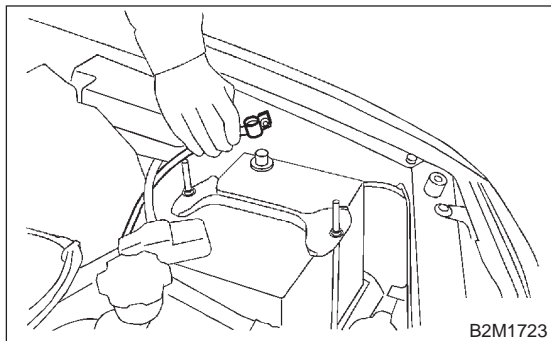


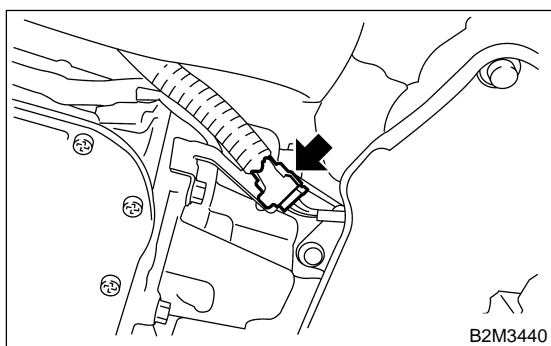
17. Rear Oxygen Sensor S105657

A: REMOVAL S105657A18

- 1) Disconnect battery ground cable.



- 2) Disconnect connector from rear oxygen sensor.



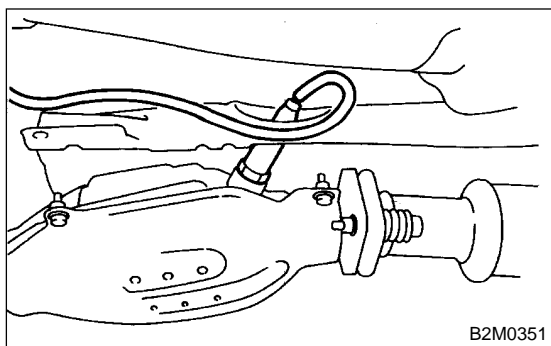
- 3) Lift-up the vehicle.
- 4) Apply SUBARU CRC or its equivalent to threaded portion of rear oxygen sensor, and leave it for one minute or more.

SUBARU CRC (Part No. 004301003)

- 5) Remove rear oxygen sensor.

CAUTION:

When removing, do not force rear oxygen sensor in an unnatural way especially when exhaust pipe is cold, otherwise it will damage exhaust pipe.



B: INSTALLATION S105657A11

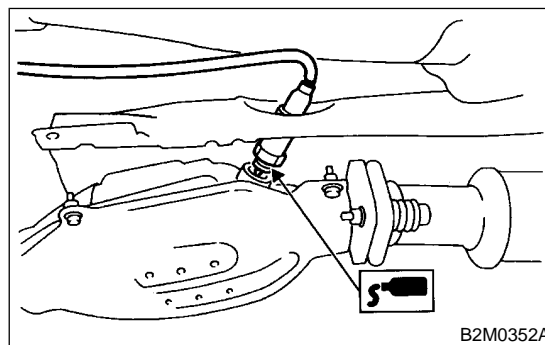
- 1) Before installing rear oxygen sensor, apply anti-seize compound only to threaded portion of rear oxygen sensor to make the next removal easier.

CAUTION:

Never apply anti-seize compound to protector of rear oxygen sensor.

Anti-seize compound:

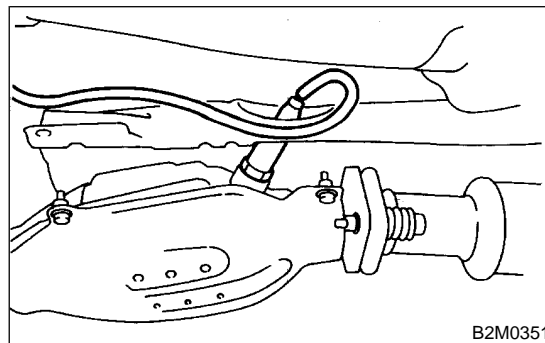
SS-30 by JET LUBE



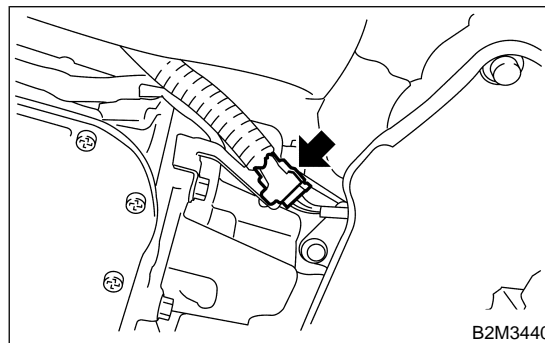
- 2) Install rear oxygen sensor.

Tightening torque:

21±3 N·m (2.1±0.3 kg·m, 15.2±2.2 ft·lb)



- 3) Connect connector to rear oxygen sensor.

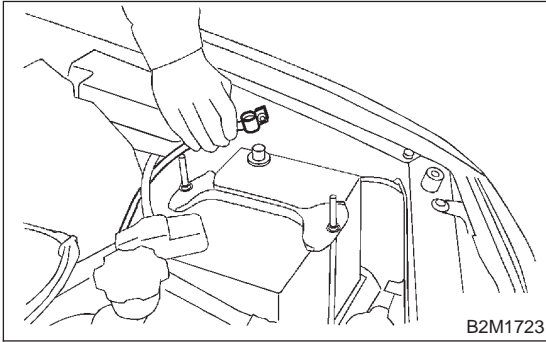


- 4) Lower the vehicle.

REAR OXYGEN SENSOR

Fuel Injection (Fuel Systems)

5) Connect battery ground cable.



FU(H4)-66