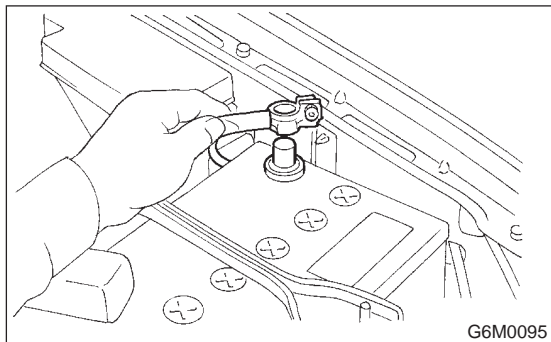


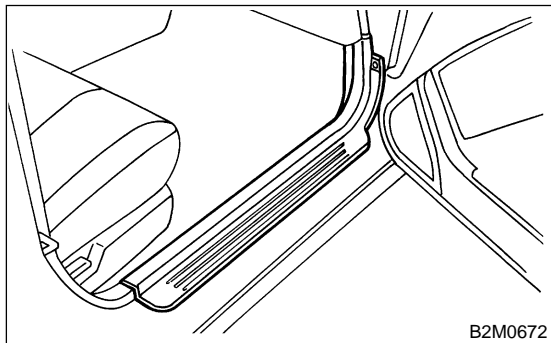
## 18. Engine Control Module S105049

### A: REMOVAL S105049A18

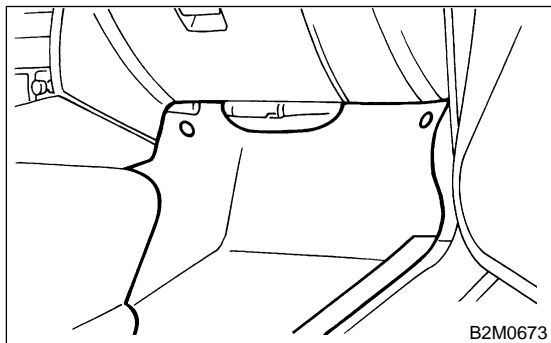
- 1) Disconnect battery ground cable.



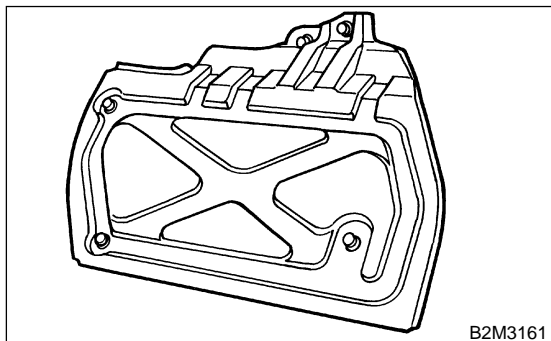
- 2) Remove lower inner trim of passenger side.  
<Ref. to EI-43 REMOVAL, Lower Inner Trim.>



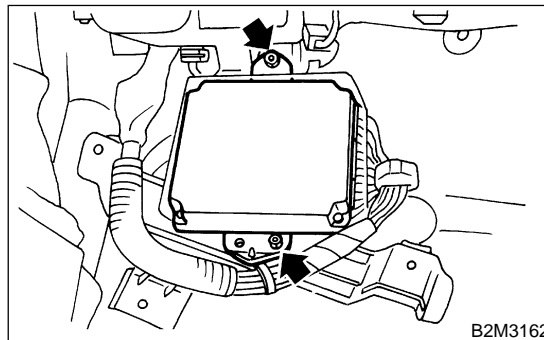
- 3) Detach floor mat of front passenger seat.



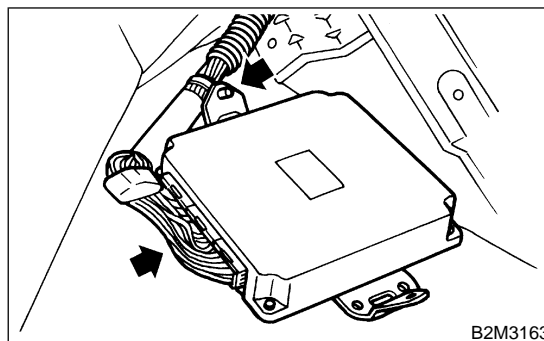
- 4) Remove protect cover.



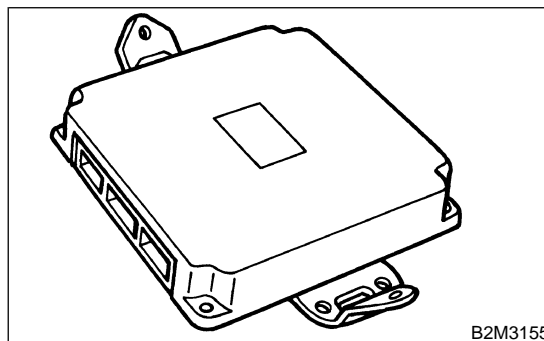
- 5) Remove nuts which hold ECM to bracket.



- 6) Remove clip from bracket.



- 7) Disconnect ECM connectors and take out ECM.



### B: INSTALLATION S105049A11

Install in the reverse order of removal.

#### CAUTION:

When replacing ECM, be careful not to use the wrong spec. ECM to avoid any damage to the fuel injection system.