

## 25. Fuel Level Sensor S105026

### A: REMOVAL S105026A18

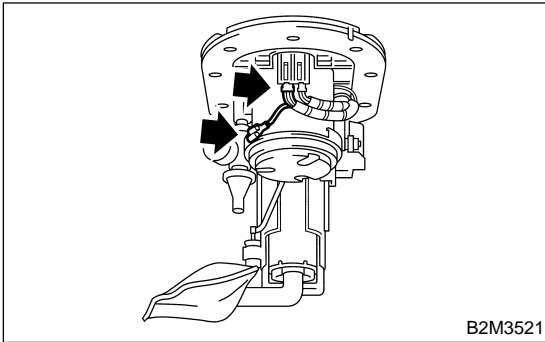
**WARNING:**

- Place “NO FIRE” signs near the working area.
- Be careful not to spill fuel on the floor.
- During work procedures, if fuel tank is more than 3/4 full, be careful because fuel may spill.

**NOTE:**

Fuel level sensor is built in fuel pump assembly.

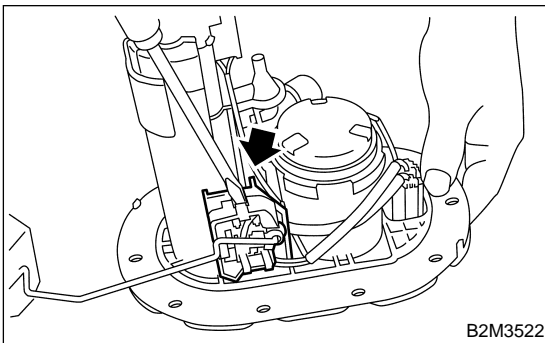
- 1) Remove fuel pump assembly. <Ref. to FU(H4)-90 REMOVAL, Fuel Pump.>
- 2) Disconnect connector from fuel pump bracket.



- 3) Pushing the pawls with a screwdriver, remove fuel meter unit by pulling it downwards.

**NOTE:**

Replace fuel filter pawls with new ones as they might brake when removed.



### B: INSTALLATION S105026A11

Install in the reverse order of removal.

**WARNING:**

- Ground cable must be connected.
- Spark may occur and ignite if fuel is nearby.

