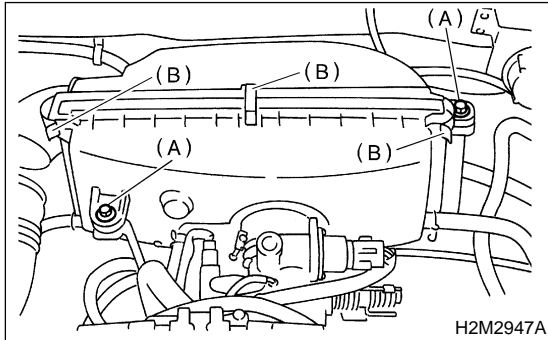


## 2. Air Cleaner S104087

### A: REMOVAL S104087A18

- 1) Remove bolt (A) which install air cleaner case to stays.
- 2) Remove the clip (B) above the air cleaner case.



- 3) Remove air cleaner.

### B: INSTALLATION S10487A11

Install in the reverse order of removal.

#### CAUTION:

Fasten with a clip after inserting the lower tab of the case.

### C: INSPECTION S104087A10

Replace if excessively damaged or dirty.