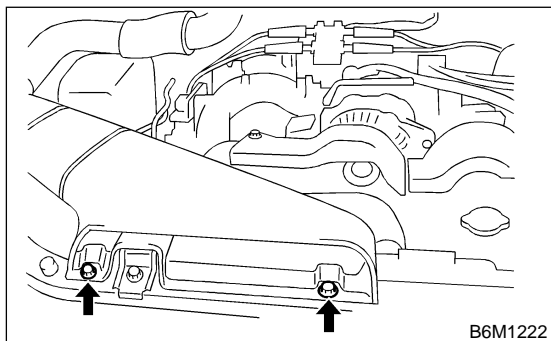


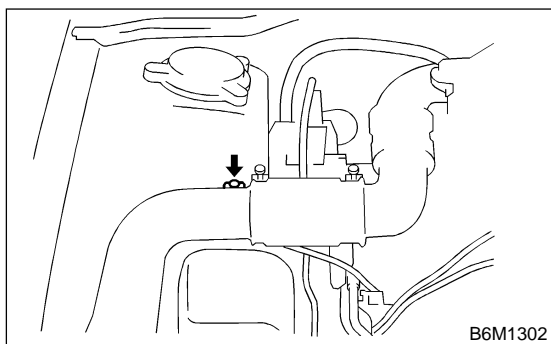
4. Air Intake Duct S104566

A: REMOVAL S104566A18

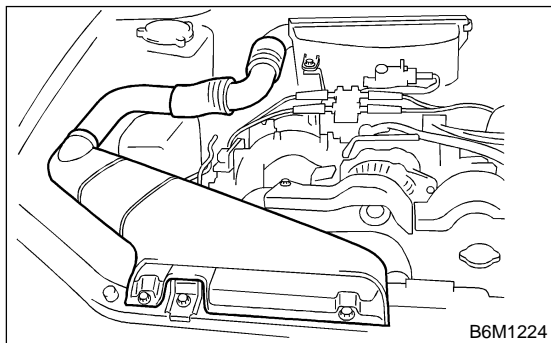
1) Remove bolts which install air intake duct on the front side of body.



2) Remove bolt which installs air intake duct on body.



3) Remove air intake ducts as a unit.



B: INSTALLATION S104566A11

Install in the reverse order of removal.

C: INSPECTION S104566A10

Inspect for cracks and loose connections. Check that no foreign objects are mixed in the air intake duct.