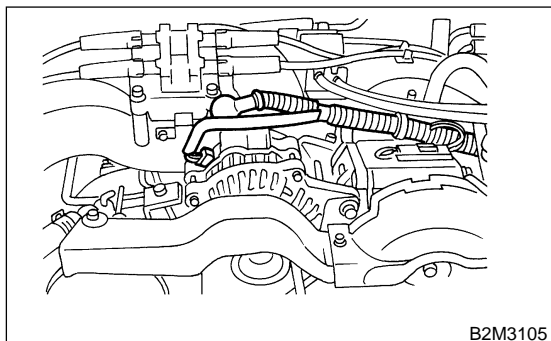


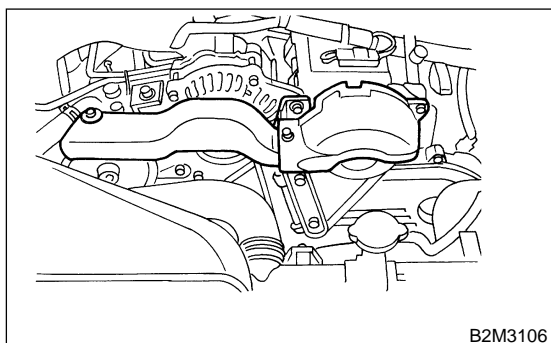
## 6. Oil Pressure Switch S108069

### A: REMOVAL S108069A18

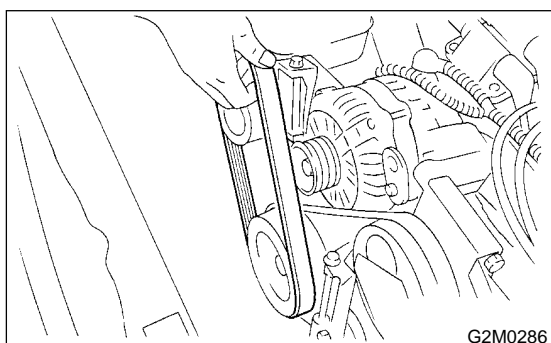
- 1) Remove generator from bracket.
  - (1) Disconnect connector and terminal from generator.



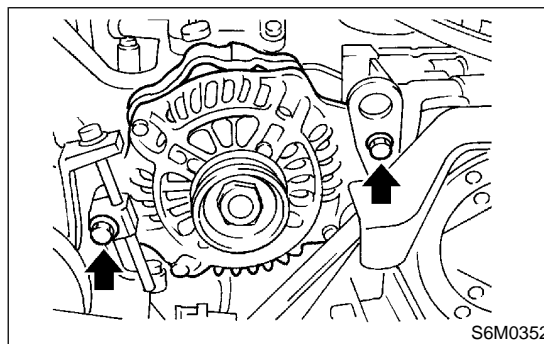
- (2) Remove V-belt cover.



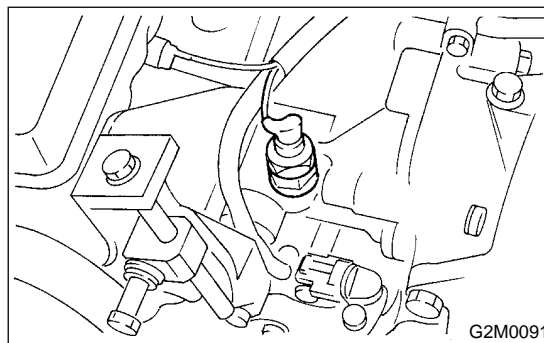
- (3) Loosen lock bolt and slider bolt, and remove front side V-belt.



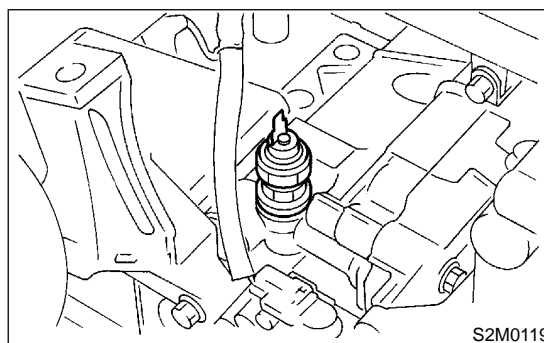
- (4) Remove bolts which install generator on bracket.



- 2) Disconnect terminal from oil pressure switch.



- 3) Remove oil pressure switch.



# OIL PRESSURE SWITCH

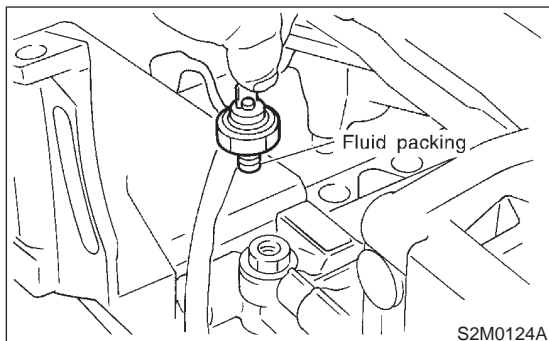
Lubrication

## B: INSTALLATION S108069A11

1) Apply fluid packing to oil pressure switch threads.

**Fluid packing:**

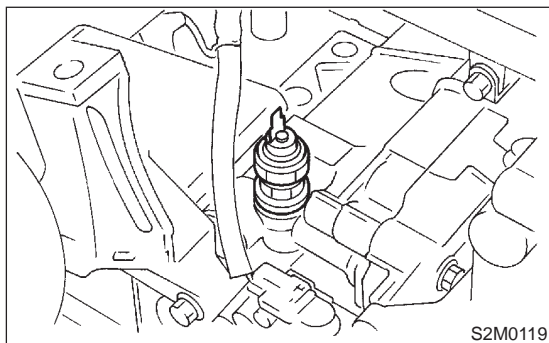
**THREE BOND 1215 or equivalent**



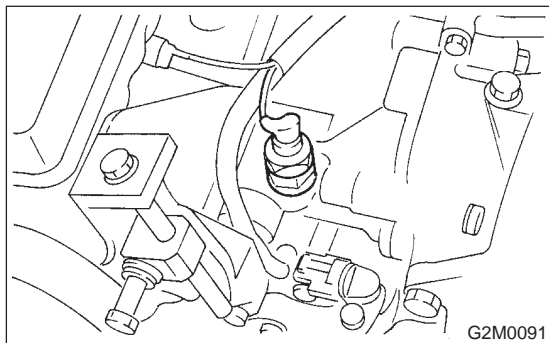
2) Install oil pressure switch onto engine block.

**Tightening torque:**

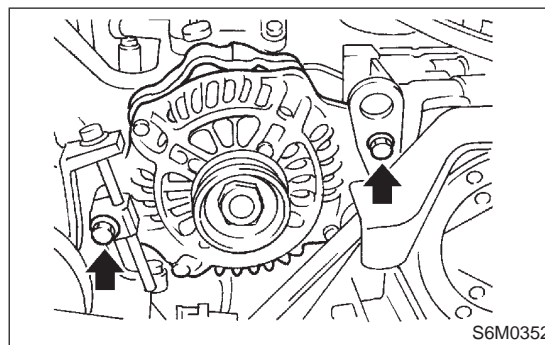
**25 N·m (2.5 kgf·m, 18.1 ft·lb)**



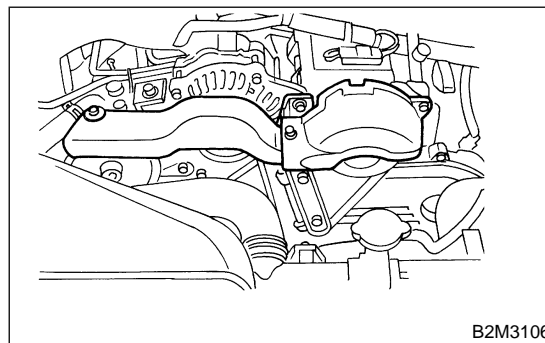
3) Connect terminal of oil pressure switch.



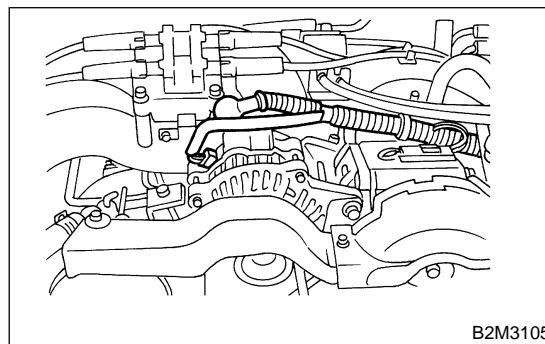
4) Install generator on bracket and temporarily tighten installing bolts.



5) Install front side V-belt and adjust it.  
<Ref. to ME(H4)-43 INSTALLATION, V-belt.>  
6) Install V-belt cover.



7) Connect connector and terminal to generator.



## C: INSPECTION S108069A10

Make sure oil does not leak or seep from where the oil pressure switch is installed.