

IDENTIFICATION

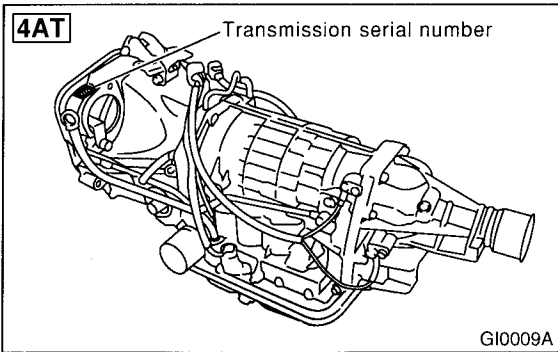
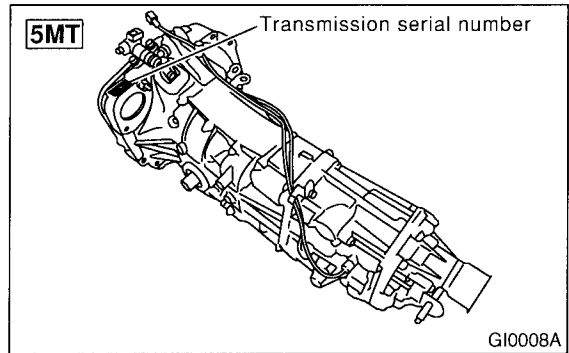
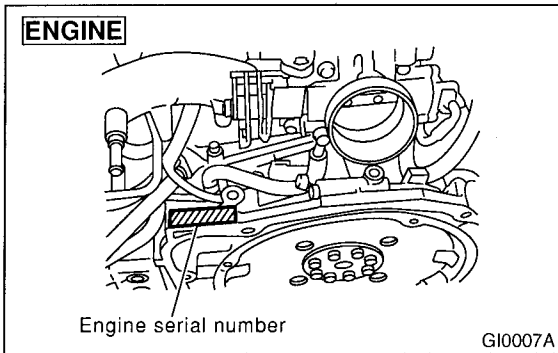
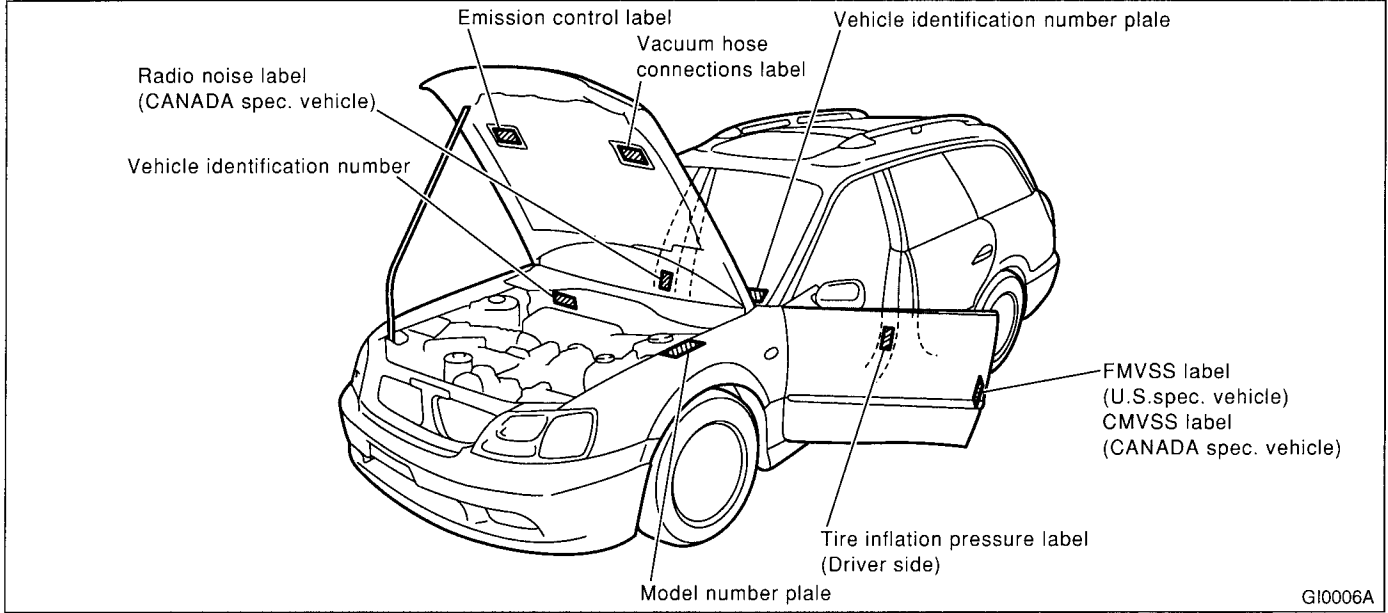
Identification

1. Identification SA06679

A: IDENTIFICATION SA06679F70

1. IDENTIFICATION NUMBER AND LABEL LOCATIONS SA06679F7001

The VIN (Vehicle Identification Numbers) is used to classify the vehicle.
Positioning of the plate label for identification



IDENTIFICATION

Identification

2. MEANING OF V.I.N. SA06679F7002

The meaning of the VIN is as follows:

● North America

J4S3BE635X17200001

The starting and ending brackets ([]) are stop marks.

Digits	Code	Meaning	Details
1 to 3	4S3	Manufacturer body area	Passenger car, SIA made, For US/Canada/Taiwan/Chile
4	B	Car line	Legacy/OUTBACK series
5	E	Body type	E: Sedan/OUTBACK Sedan H: Station Wagon/OUTBACK
6	6	Displacement	6: 2.5 L AWD 8: 3.0 L AWD
7	3	Grade	2: Brighton 3: L 4: GT 5: GT-LTD 6: OUTBACK 7: OUTBACK-cold weather 8: OUTBACK-LTD 9: OUTBACK-6 cylinders 0: OUTBACK-6 cylinders LL-bean
8	5	Restraint	5: Manual belts, dual airbag 6: Manual belts, dual airbag, side airbag
9	X	Check digit	
10	1	Model year	1: 2001MY 2: 2002MY
11	7	Transmission type	6: Full-time AWD 5-speed MT 7: Full-time AWD 4-speed AT
12 to 17	200001	Manufacture number	From 200001: Sedan/OUTBACK Sedan From 300001: Station Wagon From 600001: OUTBACK

IDENTIFICATION

Identification

3. MODEL NUMBER PLATE SA06679F7003

The model number plate indicates: the applied model, the option code, the trim code, the engine type, the transmission type, and the exterior color code. This information is helpful when placing orders for parts.

BE9BY3J

Digits	Code	Meaning	Details
1	B	Series	B: Legacy/OUTBACK
2	E	Body style	E: Sedan/OUTBACK Sedan H: Station Wagon/OUTBACK
3	9	Engine displacement Drive system Suspension system	9: 2.5 L AWD E: 3.0 L AWD
4	B	Minor change	SIA made 2001MY (SIA made)
5	Y	Destination	K: Right-hand drive for general market L: Left-hand drive for general market Y: Left-hand drive for United States, Canada, and Taiwan
6	3	Grade	SIA made 1: Brighton 3: L 4: OUTBACK 5: GT 6: GT-LTD 9: OUTBACK Sedan-LTD A: OUTBACK-cold weather B: OUTBACK-LTD C: OUTBACK-6 cylinders D: OUTBACK-6 cylinders LL-bean
7	J	Transmission, fuel feed system	E: DOHC MPI 4-speed AT J: SOHC MPI center differential AWD R: SOHC MPI 4-speed AT

The engine and transmission type are as follows:

● Engine

EZ30DAXBBB

Digits	Code	Meaning	Details
1 and 2	EZ	Engine type	EJ: 4 cylinders EZ: 6 cylinders
3 and 4	30	Displacement	20: 2.0 L 25: 2.5 L 30: 3.0 L
5	D	Fuel feed system	1: D-MPI SOHC-A phase-2 or-3 2: D-MPI SOHC-B phase-2 or-3 3: MPI SOHC phase-2 or-3 D: D-MPI DOHC 6 cylinders phase-3
6	A	Exhaust regulations	A: US Federal & California C: US California L: ADR (Australia) M: Germany N: Switzerland, Austria R: Europe
7	X	Transmission	W: AWD MT X: AWD AT
8 to 10	BBB	Detailed specifications	Used when ordering parts. See the parts catalog for details.

IDENTIFICATION

Identification

● Transmission

TV1A4YCAAA

Digits	Code	Meaning	Details
1	T	Transmission	T: Transmission
2	V	Transmission type	Y: Full-time AWD MT center differential V: Full-time AWD AT VTD Z: Full-time AWD AT MPT
3 and 4	1A	Classification	75: MT 1A: New AT
5	4	Series	4: 3rd Generation Legacy
6	A	Transmission specifications	V: Full-time AWD 5-speed MT with viscous coupling center differential single range X: Full-time AWD 5-speed MT with viscous coupling center differential dual range Z: Full-time AWD 4-speed AT with MPT Y: Full-time AWD 4-speed AT with VTD
7	C	Mounted body	C: US 2.5 L SOHC M: US 3.0 L DOHC R: General 2.0 L SOHC F: General 2.5 L SOHC P: General 3.0 L DOHC
8 to 10	AAA	Detailed specifications	Used when ordering parts. See the parts catalog for details.

● Rear differential 1

VA1REF

Digits	Code	Meaning	Details
1	V	For AWD	V: AED
2	A	Type	A: A type
3	1	Hypoid gear diameter	1: 152 dia. 2: 160 dia.
4	R	Installation position	R: Rear
5	E	Reduction gear ratio	E: 4.111 F: 4.444
6	F	Specification differences	F: Case A G: Case B H: Case B with cooling fin

● Rear differential 2

T1

Code	Reduction gear ratio	LSD
T1	3.900	No
T2	4.111	No
TP	4.444	No
BK	4.111	Viscous
BP	4.111	Viscous strengthened type
BL	4.444	Viscous strengthened type
CD	4.444	Viscous
VB	3.700	No