

## 17. Front & Rear Differential Oil

SA07693

### A: REPLACEMENT

SA07693A20

#### 1. FRONT DIFFERENTIAL (MANUAL TRANSMISSION)

SA07693A2001

For M/T vehicle, manual transmission oil works as differential oil to lubricate differential. Refer to "Transmission Oil". <Ref. to PM-21 MANUAL TRANSMISSION, REPLACEMENT, Transmission Oil.>

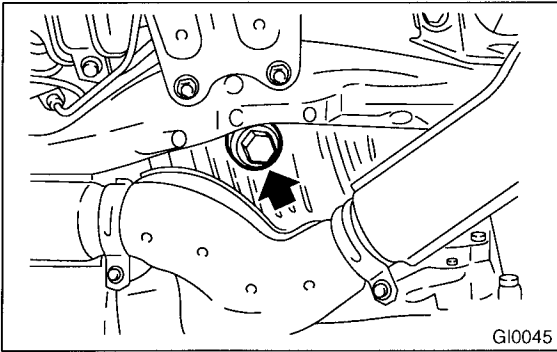
#### 2. FRONT DIFFERENTIAL (AUTOMATIC TRANSMISSION)

SA07693A2002

1) Drain differential gear oil by removing drain plug after allowing the engine to cool for 3 to 4 hours.

**NOTE:**

Before starting work, cool off the engine well.



2) Reinstall drain plug after draining differential gear oil and tighten it to the specified torque.

**Tightening torque:**

**44 N·m (4.5 kgf·m, 32.5 ft·lb)**

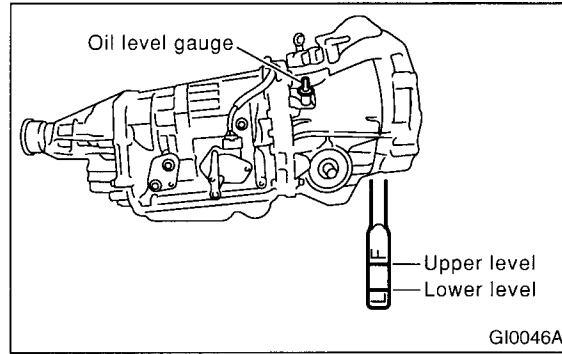
**NOTE:**

- Be sure to place a gasket between the transmission case and drain plug.
- Replace the gasket with a new one.
- Each oil manufacturer has its base oil and additives. Thus, do not mix two or more brands.

3) Fill differential gear oil through the oil level gauge hole up to the upper point of level gauge.

**Differential gear oil capacity:**

**1.1 — 1.3 l (1.2 — 1.4 US qt, 1.0 — 1.1 Imp qt)**



#### 3. REAR DIFFERENTIAL

SA07693A2003

- 1) Drain oil by removing drain plug.
- 2) Remove filler plug for quick draining oil.
- 3) Tighten drain plug after draining oil.

**NOTE:**

Apply fluid packing to drain plug threads before installation.

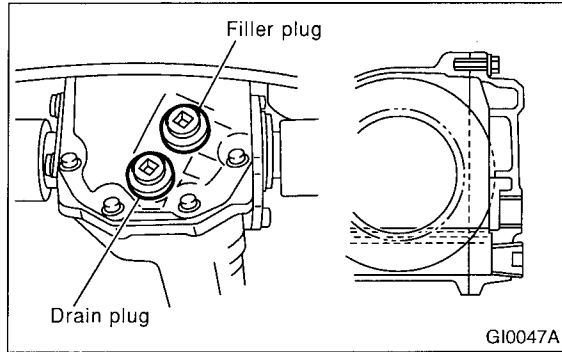
**Fluid packing:**

**Three Bond 1105**

**Tightening torque:**

**44.1 N·m (4.5 kgf·m, 32.5 ft·lb)**

4) After installing drain plug onto rear differential gear case firmly, fill oil up fully to the mouth of filler plug.



**Oil capacity:**

**0.8 l (0.8 US qt, 0.7 Imp qt)**

**NOTE:**

Each oil manufacturer has its base oil and additives. Thus, do not mix two or more brands.

5) Install filler plug onto rear differential gear case firmly.

**NOTE:**

Apply fluid packing to filler plug before installation.

**Fluid packing:**

**Three Bond 1105**

**Tightening torque:**

**44.1 N·m (4.5 kgf·m, 32.5 ft·lb)**