

# WHEEL BEARING

Periodic Maintenance Services

## 23. Wheel Bearing SA0769B

### A: INSPECTION SA07698A10

#### 1. FRONT WHEEL BEARING SA07698A1001

##### NOTE:

Inspect the condition of front wheel bearing grease.

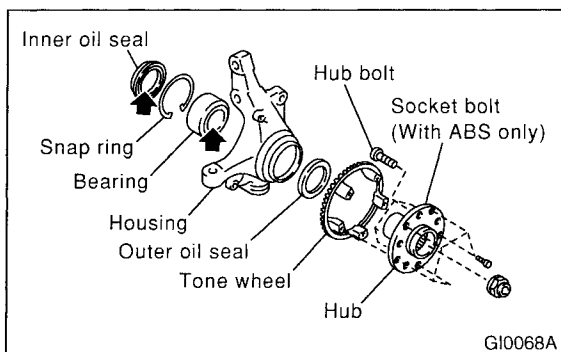
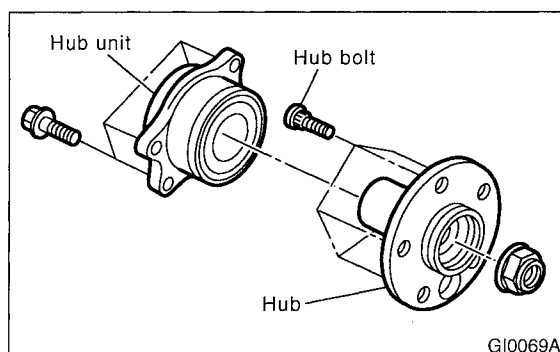
- 1) Jack up the front of vehicle.
- 2) While holding front wheel by hand, swing it in and out to check bearing free play.
- 3) Loosen wheel nuts and remove front wheel.
- 4) If bearing free play exists in step 2) above, attach a dial gauge to hub and measure axial displacement in axial direction.

##### Service limit:

**Straight-ahead position within 0.05 mm  
(0.0020 in)**

- 5) Remove bolts and self-locking nuts, and extract transverse link from front crossmember.
- 6) While lightly hammering spring pin which secures S.F.J. to transmission spindle, remove it.
- 7) Extract S.F.J. from transmission spindle. <Ref. to DS-16 Front Axle.>
- 8) While supporting front drive shaft horizontally with one hand, turn hub with the other to check for noise or binding.  
If hub is noisy or binds, disassemble front axle and check condition of oil seals, bearing, etc.

- 6) While supporting rear drive shaft horizontally with one hand, turn hub COMPL with the other to check for noise or binding.  
If hub COMPL is noisy or binds, disassemble rear axle and check condition of oil seals, bearings, etc.



#### 2. REAR WHEEL BEARING SA07698A1002

- 1) Jack up the rear of vehicle.
- 2) While holding rear wheel by hand, swing it in and out to check bearing free play.
- 3) Loosen wheel nuts and remove rear wheel.
- 4) If bearing free play exists in step 2) above, attach a dial gauge to hub COMPL and measure axial displacement in axial direction.

##### Service limit:

**Straight-ahead position within 0.05 mm  
(0.0020 in)**

- 5) Remove the DOJ of rear drive shaft from rear differential. <Ref. to DS-33 Rear Drive Shaft.>