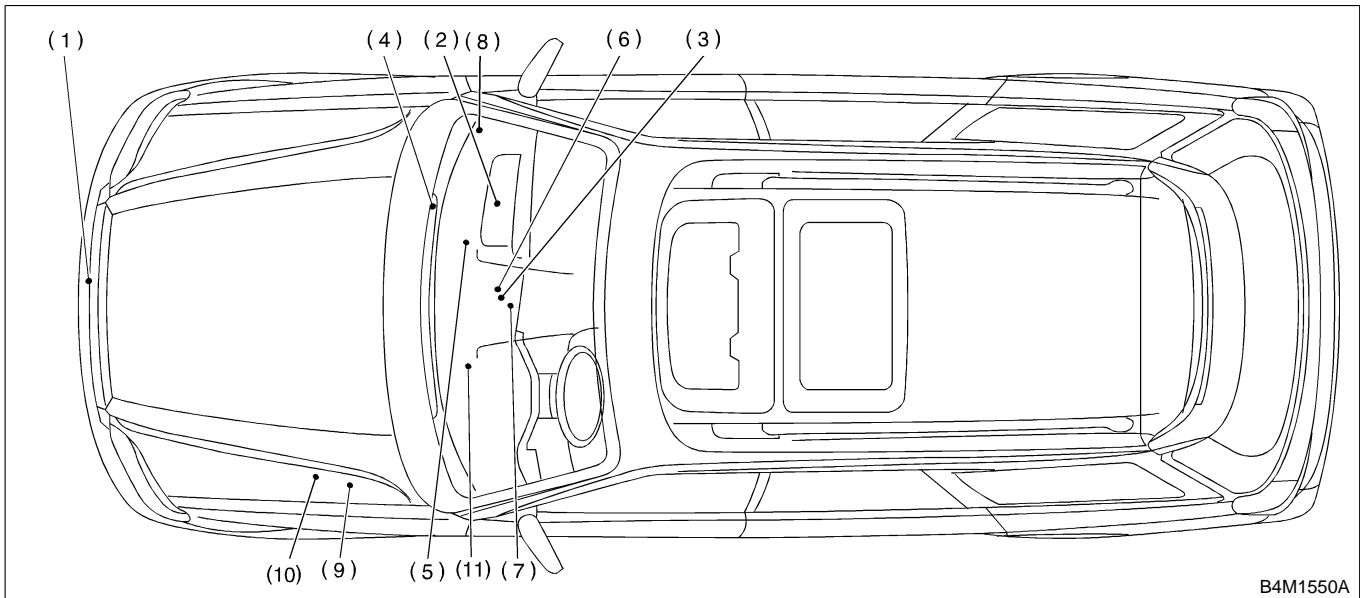


ELECTRICAL COMPONENTS LOCATION

HVAC System (Auto A/C) (DIAGNOSTICS)

3. Electrical Components Location S001507

A: LOCATION S001507A13



- (1) Ambient sensor
- (2) Power transistor
- (3) In-vehicle sensor
- (4) Sunload sensor

- (5) Evaporator sensor
- (6) Auto A/C control module
- (7) Air mix door motor
- (8) Intake door motor

- (9) A/C relay
- (10) A/C fuse
- (11) Mode door motor