

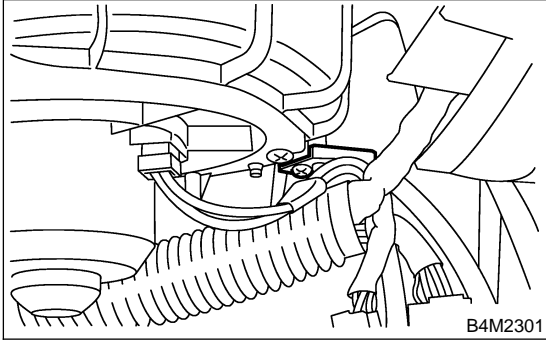
BLOWER MOTOR ASSEMBLY

HVAC System (Heater, Ventilator and A/C)

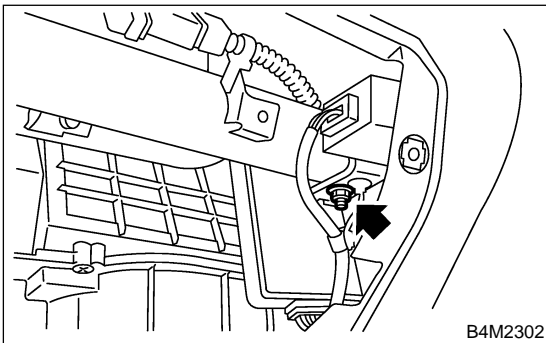
8. Blower Motor Assembly S701295

A: REMOVAL S701295A18

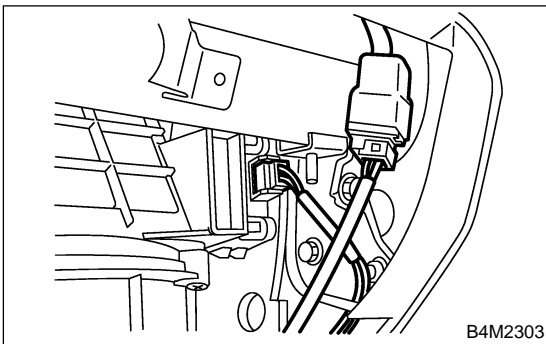
- 1) Disconnect ground cable from battery.
- 2) Remove glove box. <Ref. to EI-34 REMOVAL, Glove Box.>
- 3) Remove mounting bolts of harness stay.



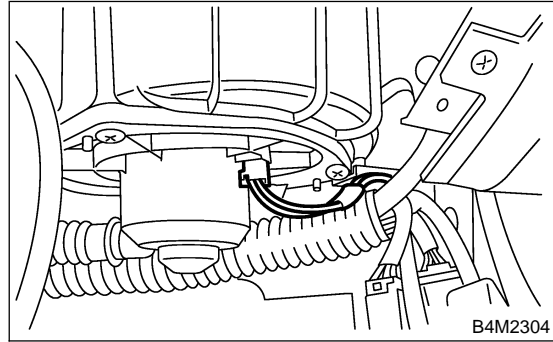
- 4) Remove nuts of keyless unit stay and CRU unit stay.



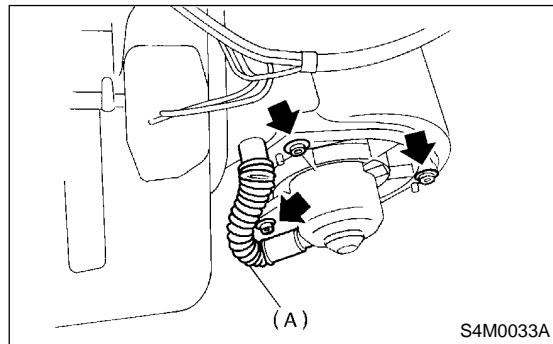
- 5) Disconnect connector of sunroof.
- 6) Disconnect servo connector.



- 7) Disconnect motor connector.



- 8) Remove 3 screws.
- 9) Disconnect aspirator pipe (A) and remove blower motor.



B: INSTALLATION S701295A11

Install in the reverse order of removal.

C: INSPECTION S701295A10

Connect motor connector terminal 1 from the battery to the positive (+) lead and terminal 2 to the negative (-) lead. Make sure the motor runs smoothly.

