

CONTROL UNIT

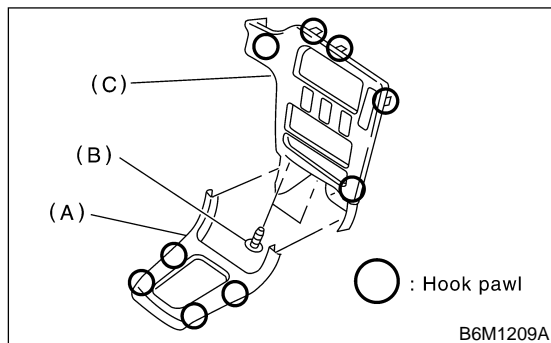
HVAC System (Heater, Ventilator and A/C)

11. Control Unit S701285

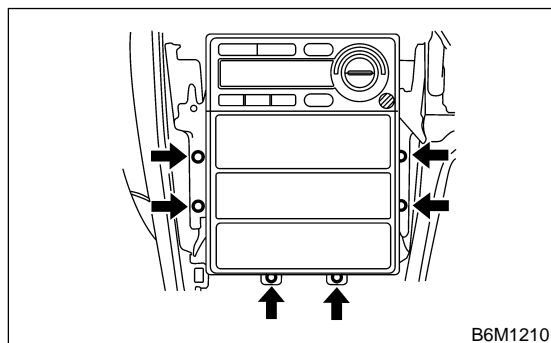
A: REMOVAL S701285A18

1. AUTO A/C S701285A1801

- 1) Disconnect ground cable from battery.
- 2) Remove front cover (A).
- 3) Loosen 2 screws (B) to remove center panel (C).



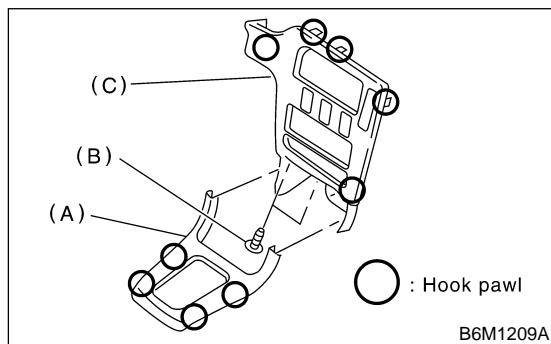
- 4) Loosen screws to pull control unit slightly out of center console.



- 5) Disconnect connector to remove control unit.

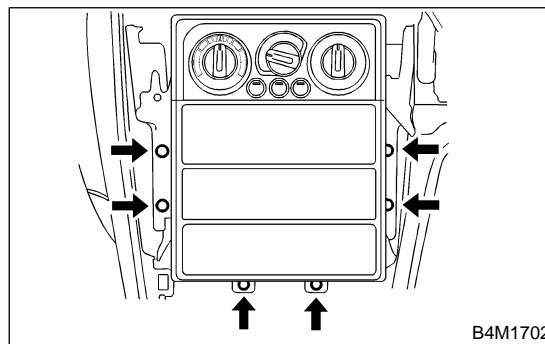
2. MANUAL A/C S701285A1802

- 1) Disconnect ground cable from battery.
- 2) Remove front cover (A).
- 3) Loosen 2 screws (B) to remove center panel (C).



- 4) Set temperature control switch to "FULL HOT", and disconnect temperature control cable from heater unit.

- 5) Loosen screws to pull control unit slightly out of center console.



- 6) Disconnect connector from antenna cable to remove control unit.

B: INSTALLATION S701285A11

1. AUTO A/C S701285A1101

Install in the reverse order of removal.

2. MANUAL A/C S701285A1102

- 1) Install in the reverse order of removal.
- 2) Before installation, set temperature control switch to "FULL HOT".