

AMBIENT SENSOR (AUTO A/C)

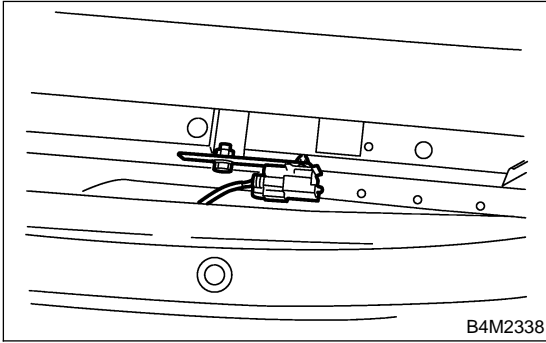
HVAC System (Heater, Ventilator and A/C)

20. Ambient Sensor (Auto A/C)

S701289

A: REMOVAL S701289A18

- 1) Open front hood.
- 2) Disconnect ground cable from battery.
- 3) Disconnect ambient sensor connector.
- 4) Remove ambient sensor from radiator lower panel.



B: INSTALLATION S701289A11

Install in the reverse order of removal.

C: INSPECTION S701289A10

<Ref. to AC-26 TROUBLE CODE 21 OR -21 (AMBIENT SENSOR), Diagnostic Procedure with Trouble Code.>