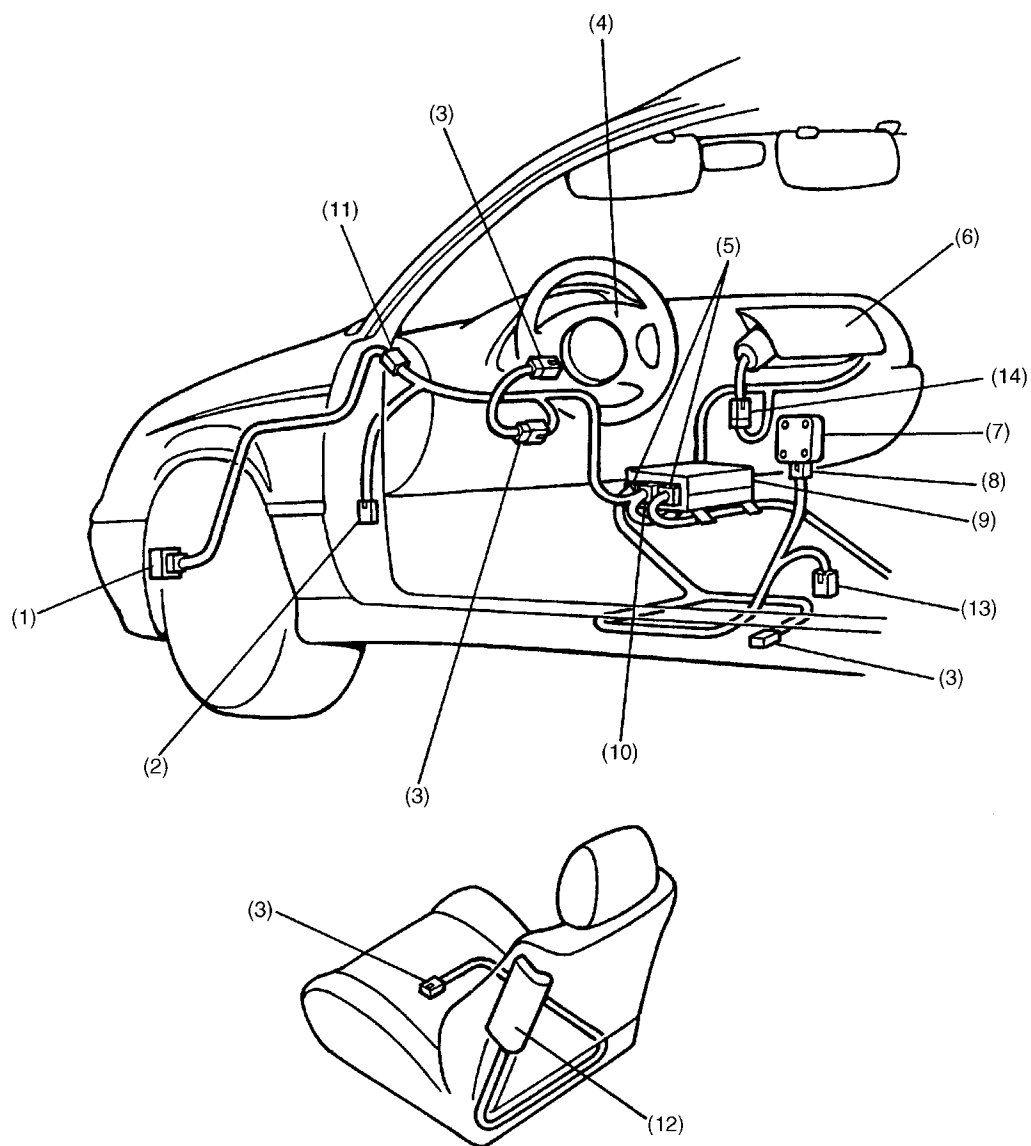


1. Airbag System

A: INSTALLATION



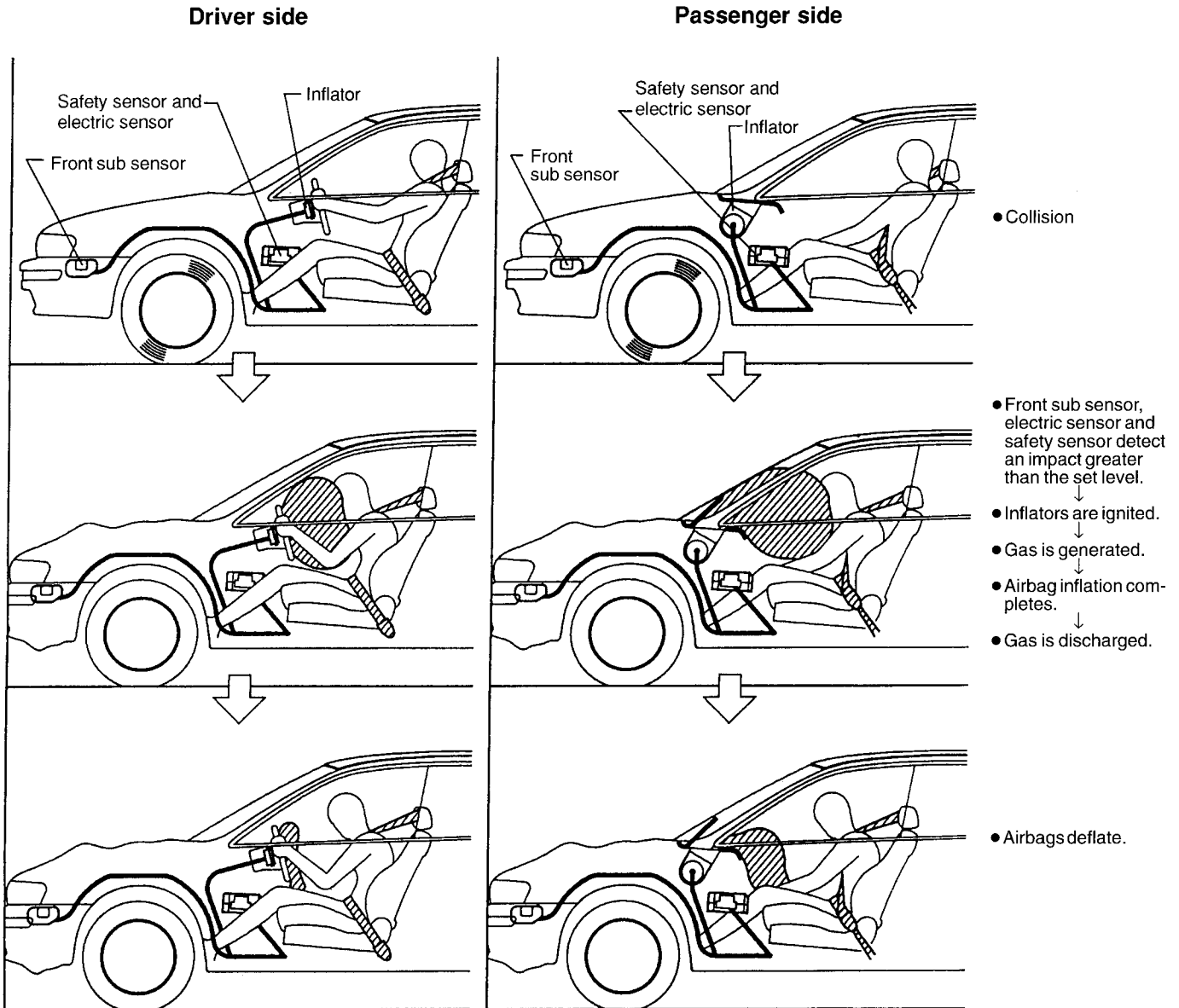
B5H0840B

- | | |
|-------------------------------|---|
| (1) Front sub sensor | (8) 4-pin connector (Yellow) |
| (2) 7-pin connector (Yellow) | (9) Airbag control module |
| (3) 2-pin connector (Yellow) | (10) 28-pin connector (Yellow) |
| (4) Airbag module (Driver) | (11) 2-pin connector (Blue) |
| (5) 12-pin connector (Yellow) | (12) Airbag module (Side) |
| (6) Airbag module (Passenger) | (13) 2-pin connector (Yellow) (To seat belt pretensioner) |
| (7) Side airbag sensor | (14) 4-pin connector (Yellow) |

B: FUNCTION

1. FRONT AIRBAGS

The airbag system is provided as a driver and front passenger restraint system supplementary to the seat belts. When an impact greater than a set level is applied to the front of the vehicle, the sensors generate an electrical pulse to inflate the airbags in the airbag modules, thus preventing the driver's and passenger's upper bodies from directly hitting against the steering wheel, instrument panel and/or windshield.

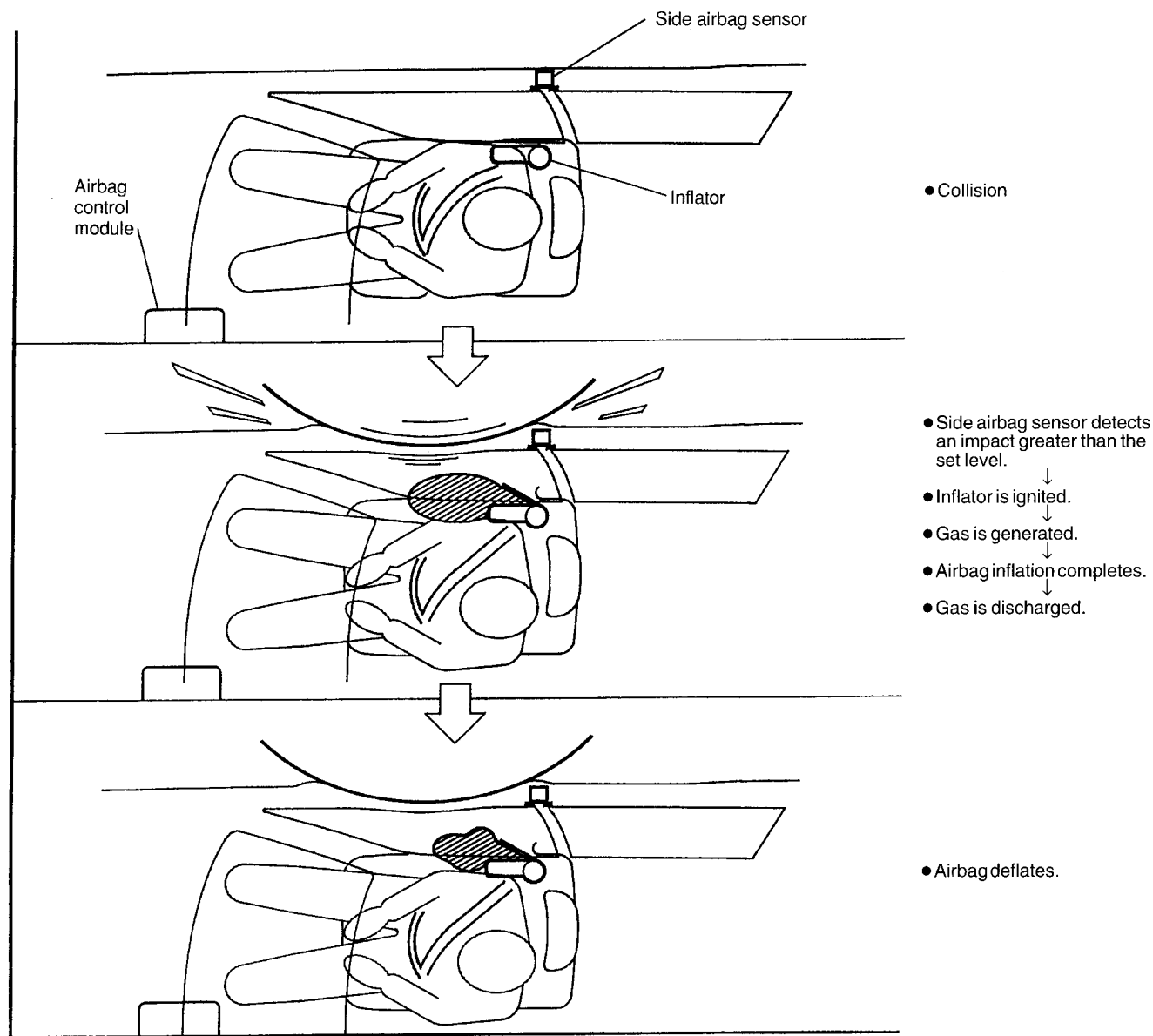


B5H0504B

AIRBAG SYSTEM

2. SIDE AIRBAGS

The side airbags provide the driver and front passenger with a restraint supplementary to that by the seat belts in the event of a side-on collision. When an impact greater than the set level is applied to either side of the vehicle, the relevant side airbag sensor sends an ignition signal to the corresponding airbag control module. The side airbag module operates to inflate the airbag, thus reducing the shock inflicted in the outside upper body (chest) of the driver or front passenger.



B5H0505B