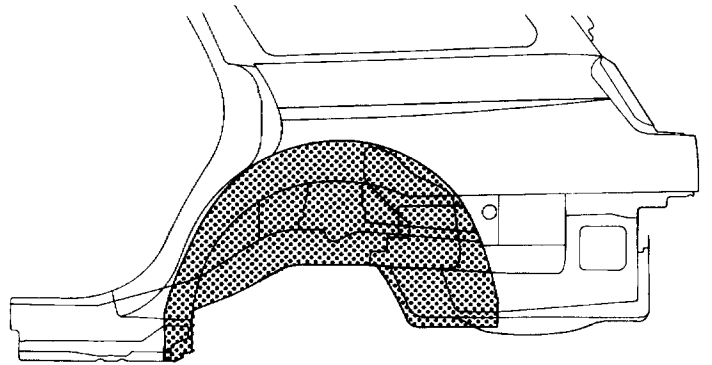
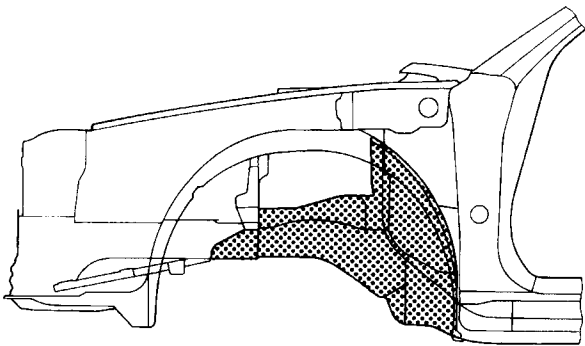
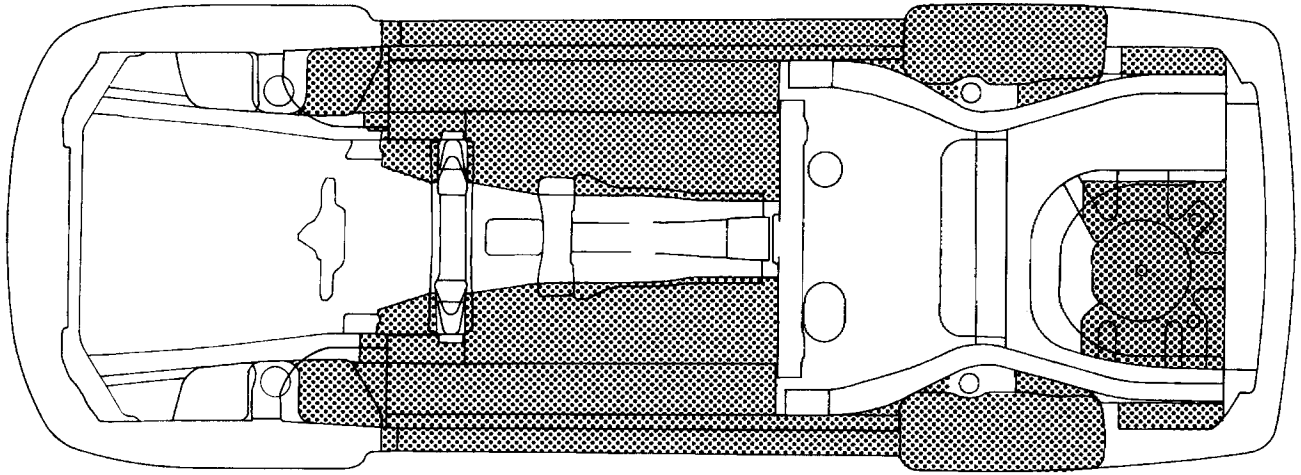


9. Polyvinyl Chloride (PVC) Application



B5H0624