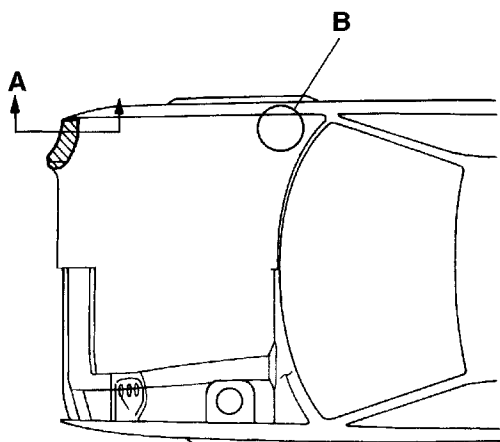
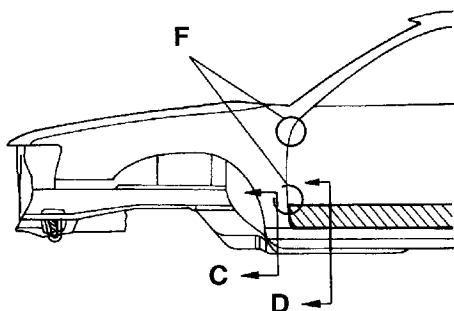
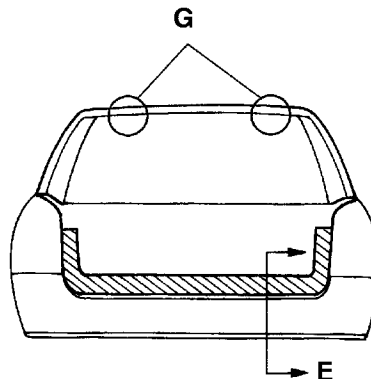


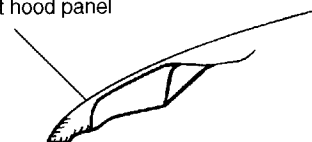
## 10. Hot Wax Application



WAGON

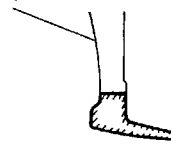


Front hood panel



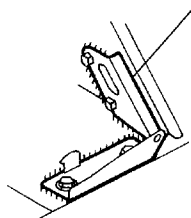
Section A

Front fender panel

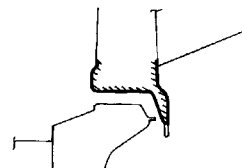


Section C

Front hood hinge

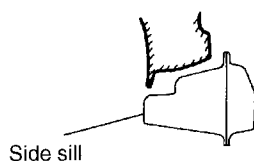


View B



Rear gate outer panel

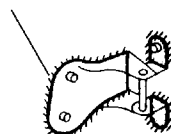
Section E



Side sill

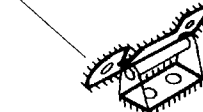
Section D

Front and rear door hinge



Section F

Rear gate hinge



Section G

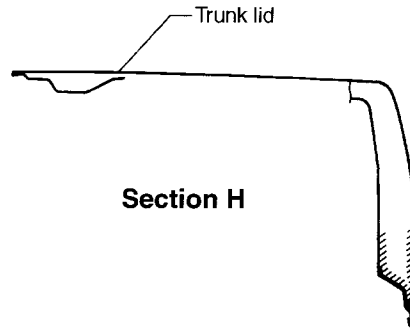
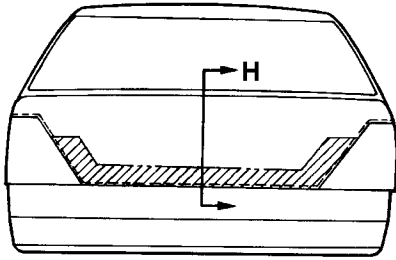
B5H0836A

# HOT WAX APPLICATION

Body Structure

---

**SEDAN**



B5H0837A