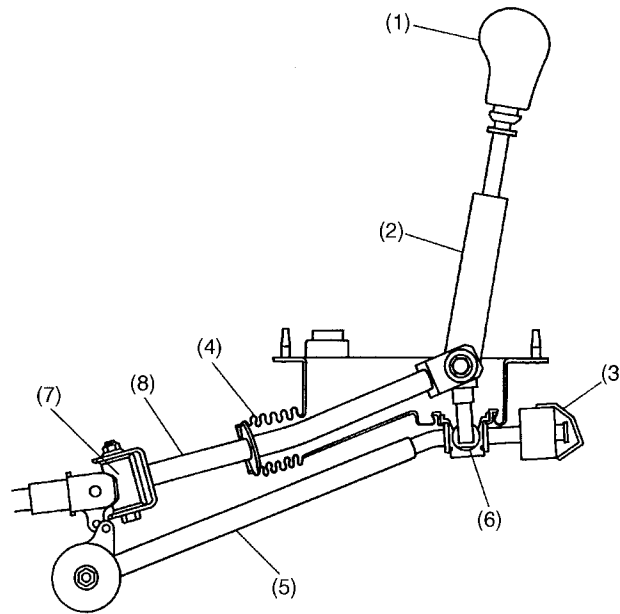


GEAR SHIFT LEVER

Control System

1. Gear Shift Lever

The manual transmission's gear shift lever system is a parallel link type whose stay is mounted through a cushion rubber.



B3H1502A

- (1) Knob
- (2) Gear shift lever
- (3) Cushion rubber
- (4) Boot

- (5) Stay
- (6) Bush
- (7) Joint
- (8) Rod