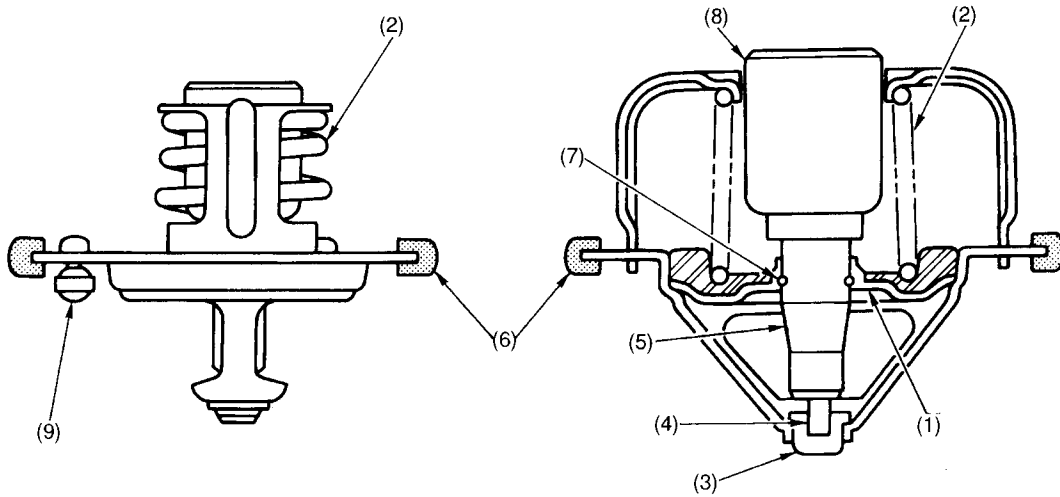


THERMOSTAT

Cooling

5. Thermostat

The thermostat has a totally-enclosed wax pellet which expands as the coolant temperature increases. It opens and closes accurately at the preset temperatures and features high durability.



(1) Valve

(2) Spring

(3) Stopper

(4) Piston

(5) Guide

(6) Rubber packing

(7) Stop ring

(8) Wax element

(9) Jiggle valve

H2H2326