

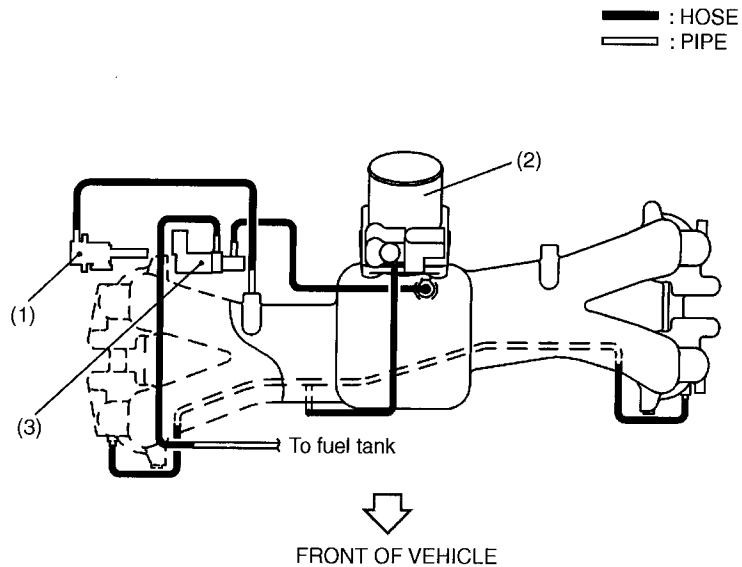
VACUUM CONNECTIONS

Emission Control (Aux. Emission Control Devices)

9. Vacuum Connections

The hose and pipe connections of the intake manifold, throttle body and other related parts are as shown in the illustration.

A: MT VEHICLES



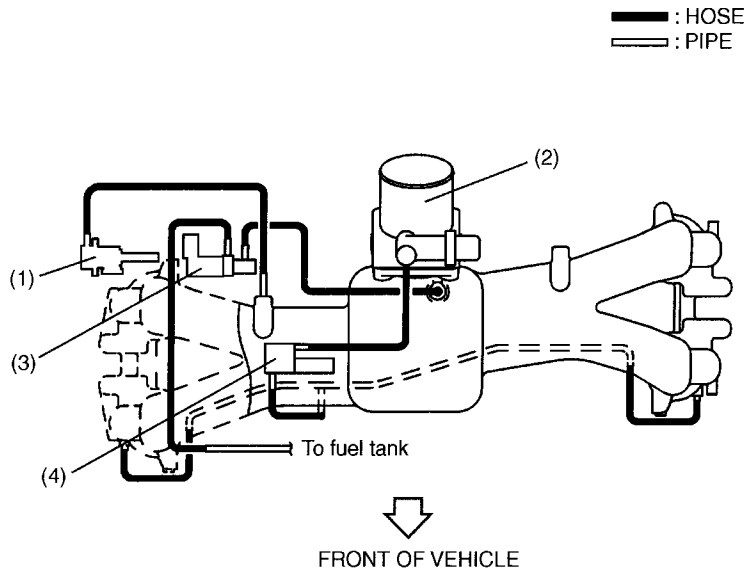
B2H3539A

- (1) Pressure regulator
- (2) Throttle body
- (3) Purge control solenoid valve

VACUUM CONNECTIONS

Emission Control (Aux. Emission Control Devices)

B: AT VEHICLES



B2H3540A