

# POWER WINDOW

Glass/Windows/Mirrors

## 1. Power Window

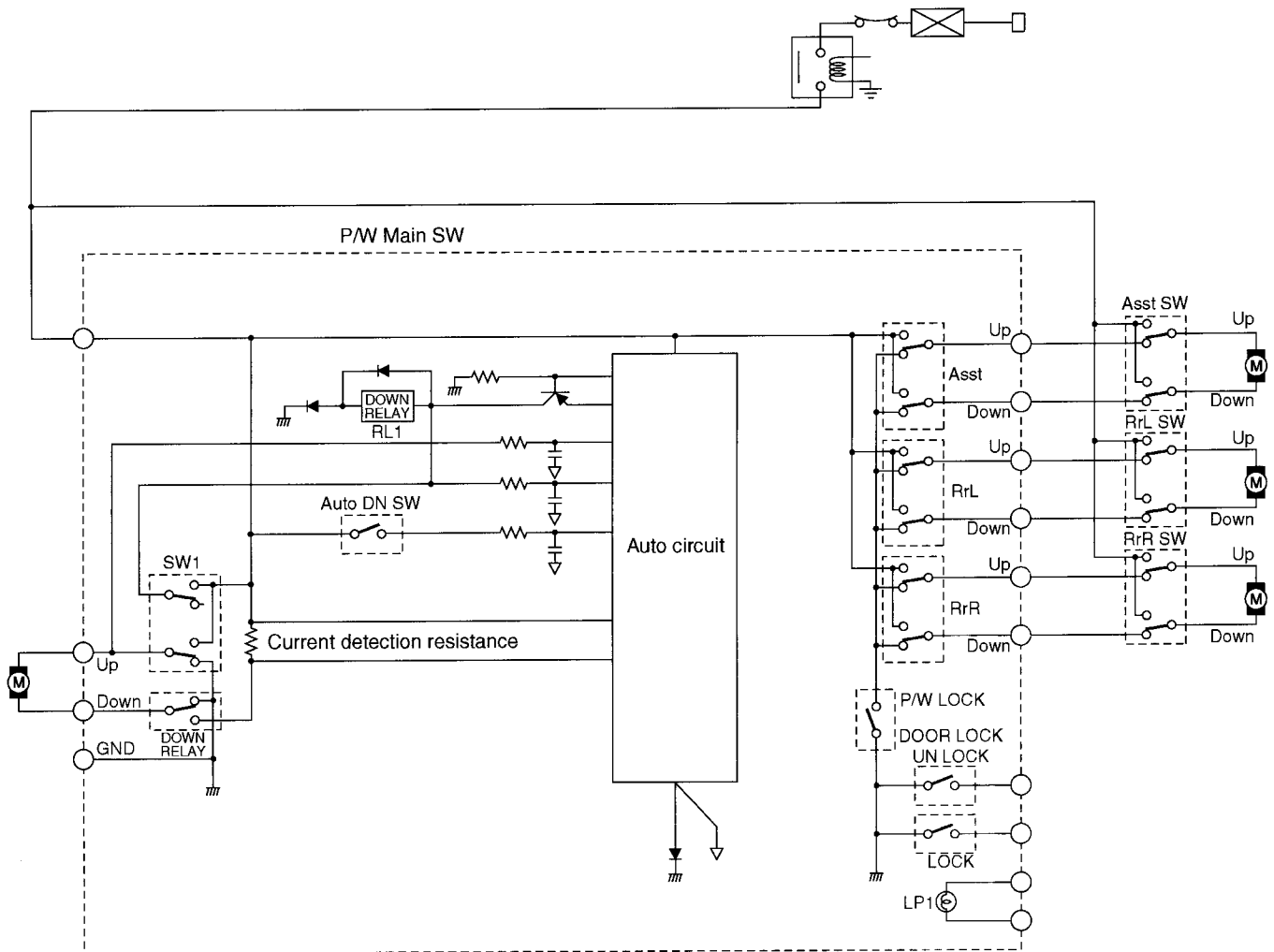
### A: CONSTRUCTION

- The power window system consists of regulator motors and switches for individual doors, relays and a circuit breaker unit.
- Each door window opens/closes by pushing down/pulling up the switch.
- Only the driver's door window switch has a 2-stage mechanism:
  - When the switch is pushed lightly and held in the pushed position, the window continues to lower until the switch is released.
  - When the switch is pushed down fully, the window lowers to the end position automatically.

### NOTE:

For the sake of safety, the power window system is designed to operate only when the ignition switch is in the ON position.

### B: CIRCUIT DIAGRAM



B6H1306A