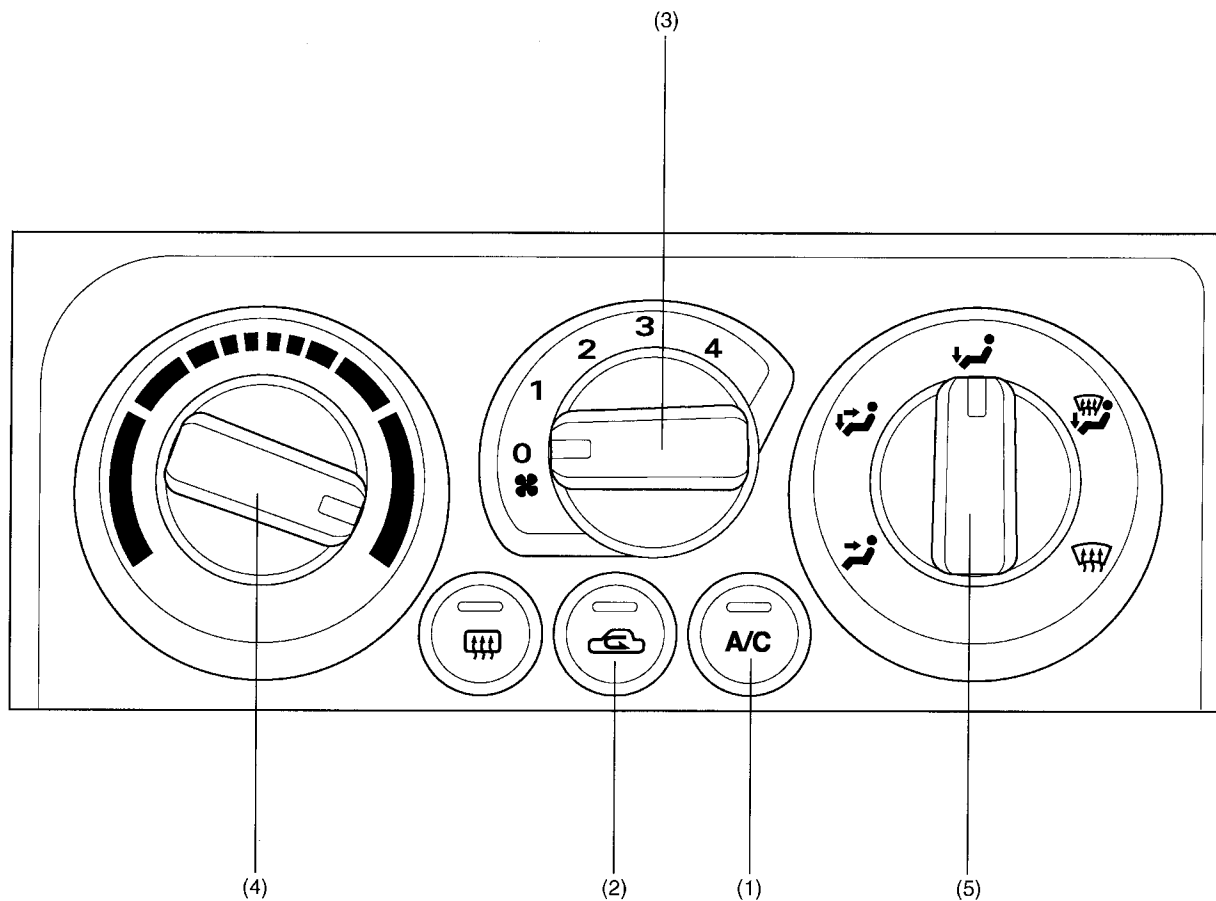


# SWITCH FUNCTIONS

HVAC System (Heater, Ventilator and A/C)

## 2. Switch Functions



(1)	Air conditioner switch	Indicator	*ON	OFF			
		Compressor	ON	OFF			
		*: When the fan switch is turned ON, the indicator and compressor also turn ON.					
(2)	Recirculation switch	Indicator	ON		OFF		
		Intake door position	Recirc		Fresh		
(3)	Fan switch	Switch position	1	2	3	4	
		Fan speed	1st (slow)	2nd	3rd	4th (fast)	
(4)	Temperature control switch	Any temperature can be selected between COLD and HOT.					
(5)	Mode selector switch	Switch position					
		Air outlet	Ventilator	Ventilator and heater	Heater	Defroster and heater	Defroster

B4H1503B