

RECEIVER DRIER

HVAC System (Heater, Ventilator and A/C)

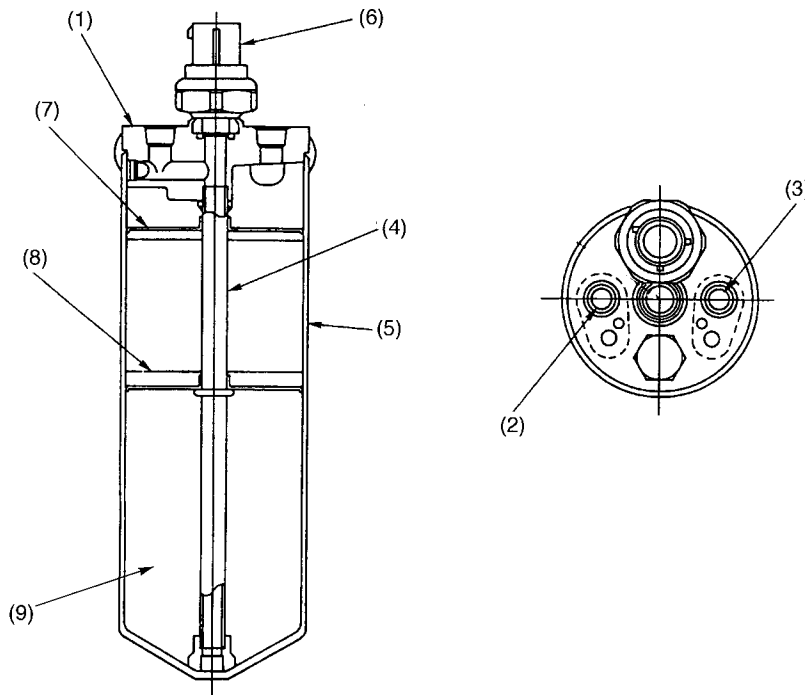
11. Receiver Drier

A: MECHANISM

The amount of refrigerant necessary to circulate in the system varies with change in the heat load. The receiver drier stores part of the liquid refrigerant until an increased heat load requires its use again. The receiver drier also has the following functions:

- 1) It removes bubbles from the liquid refrigerant. (If bubbles are present, the refrigerant passing through the expansion valve varies in quantity, temperature, and pressure, resulting in insufficient cooling.)
- 2) It removes moisture from the refrigerant.
- 3) It removes foreign substance from the refrigerant.

The receiver drier contains a strainer to remove foreign substance and desiccant to absorb moisture from refrigerant.



B4H0171D

- (1) Head block
- (2) Inlet
- (3) Outlet
- (4) Inside pipe
- (5) Body

- (6) Pressure switch
- (7) Strainer
- (8) Strainer cushion
- (9) Desiccant