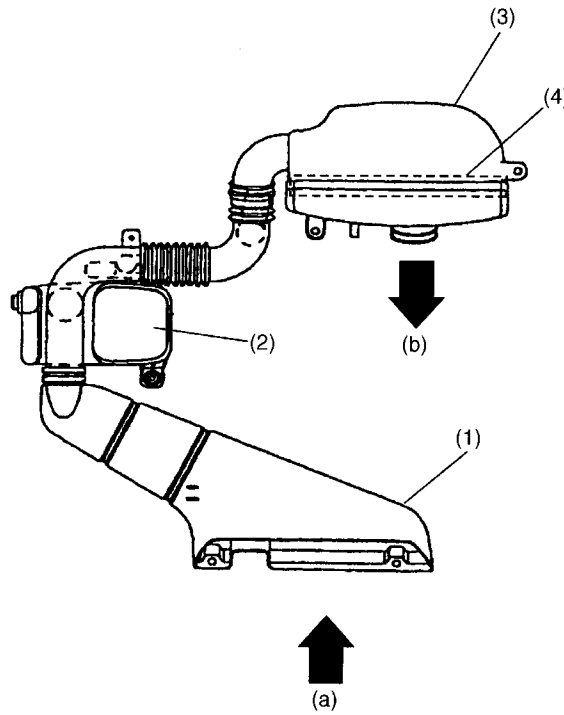


1. General

The intake system consists of an air intake duct, a resonator chamber, and an air cleaner housed in its case. The resonator, located upstream of the air cleaner, effectively reduces the intake noise level.



- (1) Air intake duct
- (2) Resonator chamber
- (3) Air cleaner case
- (4) Air cleaner

- (a) Fresh air
- (b) To throttle body

B2H3977A