

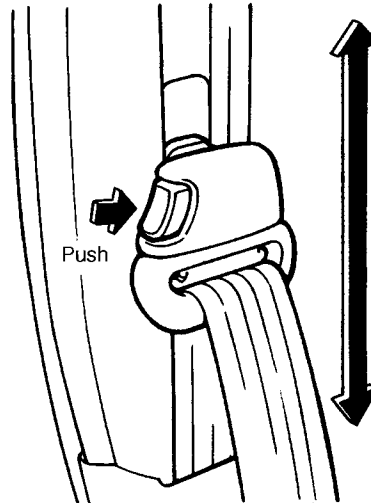
SEAT BELT

Seat Belt System

1. Seat Belt

A: ADJUSTABLE SHOULDER BELT ANCHOR

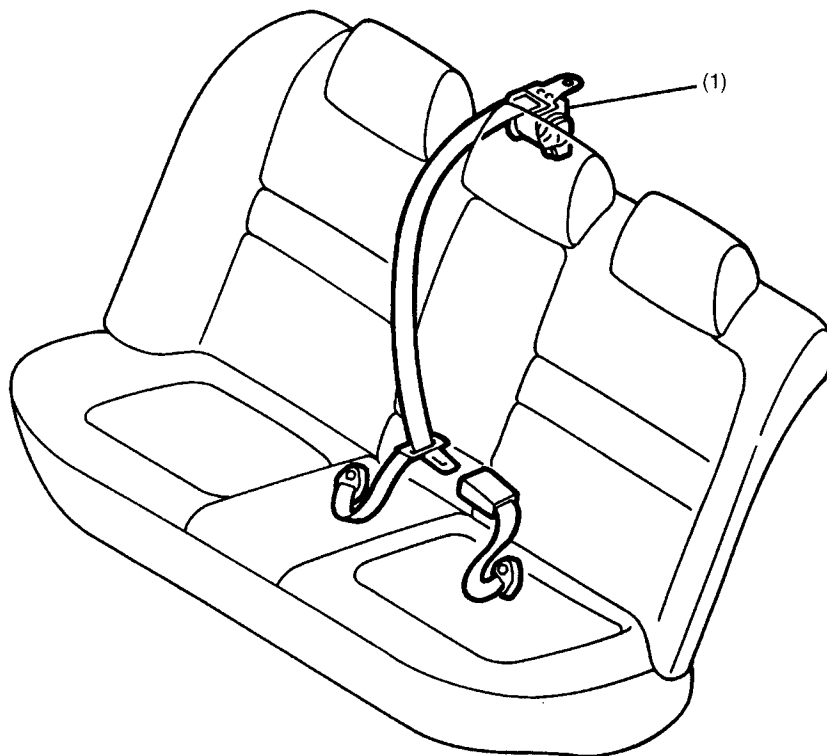
Each front seat belt system has an adjustable shoulder belt anchor which allows the occupant to select the most appropriate anchor height from among the five positions in a 129 mm (5.08 in) range.



B5H0605A

B: REAR CENTER THREE-POINT TYPE SEAT BELT (SEDAN)

A three-point type seat belt is available for the center seating position of the rear seat. The retractor for the seat belt is installed on the luggage shelf behind the seating position.

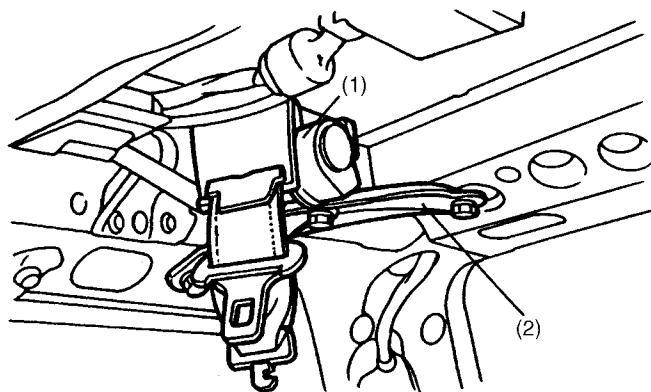


B5H0792A

(1) Retractor

C: REAR CENTER THREE-POINT TYPE SEAT BELT (WAGON)

A three-point type seat belt is available for the center seating position of the rear seat. The retractor for the seat belt is installed on the ceiling at the rear right of the cabin.



B5H0606A

(1) Retractor

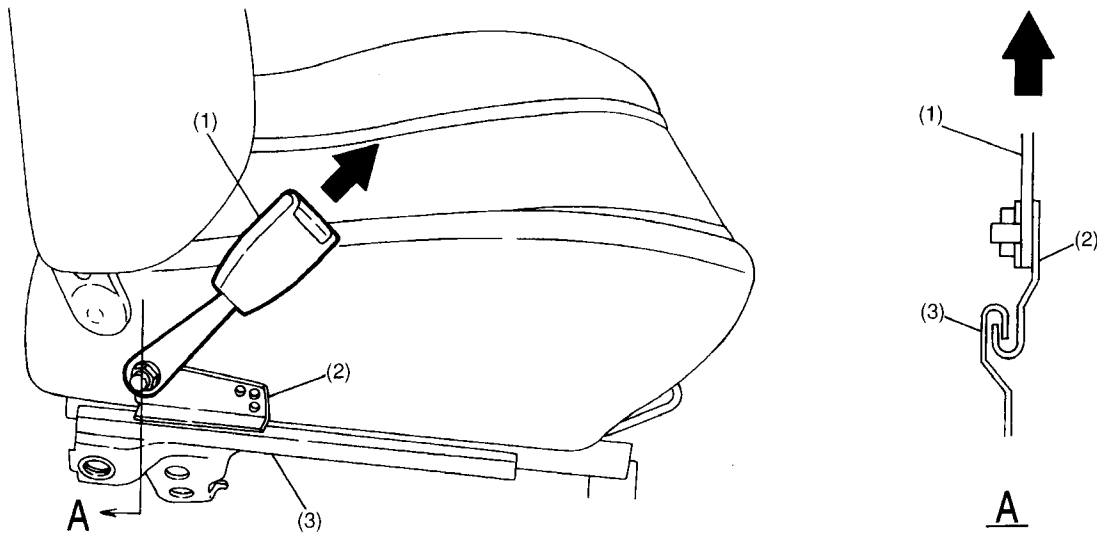
(2) Bracket

SEAT BELT

D: SEAT ANCHORED INNER BELT

The front inner belt (buckle stalk) is attached to the front seat rather than to the floor. This keeps the position of the occupant relative to the front inner belt always constant even when the front seat is moved for adjustment.

When an impact is applied to the occupant in a collision, the inner belt is pulled together with the upper hook in the direction of the arrow to engage the upper hook with the lower hook. As a result, the impact load is transmitted to the vehicle body and dispersed.

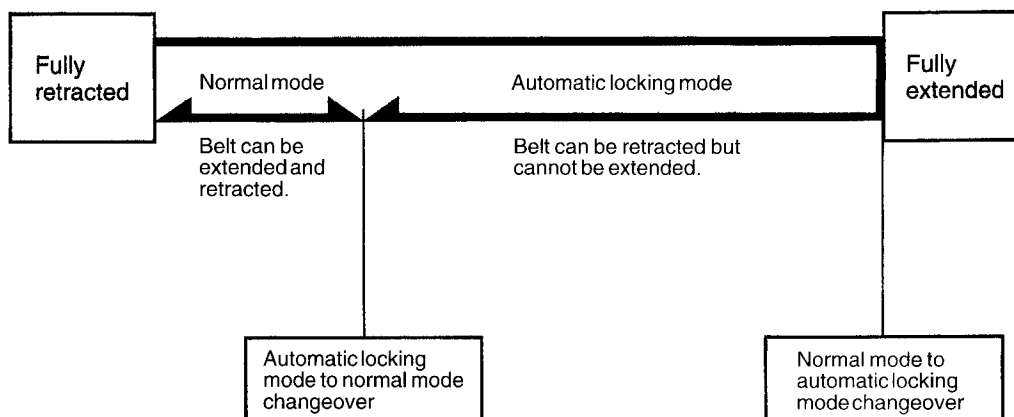


H5H0807

- (1) Inner belt
- (2) Upper hook
- (3) Lower hook

E: AUTOMATIC RETRACTOR

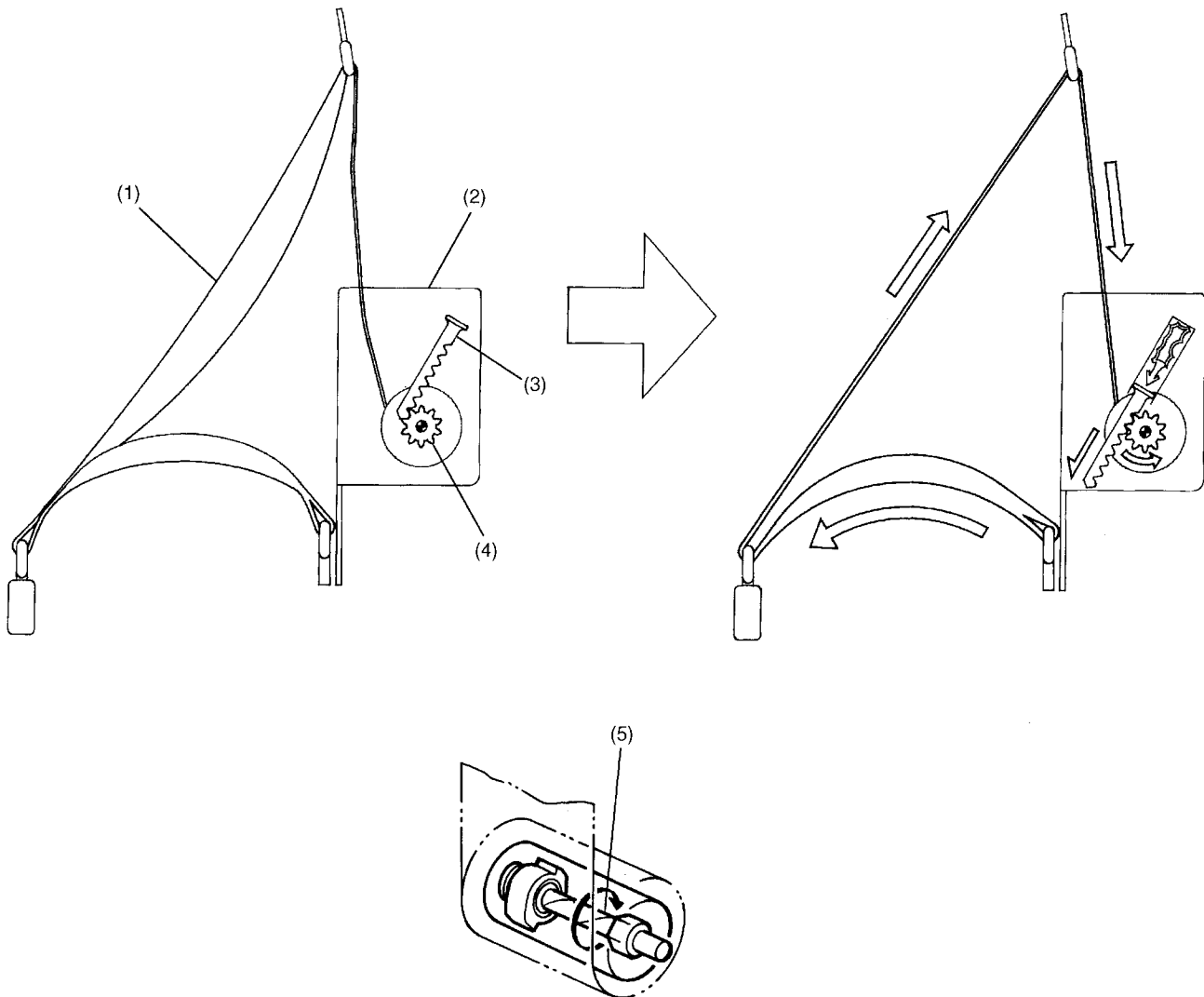
When the front passenger's seat belt and the rear seat belts for the right and left seating positions are drawn out completely, their retractors are placed in the automatic locking mode which is used when installing a child restraint system. In this mode, the belt can be retracted but cannot be extended. When the belt is retracted to a certain length, this mode is cancelled and normal operation is restored.



B5H0328A

F: PRETENSIONER**1. CONSTRUCTION**

The driver's and front passenger's seat belts are equipped with seat belt pretensioners. The pretensioners use the front sub sensors and the airbag control module inside sensors to control their operation. If the sensors detect an impact exceeding the predetermined level during a frontal or front-angled collision, the front seat belts are quickly rewound by the retractors to take up slacks for maximum restraining of the seat occupants. If the load placed on a seat belt exceeds the predetermined level, the torsion bar twists to allow the belt to be payed out, thus lessening the load imposed on the belt wearer's chest. Once the seat belt pretensioner has been activated, the seat belt retractor remains locked.

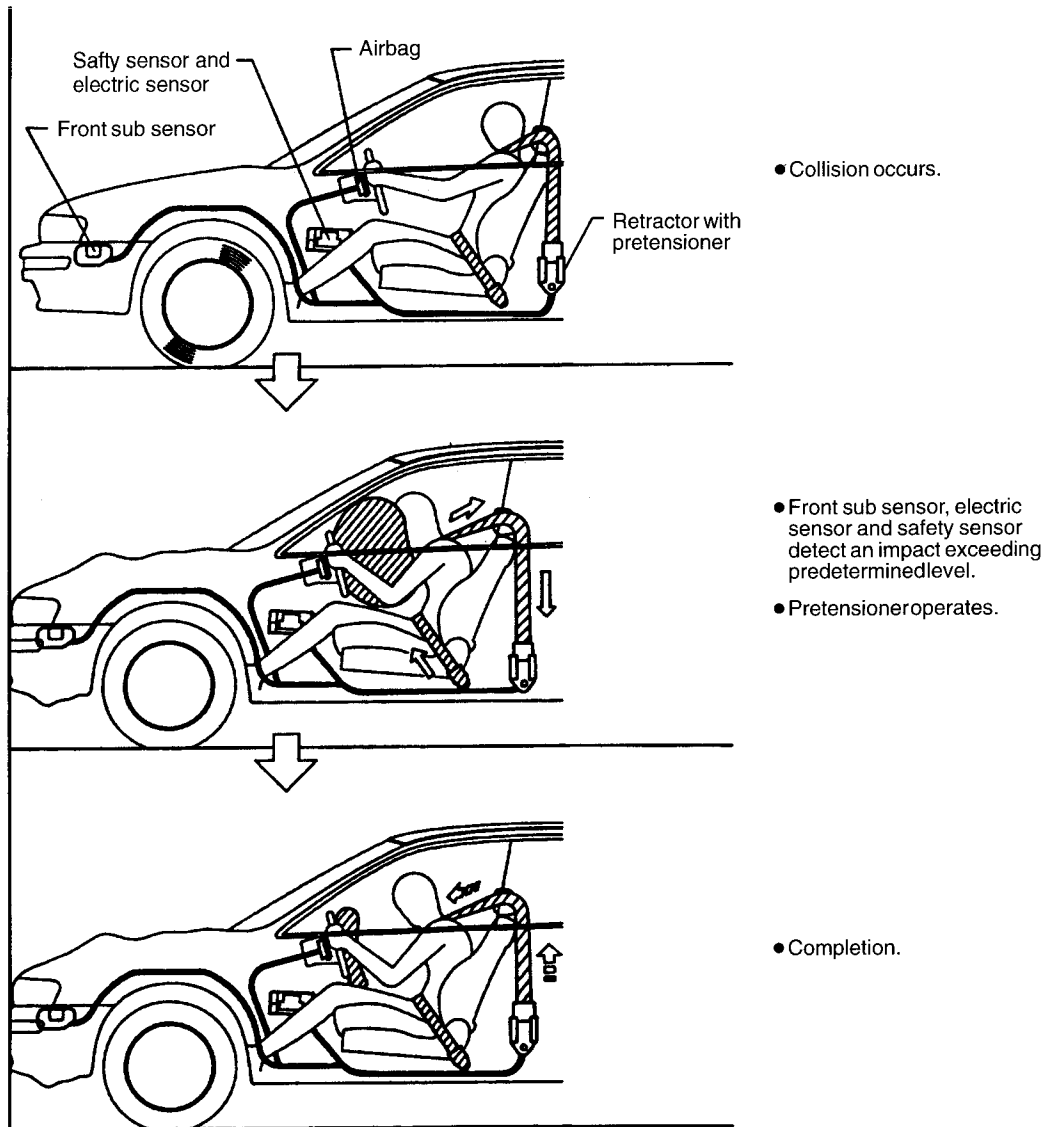


- (1) Webbing
- (2) Retractor
- (3) Rack
- (4) Pinion gear
- (5) Torsion bar

B5H0828A

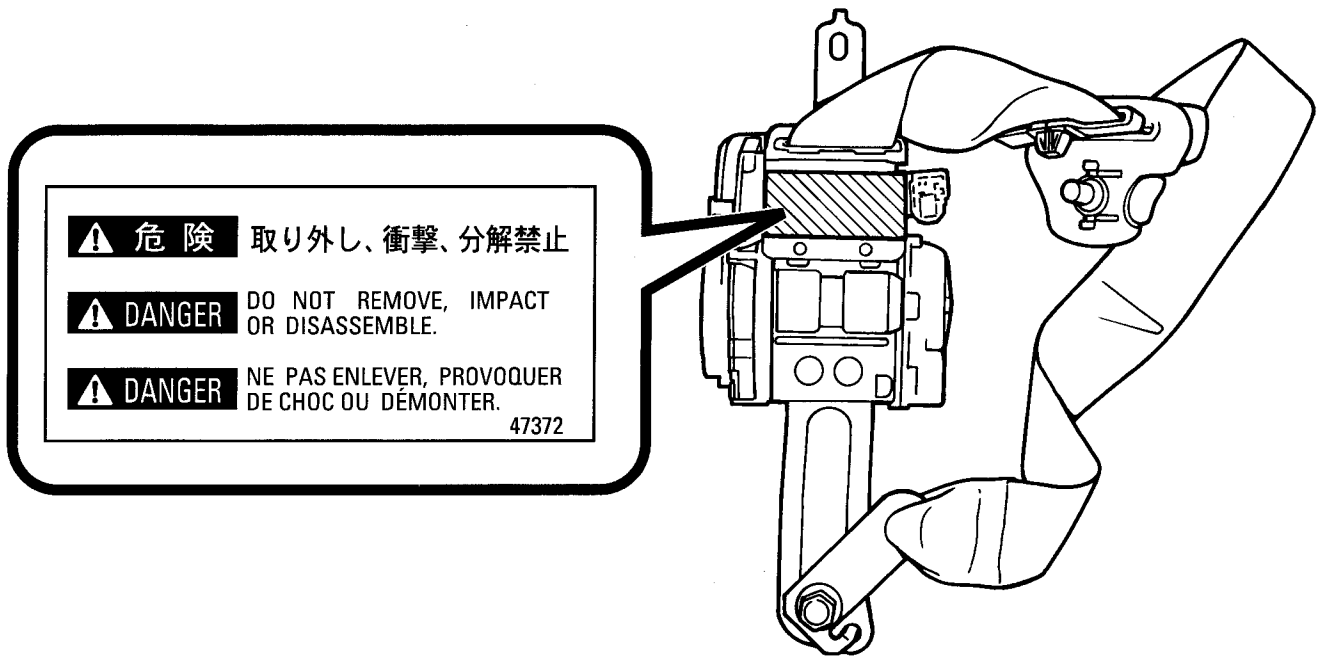
SEAT BELT

2. FUNCTION



B5H0630B

3. CAUTION LABEL



B5H0829