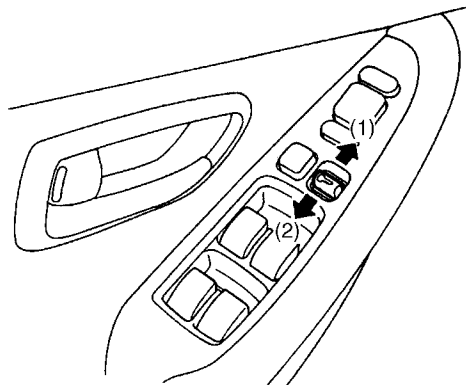


## 2. Power Door Lock

### A: CONSTRUCTION

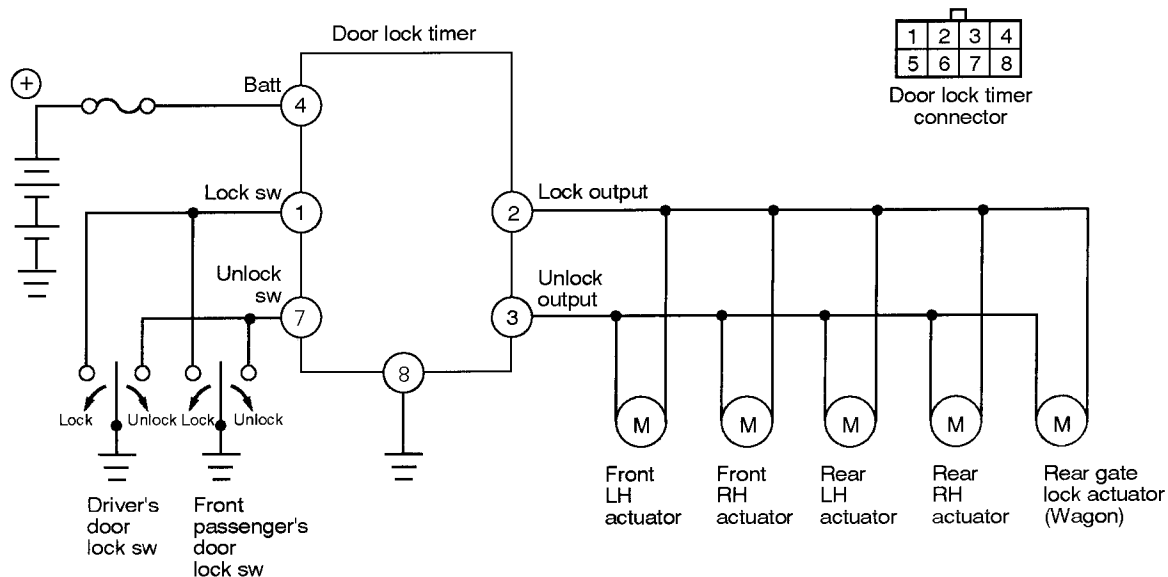
The power door lock system consists of driver's and front passenger's door lock switches, front door lock actuators, rear door lock actuators, and a rear gate lock actuator (WAGON).



- (1) Unlock
- (2) Lock

B6H1298A

### B: CIRCUIT DIAGRAM



B6H0759B