

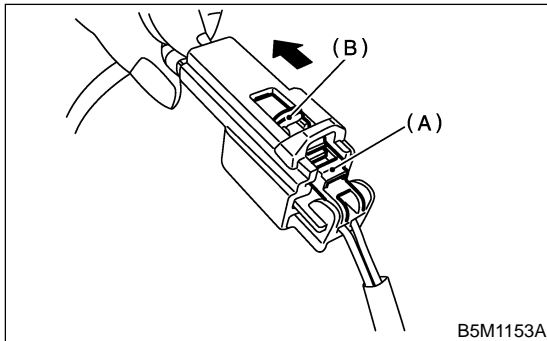
## 2. Airbag Connector S802659

### A: OPERATION S802659A16

#### 1. DRIVER'S AIRBAG, SIDE AIRBAG AND PRETENSIONER S802659A1601

##### ● How to disconnect:

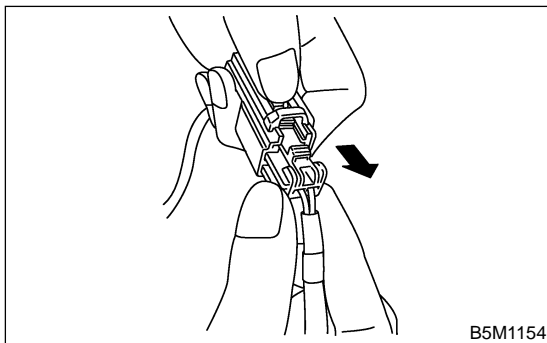
- 1) Push lock arm (A).
- 2) With lock arm (A) pushed in, move slide lock (B) in the direction of the arrow.



- 3) With slide lock (B) pulled, remove lock arm (A) to its original position, and then pull in the direction of the arrow and separate the connector.

##### CAUTION:

When pulling, be sure to hold onto the connector and not the wire.

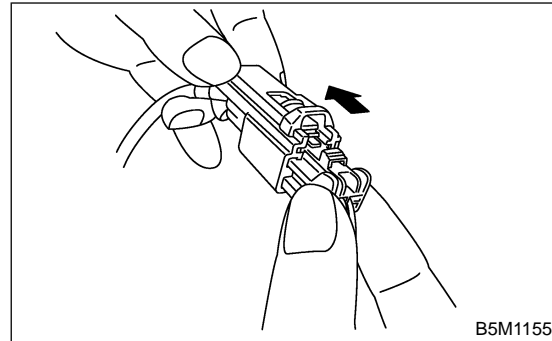


##### ● How to connect:

Holding the connector, and push it in carefully until a connecting sound is heard.

##### CAUTION:

Be sure to insert the connector in until it locks. Then pull on it gently to make sure that it is locked.



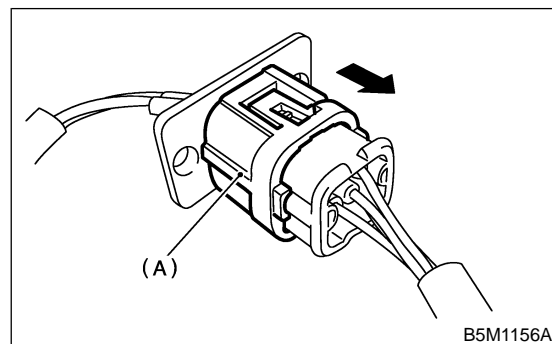
#### 2. FRONT SUB-SENSOR, SIDE AIRBAG SENSOR S802659A1603

##### ● How to disconnect:

- 1) Holding outer part (A), pull it in the direction of the arrow.

##### CAUTION:

When pulling, be sure to hold onto the connector and not the wire.

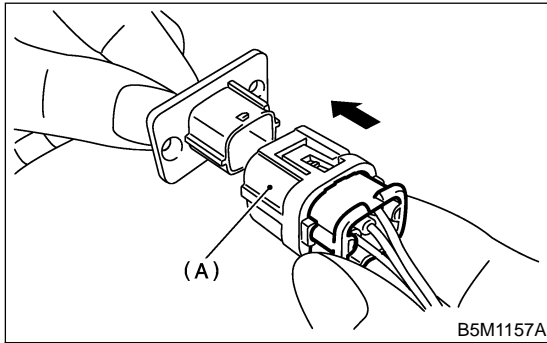


● **How to connect:**

Holding the connector, and push it in carefully until a connecting sound is heard.

**CAUTION:**

- Outer (A) moves back, and so do not put your hand on the outer part.
- Be sure to insert the connector in until it locks. Then pull on it gently to make sure that it is locked.



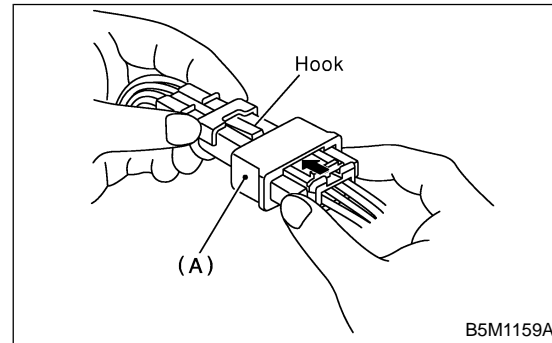
● **How to connect:**

- 1) Insert female connector (C) over male connector socket (B), and push slide lock (A) into the female connector tabs.

**CAUTION:**

**Do not hold onto the slide lock.**

- 2) If the male connector socket is pushed too hard, slide lock (A) will go past slide lock (A) tabs and connect.



### 3. PASSENGER'S AIRBAG S802659A1602

● **How to disconnect:**

Holding female connector (C) in one hand, use your other hand to pull slide lock (A) in the direction of the arrow.

**CAUTION:**

**When pulling, be sure to hold onto the slide lock and not the male connector or wire.**

