

PASSENGER'S AIRBAG MODULE

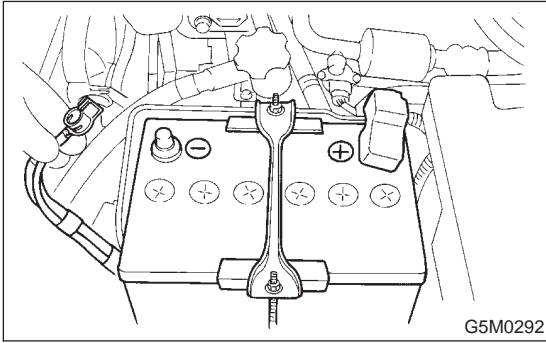
Airbag System

5. Passenger's Airbag Module

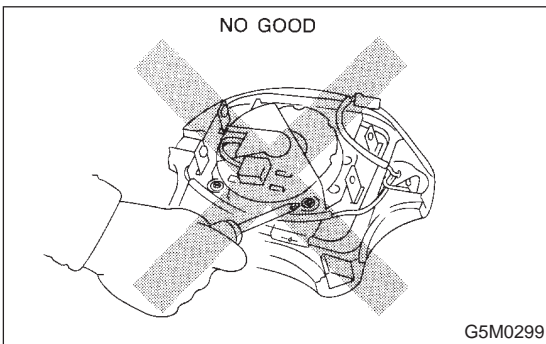
S802308

A: CAUTION S802308A03

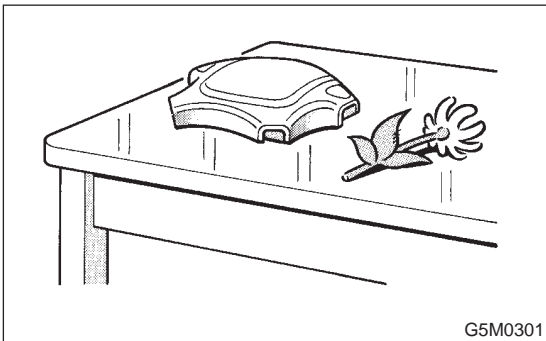
When disconnecting and connecting the airbag connector, be sure to turn the ignition switch OFF, disconnect the ground cable from the battery, and wait for more than 20 seconds before starting work.



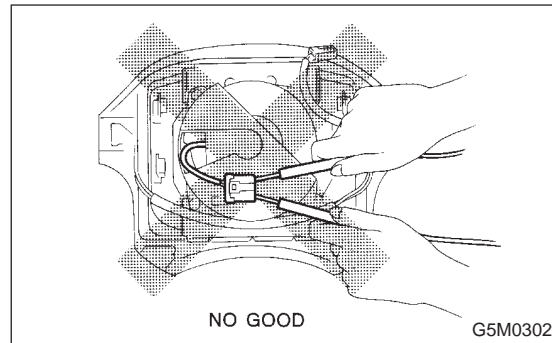
The airbag module (driver, passenger, and side) must not be disassembled. The airbag module cannot be used again once inflated.



After removal, keep the airbag module with the pad facing upward on a dry, clean, and flat surface away from heat and light sources, and moisture and dust.

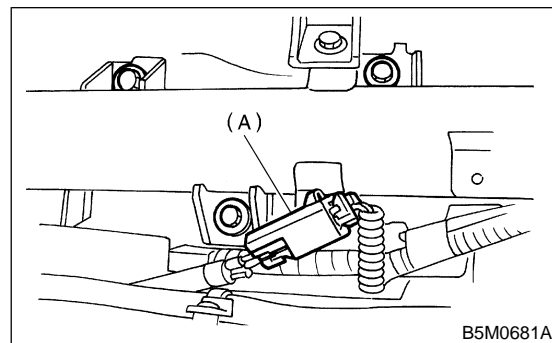


Do not check continuity of the airbag module (driver, passenger, and side) with airbag removed from the vehicle.



B: REMOVAL S802308A18

- 1) Turn ignition switch OFF.
- 2) Disconnect the ground cable from the battery, and wait for at least 20 seconds before starting work.
- 3) Pull out the two stopper pins and lower the glove box.
- 4) Disconnect airbag connector (A), and then detach airbag connector from support beam bracket.
- 5) Remove three bolts, and then carefully remove airbag module upward.



- 6) Refer to "CAUTION" for handling of a removed airbag module. <Ref. to AB-3 CAUTION, General Description.>

C: INSTALLATION S802308A11

Install in the reverse order of removal.

CAUTION:

Do not allow harness and connectors to interfere or get tangled up with other parts.

D: INSPECTION S802308A10

Check for the following, and replace damaged parts with new parts.

- Airbag module, harness, connector, and mounting bracket are damaged.