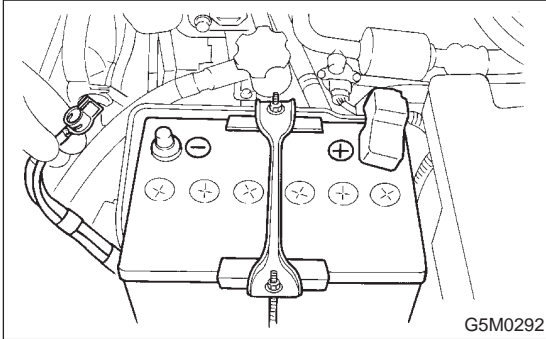


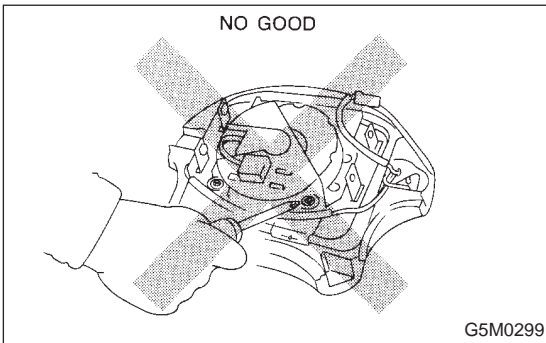
6. Side Airbag Module S802311

A: CAUTION S802311A03

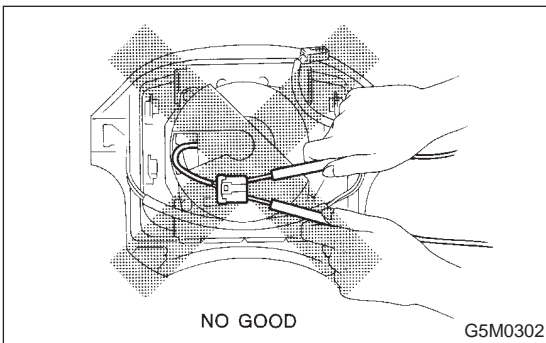
When disconnecting and connecting airbag connector, be sure to turn the ignition switch OFF, disconnect the ground cable from the battery, and wait for more than 20 seconds before starting work.



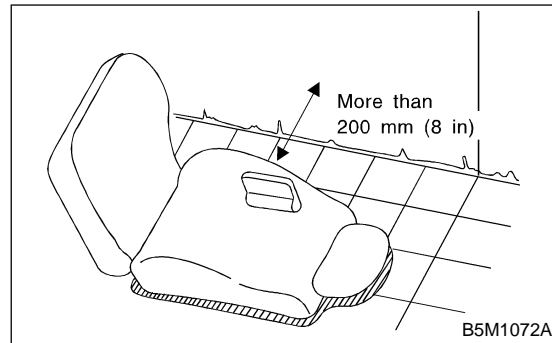
The airbag module must not be disassembled. The airbag module cannot be used again once inflated.



Do not check continuity of the airbag module (driver, passenger, and side) with airbag removed from the vehicle.



The removed front seat with the airbag module must be kept at least 200 mm (8 in) away from walls and other objects.



B: REMOVAL S802311A18

CAUTION:

- The side airbag module cannot be detached from the front seat assembly.
- When replacing side airbag module, replace front seat assembly.
<Ref. to SE-6 REMOVAL, Front Seat.>

C: INSTALLATION S802311A11

- <Ref. to SE-7 INSTALLATION, Front Seat.>

D: INSPECTION S802311A10

Check for the following, and replace front seat assembly.

- Front seat is deformed or damaged.
- Harness and/or connector is cracked, deformed or open.
- Load wire is exposed.