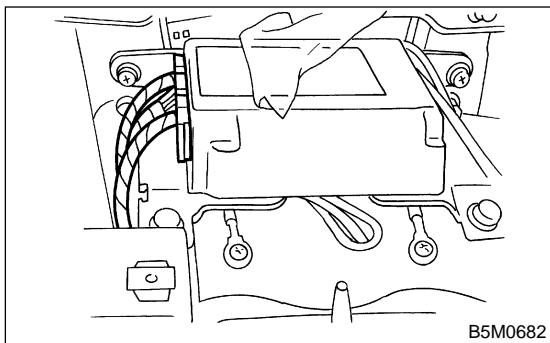


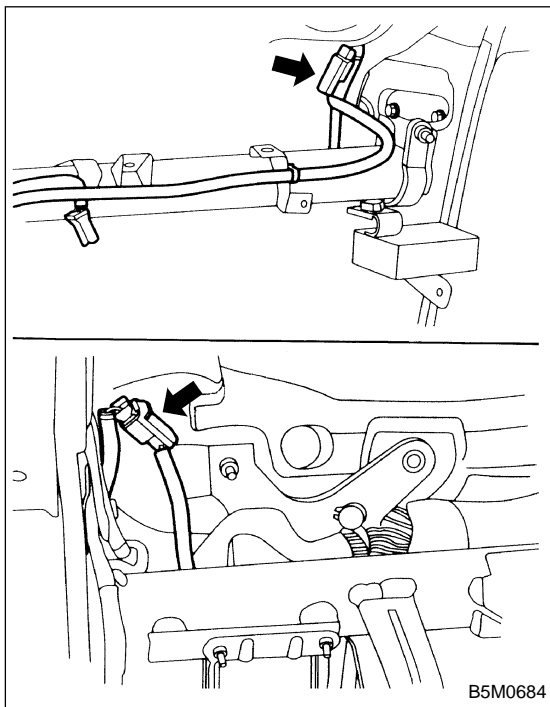
7. Main Harness S802310

A: REMOVAL S802310A18

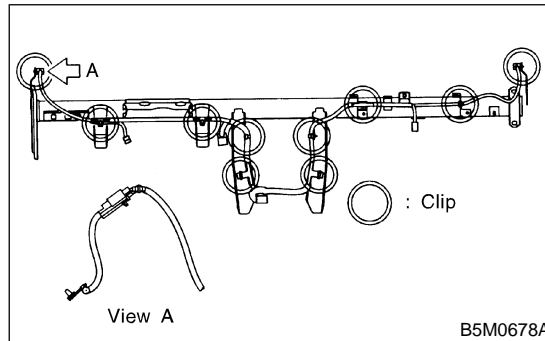
- 1) Turn ignition switch OFF.
- 2) Disconnect the ground cable from the battery and wait for at least 20 seconds before starting work.
- 3) Remove instrument panel. <Ref. to EI-37 REMOVAL, Instrument Panel.>
- 4) Disconnect connector from airbag control module.



- 5) Disconnect front sub sensor connector (blue) from airbag main harness.



- 6) Detach clips from steering support beam, and remove main harness.



B: INSTALLATION S802310A11

Install in the reverse order of removal.

C: INSPECTION S802310A10

Check for the following, and replace damaged parts with new parts.

- Harness and/or connector is damaged.