

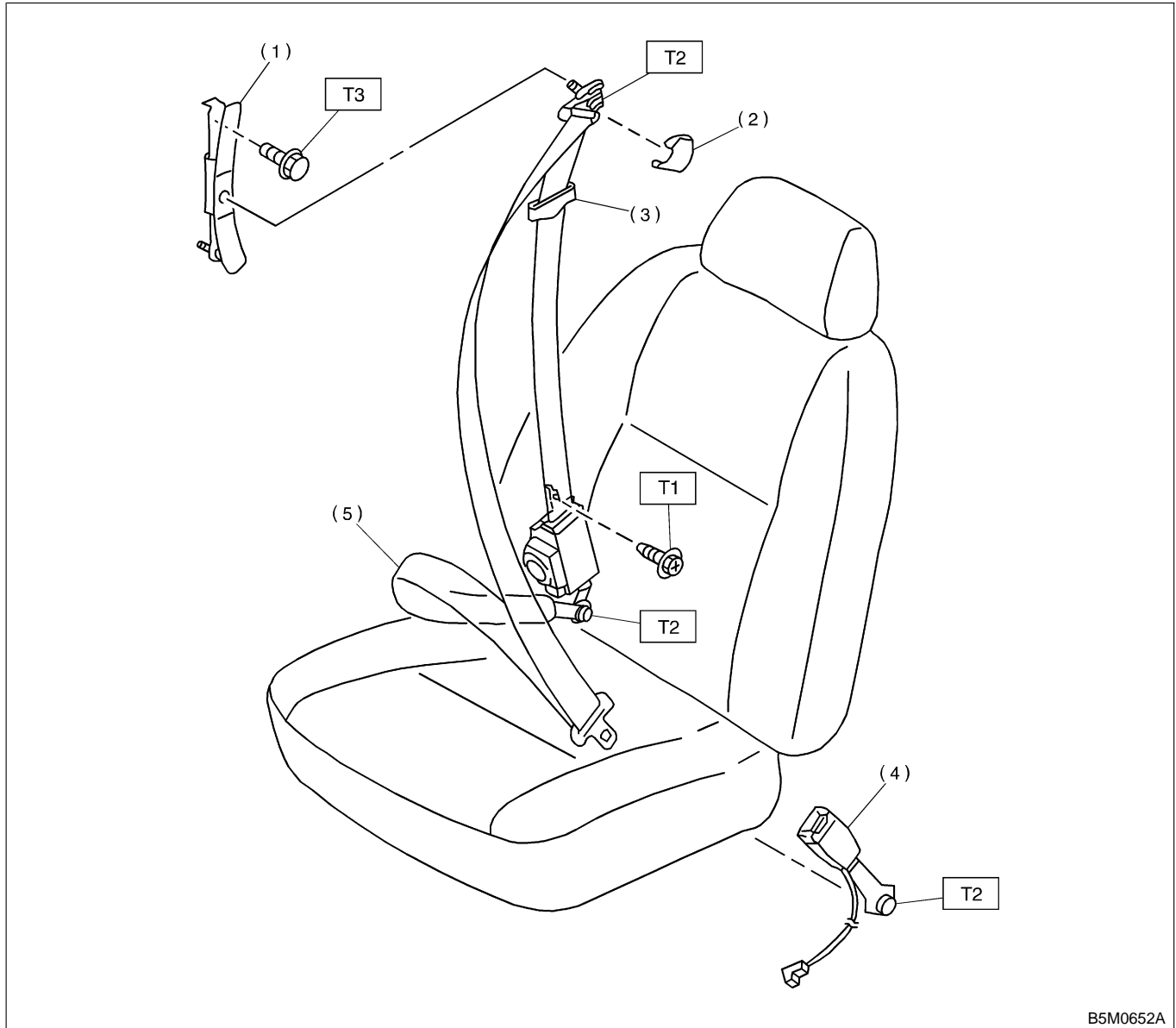
GENERAL DESCRIPTION

Seat Belt System

1. General Description SB01001

A: COMPONENT SB01001A05

1. FRONT SEAT BELT SB01001A0501



B5M0652A

- (1) Adjuster anchor ASSY
- (2) Anchor cover
- (3) Webbing guide
- (4) Inner belt ASSY

- (5) Outer belt ASSY

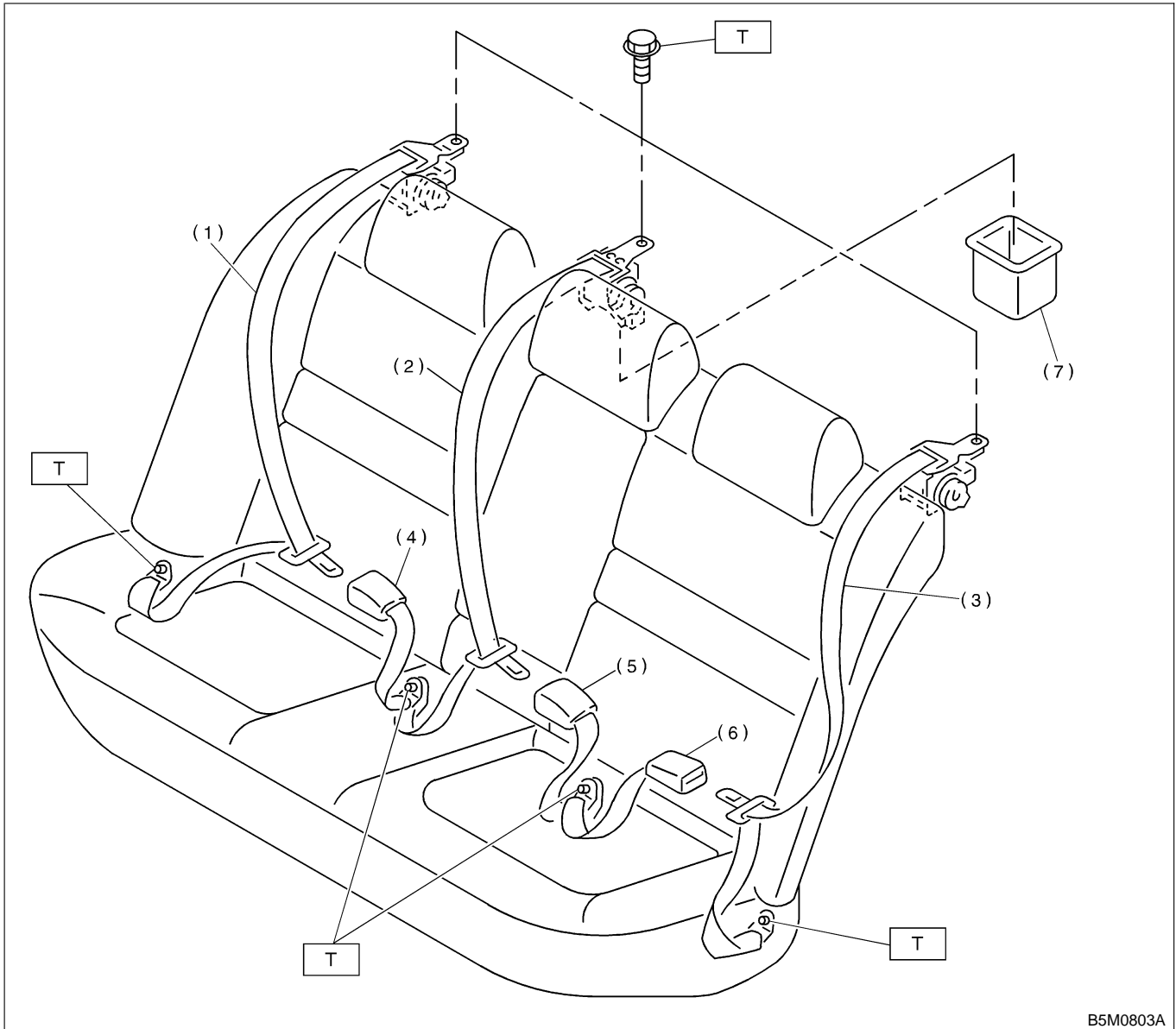
Tightening torque: N-m (kgf-m, ft-lb)

T1: 7.5 (0.76, 5.5)

T2: 30 (3.1, 22)

T3: 53 (5.4, 39)

2. REAR SEAT BELT (SEDAN BODY) SB01001A0502



B5M0803A

- | | |
|----------------------------|----------------------------|
| (1) Outer seat belt RH | (5) Inner seat belt CENTER |
| (2) Outer seat belt CENTER | (6) Inner seat belt LH |
| (3) Outer seat belt LH | (7) Case center ELR |
| (4) Inner seat belt RH | |

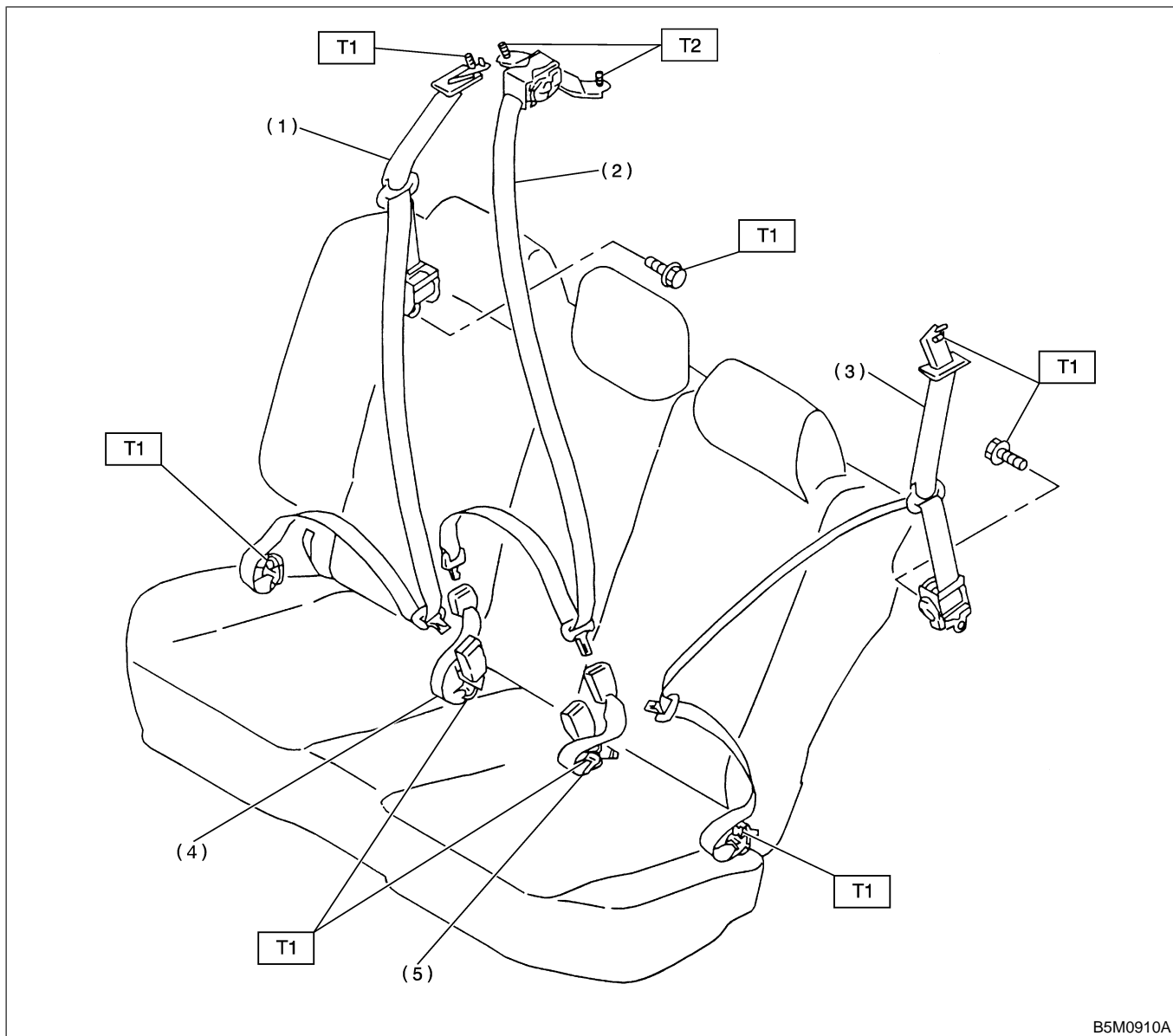
Tightening torque: N·m (kgf·m, ft·lb)

T: 30 (3.1, 39)

GENERAL DESCRIPTION

Seat Belt System

3. REAR SEAT BELT (WAGON BODY) SB01001A0503



- (1) Outer seat belt RH
- (2) Outer seat belt CENTER
- (3) Outer seat belt LH
- (4) Inner seat belt RH

- (5) Inner seat belt LH

Tightening torque: N·m (kgf·m, ft·lb)

T1: 30 (3.1, 22)

T2: 53 (5.4, 39)

B: CAUTION SB01001A03

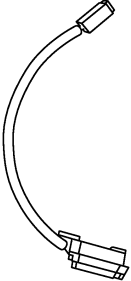
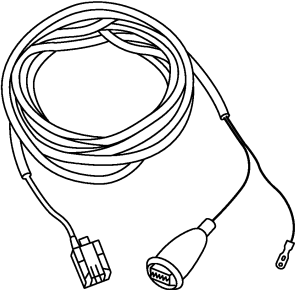
- Before starting, turn the ignition switch off, disconnect the battery ground cable and wait for 20 seconds or more.
- The pretension system has a backup power source. The pretensioner might deploy if you do not wait for 20 seconds or more before starting
- Do not drop or apply any impact to the pretensioner.
- If oil, grease, or water gets on the pretensioner, wipe it off immediately with a dry cloth.
- Do not expose the pretensioner to high temperature or flame.
- Do not allow current to flow through or voltage to reach the pretensioner. Do not use a circuit tester to check resistance of the pretensioner.
- Do not disassemble or attempt to repair the pretensioner. If it is dented, cracked, or deformed, replace it with a new one.
- Do not use the air bag or pretensioner parts from other vehicles. Always replace parts with new parts
- When handling a seat belt with a deployed pretensioner, wear gloves and goggles. Wash your hands afterwards.
- Do not re-use a seat belt with a deployed pretensioner again.
- Be sure to deploy pretensioner before disposal. <Ref. to SB-13 OPERATION Disposal of Pretensioner.>
- If the material gets in your eyes or on your skin during deployment, wash it away with clean water, and then consult a doctor.

GENERAL DESCRIPTION

Seat Belt System

C: PREPARATION TOOL S801001A17

1. SPECIAL TOOLS S801001A1701

ILLUSTRATION	TOOL NUMBER	DESCRIPTION	REMARKS
 <p style="text-align: right; margin-right: 10px;">B5M1114</p>	98299FC030	ADAPTER A (DEPLOYMENT)	<ul style="list-style-type: none"> ● Used for deploying the airbag module. ● Used with DEPLOYMENT TOOL (98299PA030).
 <p style="text-align: right; margin-right: 10px;">B5M1115</p>	98299PA030	DEPLOYMENT TOOL	<ul style="list-style-type: none"> ● Used for deploying the airbag module. ● Used with ADAPTER A (DEPLOYMENT) (98299FC030).