

# REAR SEAT BELT

Seat Belt System

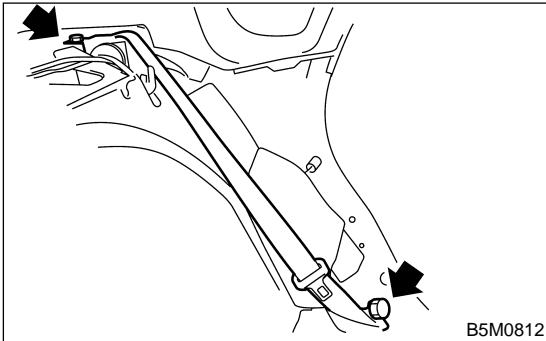
## 4. Rear Seat Belt SB01304

### A: REMOVAL SB01304A18

#### 1. OUTER BELT SIDE (SEDAN BODY)

SB01304A1801

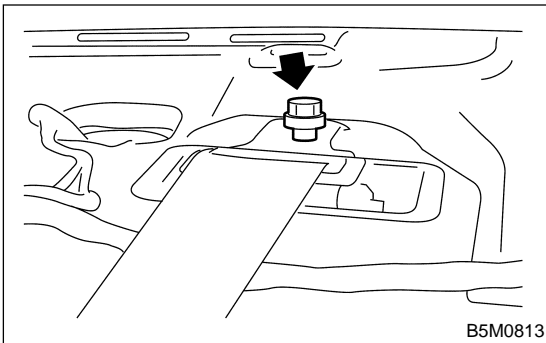
- 1) Remove rear shelf trim. <Ref. to EI-50 Rear Shelf Trim.>
- 2) Remove side sill rear upper cover. <Ref. to EI-43 REMOVAL, Lower Inner Trim.>
- 3) Remove bolts, then detach outer belt side.



#### 2. OUTER BELT CENTER (SEDAN BODY)

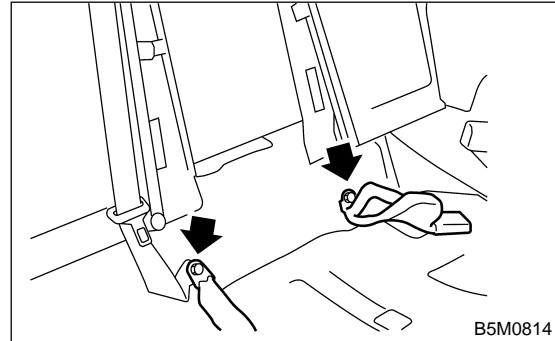
SB01304A1802

- 1) Remove rear shelf trim. <Ref. to EI-50 REMOVAL, Rear Shelf Trim.>
- 2) Remove bolt, and then detach outer belt center.



#### 3. INNER BELT (SEDAN BODY) SB01304A1803

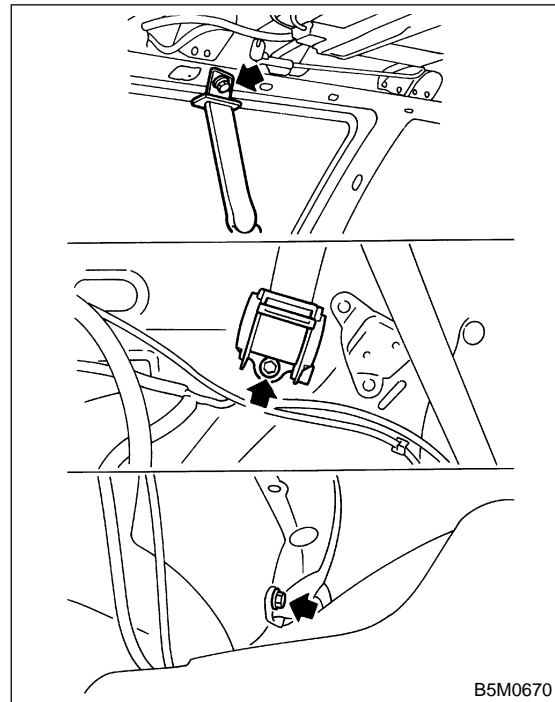
- 1) Remove the rear cushion. <Ref. to SE-16 REMOVAL, Rear Seat.>
- 2) Remove bolts, and then detach inner belt.



#### 4. OUTER BELT SIDE (WAGON BODY)

SB01304A1804

- 1) Remove rear quarter trim. <Ref. to EI- 44 REMOVAL, Rear Quarter Trim.>
- 2) Remove rear quarter upper trim. <Ref. to EI- 42 REMOVAL, Upper Inner Trim.>
- 3) Remove bolt and nut, and then detach outer belt side.



#### 5. OUTER BELT CENTER (WAGON BODY)

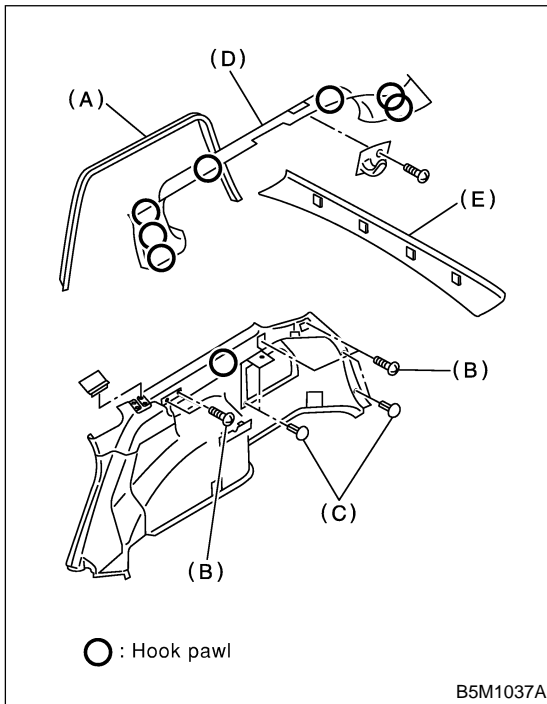
SB01304A1805

##### CAUTION:

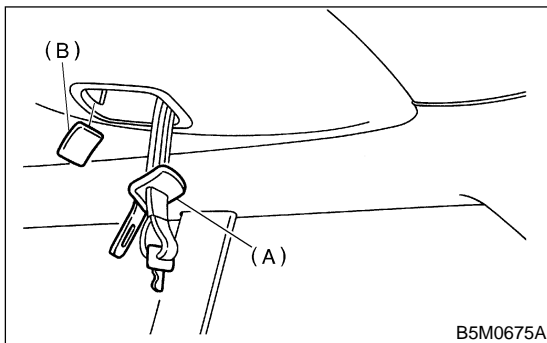
When removing clip, use great care not to damage the roof trim.

- 1) Remove luggage room light. <Ref. to LI-42 REMOVAL, Luggage Room Light.>

- 2) Remove rear mole (A) of right side.
- 3) Remove screws (B) and clips (C) of rear quarter lower trim shown in the figure.
- 4) Remove rear quarter upper trim (D) of right side.
- 5) Remove rear rail trim (E).

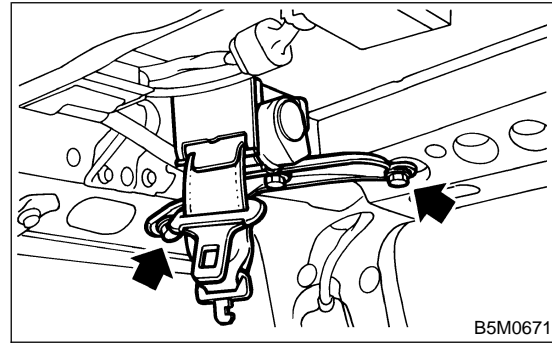


- 6) Remove cover (B) while detaching snap lock carefully. Put the outer belt center tongue (A) out to the other side of the trim through the hole.



- 7) Remove clips and hang down rear end of roof trim.

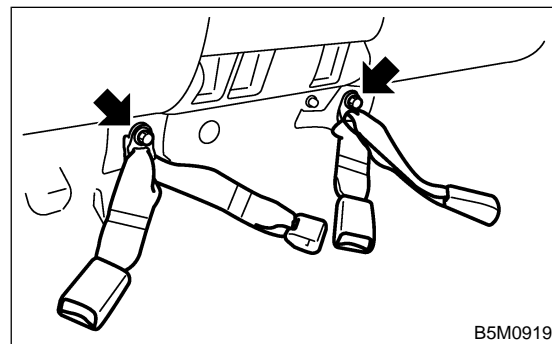
- 8) Disconnect harness and connector, and then remove outer belt center assembly.



## 6. INNER BELT (WAGON BODY)

S801304A1806

- 1) Raise the rear cushion.
- 2) Remove bolt, and then detach inner belt.



# REAR SEAT BELT

## Seat Belt System

### B: INSTALLATION S801304A11

#### 1. OUTER BELT SIDE (SEDAN BODY)

S801304A1101

Install in the reverse order of removal.

##### CAUTION:

- During installation, make sure that seat belts are not twisted.
- After installation, make sure that seat belts can be smoothly extended and wound.

#### 2. OUTER BELT CENTER (SEDAN BODY)

S801304A1102

Install in the reverse order of removal.

##### CAUTION:

- During installation, make sure that seat belts are not twisted.
- After installation, make sure that seat belts can be smoothly extended and wound.

#### 3. INNER BELT (SEDAN BODY) S801304A1103

Install in the reverse order of removal.

##### CAUTION:

During installation, make sure that seat belts are not twisted.

#### 4. OUTER BELT SIDE (WAGON BODY)

S801304A1104

Install in the reverse order of removal.

##### CAUTION:

- During installation, make sure that seat belts are not twisted.
- After installation, make sure that seat belts can be smoothly extended and wound.

#### 5. OUTER BELT CENTER (WAGON BODY)

S801304A1105

Install in the reverse order of removal.

##### CAUTION:

- During installation, make sure that seat belts are not twisted.
- After installation, make sure that seat belts are smoothly extended and wound.

#### 6. INNER BELT (WAGON BODY) S801304A1106

Install in the reverse order of removal.

##### CAUTION:

During installation, make sure that seat belts are not twisted.

### C: INSPECTION S801304A10

#### 1. OUTER BELT SIDE (SEDAN BODY)

S801304A1001

Check for the following, and replace with new parts if necessary.

- Seat belt is slackened, bent, or frayed. Seat belt is abnormally wound or extended.

#### 2. OUTER BELT CENTER (SEDAN BODY)

S801304A1002

Check for the following, and replace with new parts if necessary.

- Seat belt is slackened, bent, or frayed. Seat belt is abnormally wound or extended.

#### 3. INNER BELT (SEDAN BODY) S801304A1003

Check for the following, and replace with new parts if necessary.

- Inner belt is deformed or damaged.
- Seat belt buckle is engaged improperly.

#### 4. OUTER BELT SIDE (WAGON BODY)

S801304A1004

Check for the following, and replace with new parts if necessary.

- Seat belt is slackened, bent, or frayed. Seat belt is abnormally wound or extended.

#### 5. OUTER BELT CENTER (WAGON BODY)

S801304A1005

Check for the following, and replace with new parts if necessary.

- Seat belt is slackened, bent, or frayed. Seat belt is abnormally wound or extended.

#### 6. INNER BELT (WAGON BODY) S801304A1006

Check for the following, and replace with new parts if necessary.

- Inner belt is deformed or damaged.
- Seat belt buckle is engaged improperly.