

## 5. Disposal of Pretensioner S801305

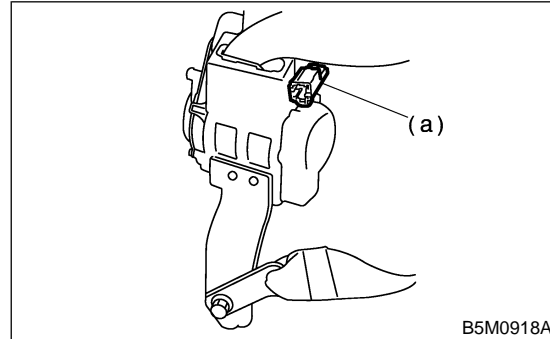
### A: CAUTION S801305A03

- Do not discard undeployed pretensioners, because they may cause serious personal injury when accidentally deployed.
- Deployment of the airbag should be done on a flat place free from any possible danger. Avoid deploying outdoors during rainy or windy weather.
- Do not drop or damage pretensioner.
- Because deploying the airbag module causes a high-explosive noise, be sure to warn people in the area, and do not allow anyone within a 5-meter (16 ft) radius of the disposal site.
- Some smoke will be emitted after deployment of the airbag module. Therefore, it must be deployed in a well-ventilated area with no smoke alarms nearby.
- Wear gloves, goggles, and earplugs during this operation. Wash your hands afterwards.
- After deployment, the pretensioner is especially hot. Leave it unattended for 40 minutes, and then discard it.
- Do not let water get on the deployed pretensioner.
- Wrap the deployed the pretensioner in an air-tight vinyl bag, and then discard it.

## B: OPERATION S801305A16

### 1. DEPLOYING WHILE INSTALLED IN VEHICLE S801305A1601

- 1) Fold backrest all the way forward, and then move front seat all the way forward.
- 2) Turn ignition switch OFF, disconnect the ground cable from the battery, and wait for more than 20 seconds before starting work.
- 3) Remove center pillar lower trim. <Ref. to EI-43 REMOVAL, Inner Trim Panel.>
- 4) Disconnect yellow connector from pretensioner.

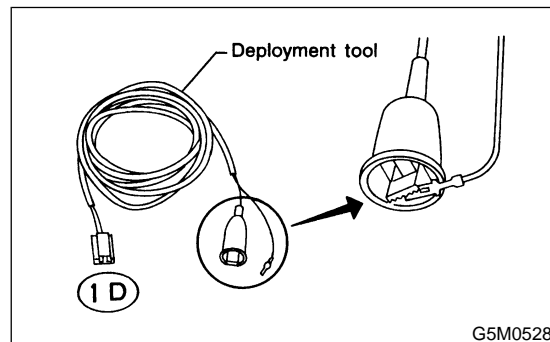


- 5) Short terminal to alligator clip furnished as deployment tool.

**Deployment tool: (Part No. 98299PA030)**

#### CAUTION:

The deployment tool should be kept shorted until just before deployment of the pretensioner.

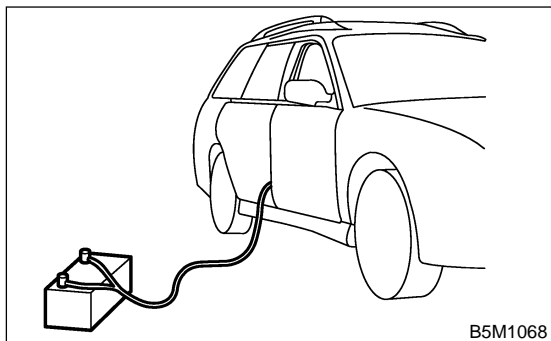


- 6) Connect deployment tool connector (1D) and pretensioner yellow connector.

# DISPOSAL OF PRETENSIONER

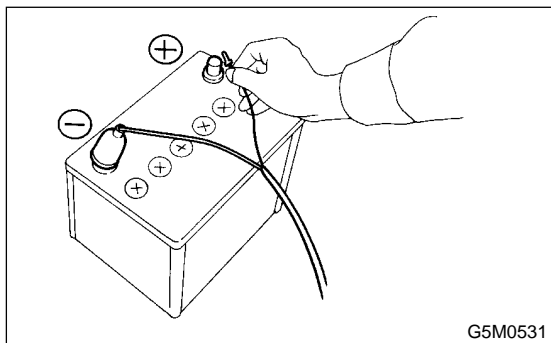
## Seat Belt System

7) Extend the deployment tool to the limit, and make sure that vehicle is empty. Close all windows, sunroof, and rear gate completely.



8) Move the battery at least 5 m (16 ft) from the vehicle, and secure the nearby area. Connect the deployment tool alligator clip to the battery minus terminal.

9) Connect the other terminal of deployment tool to the battery plus terminal. Then deploy the pretensioner.

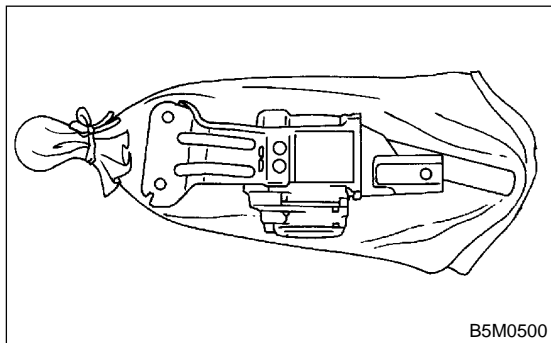


### CAUTION:

- After deployment, pretensioner is especially hot. Leave it unattended for 40 minutes.
- Do not let water get on the deployed pretensioner.

10) Remove outer belt (front). <Ref. to SB-8 REMOVAL, Front Seat Belt.>

11) Wrap the deployed pretensioner in an airtight vinyl bag, and then discard it.



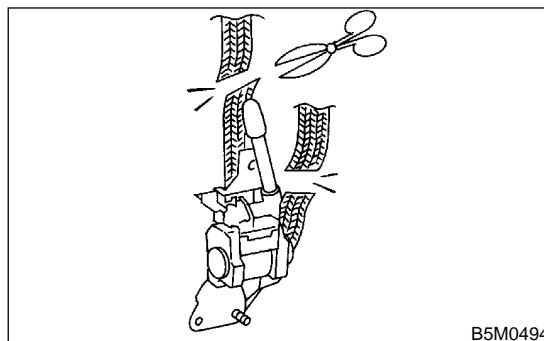
## 2. DEPLOYING AFTER REMOVAL FROM VEHICLE S801305A1602

1) Fold backrest all the way forward, then move front seat all the way forward.

2) Turn ignition switch OFF, disconnect the ground cable from the battery, and wait for more than 20 seconds before starting work.

3) Remove outer belt (front). <Ref. to SB-8 REMOVAL, Front Seat Belt.>

4) Cut off seat belt as close to retractor as possible.

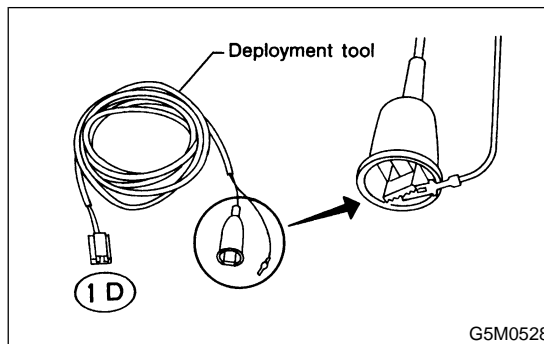


5) Short terminal to alligator clip furnished as a deployment tool.

**Deployment tool: (Part No. 98299PA030)**

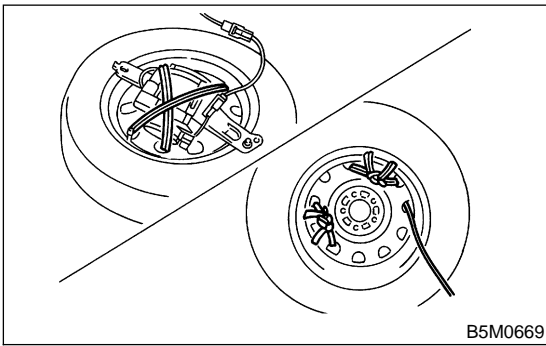
### CAUTION:

The deployment tool should be kept shorted until just before deployment of the pretensioner.

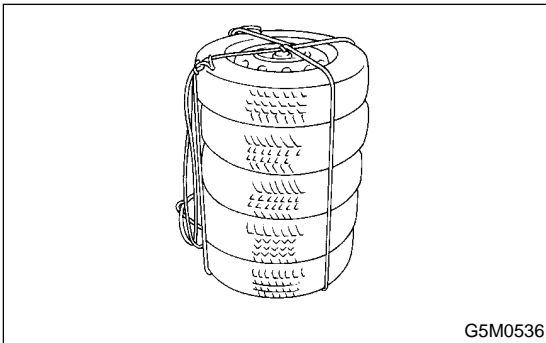


6) Connect deployment tool connector (1D) and pretensioner yellow connector.

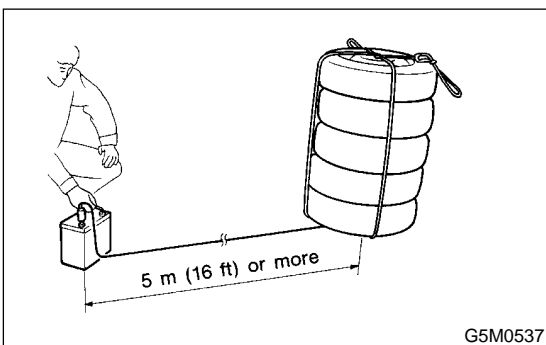
7) Install pretensioner on the wheel with the tire. Then, bundle three wire automotive harness [each with a sectional area of  $1.25 \text{ mm}^2$  ( $0.00194 \text{ sq in}$ ) or more], and bind them twofold around the pretensioner bracket and the wheel.



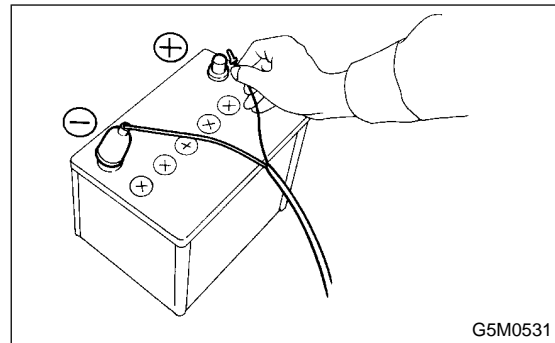
8) Put a tire without the wheel on the tire installed with pretensioner. Put on an additional tire with the wheel on top, and then fasten them tight with rope.



9) Move the battery at least 5 m (16 ft) from the vehicle, and secure the nearby area. Connect the deployment tool alligator clip to the battery minus terminal.



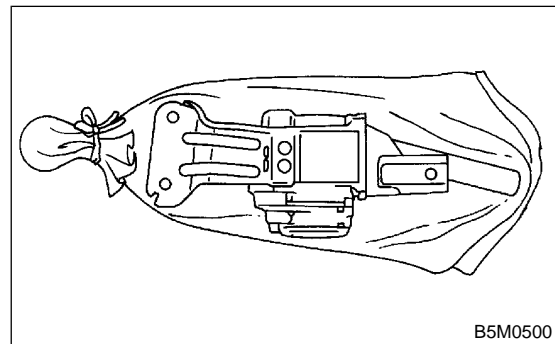
10) Connect the other terminal of deployment tool to the battery plus terminal. Then deploy pretensioner.



**CAUTION:**

- After deployment, pretensioner is especially hot. Leave it unattended for 40 minutes.
- Do not let water get on the deployed pretensioner.

11) Wrap the deployed pretensioner in an airtight vinyl bag, and discard it.



# DISPOSAL OF PRETENSIONER

Seat Belt System

---

**MEMO:**

**SB-16**