

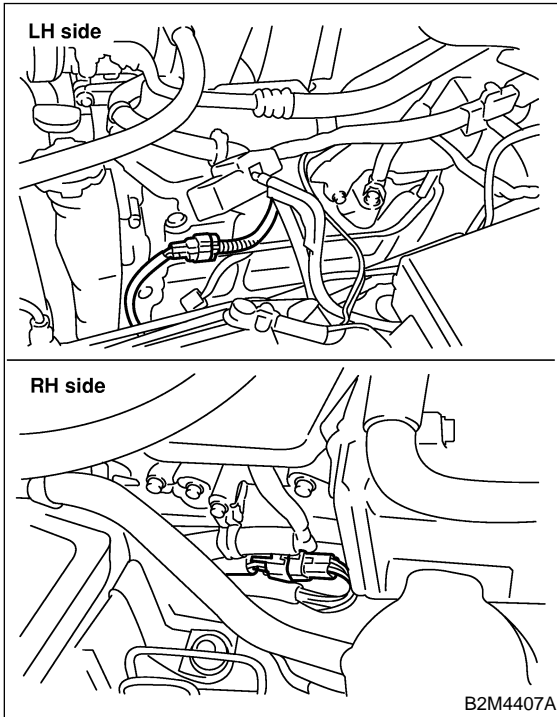
FRONT CATALYTIC CONVERTER

Emission Control (Aux. Emission Control Devices)

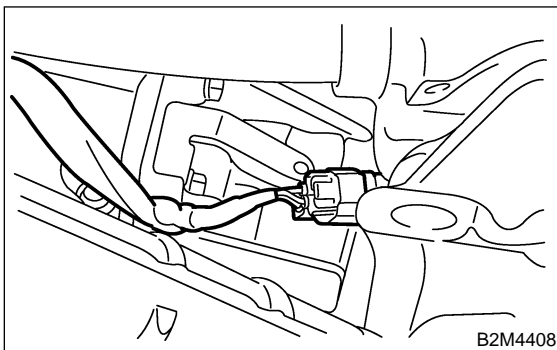
2. Front Catalytic Converter S140017

A: REMOVAL S140017A18

- 1) Set the vehicle on the lift.
- 2) Remove battery.
- 3) Remove air cleaner case and air intake duct.
<Ref. to IN(H6)-5, REMOVAL, Air Cleaner.> and
<Ref. to IN(H6)-7, REMOVAL, Air Intake Duct.>
- 4) Disconnect front oxygen (A/F) sensor connectors.



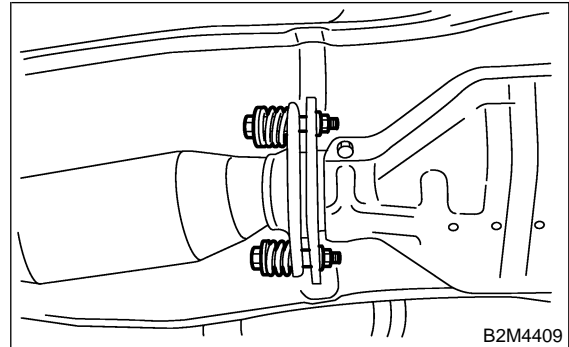
- 5) Lift-up the vehicle.
- 6) Remove under cover.
- 7) Remove front oxygen A/F sensor harness from the clips attached to both right and left cylinder head covers.
- 8) Disconnect connector from rear oxygen sensor connector.



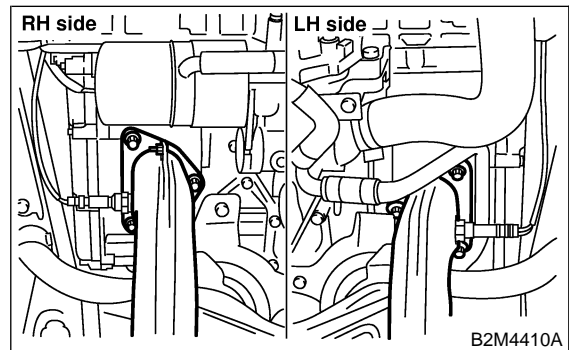
- 9) Separate front exhaust pipe from rear exhaust pipe.

CAUTION:

Be careful, exhaust pipe is hot.



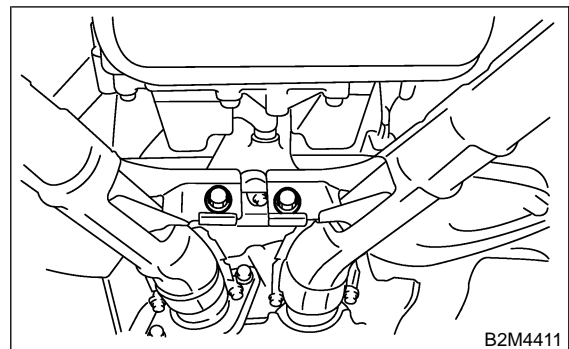
- 10) Remove bolts which hold front exhaust pipe onto cylinder heads.



- 11) Remove front exhaust pipe from hanger bracket.

CAUTION:

Be careful not to pull down front exhaust pipe.



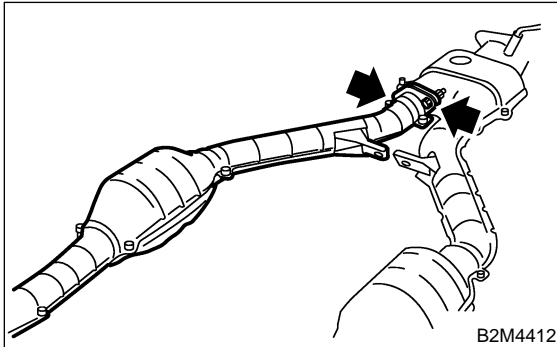
FRONT CATALYTIC CONVERTER

Emission Control (Aux. Emission Control Devices)

12) Separate front catalytic converter (RH) from front exhaust pipe.

NOTE:

The rear catalytic converter is integrated with front catalytic converter. Therefore, the procedure for removing rear catalytic converter is the same as the description above.



B: INSTALLATION

S140017A11

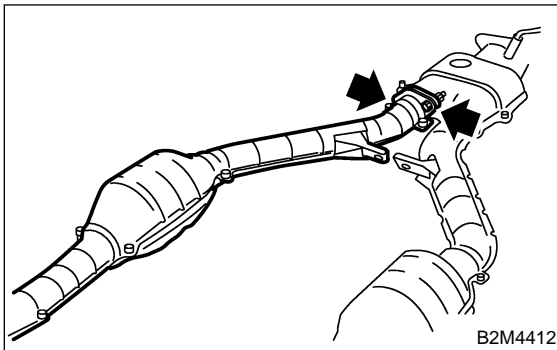
CAUTION:

Replace gaskets with new ones.

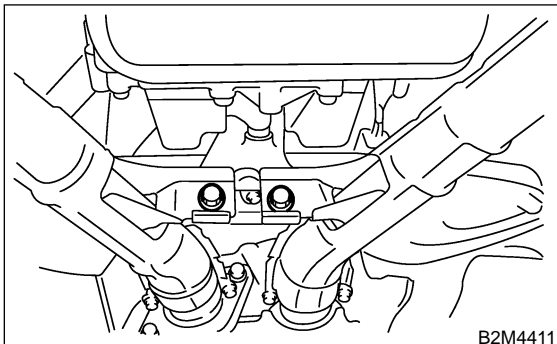
1) Install front catalytic converter (RH) to front exhaust pipe.

Tightening torque:

30 N·m (3.1 kgf·m, 22.4 ft·lb)



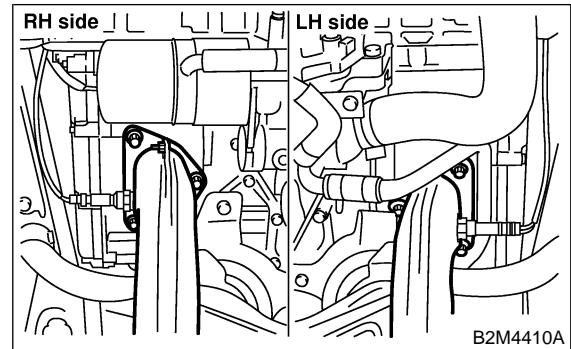
2) Install front exhaust pipe. And temporarily tighten bolt which installs front exhaust pipe to hanger bracket.



3) Tighten bolts which hold front exhaust pipe onto cylinder heads.

Tightening torque:

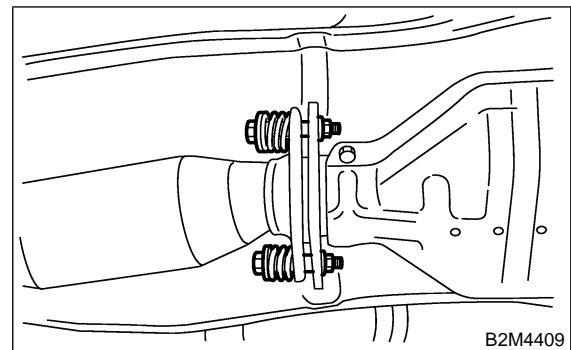
30 N·m (3.1 kgf·m, 22.4 ft·lb)



4) Install front exhaust pipe to rear exhaust pipe.

Tightening torque:

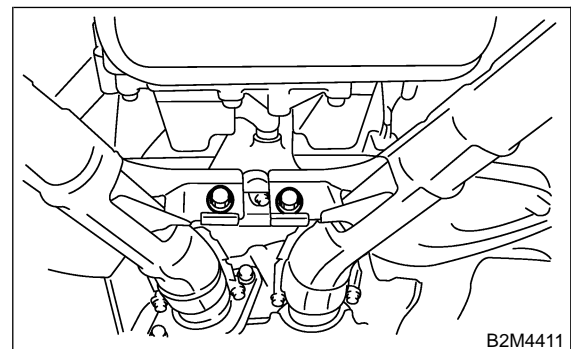
18 N·m (1.8 kgf·m, 13.0 ft·lb)



5) Tighten bolt which holds front exhaust pipes to hanger bracket.

Tightening torque:

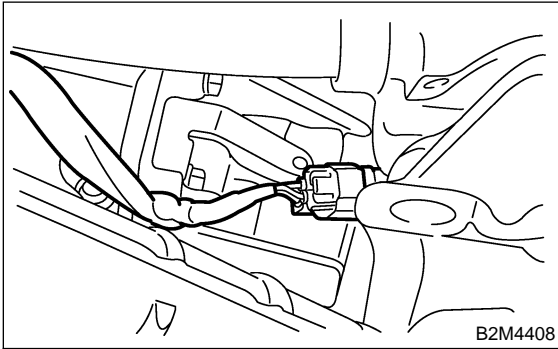
35 N·m (3.6 kgf·m, 26.0 ft·lb)



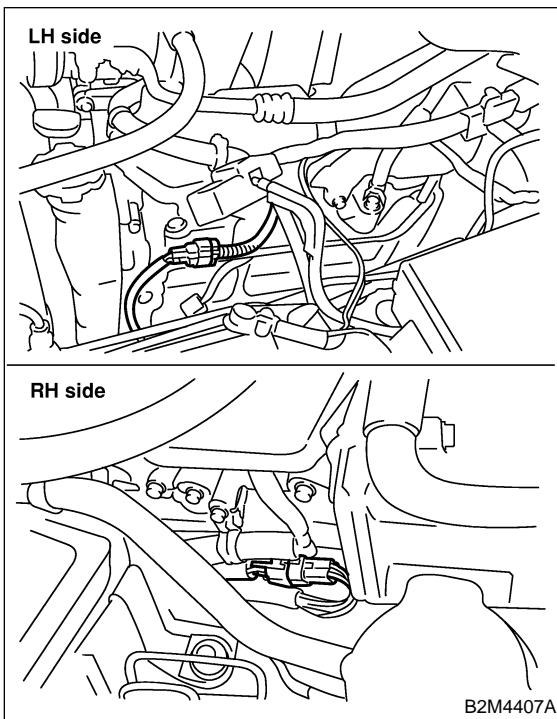
FRONT CATALYTIC CONVERTER

Emission Control (Aux. Emission Control Devices)

- 6) Connect connector to rear oxygen sensor connector.



- 7) Install front oxygen A/F sensor harness to the clips attached to the cylinder head covers.
- 8) Install under cover.
- 9) Lower the vehicle.
- 10) Connect front oxygen (A/F) sensor connector.



- 11) Install air cleaner case and air intake duct.
<Ref. to IN(H6)-5, INSTALLATION, Air Cleaner.>
and <Ref. to IN(H6)-7, INSTALLATION, Air Intake Duct.>
- 12) Install battery.

NOTE:

The rear catalytic converter is integrated with front catalytic converter. Therefore, the procedure for installing rear catalytic converter is the same as the description above.

C: INSPECTION S140017A10

- 1) Make sure there are no exhaust leaks from connections and welds.
- 2) Make sure there are no holes or rusting.