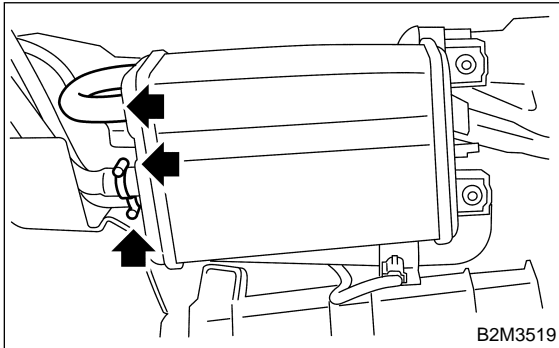


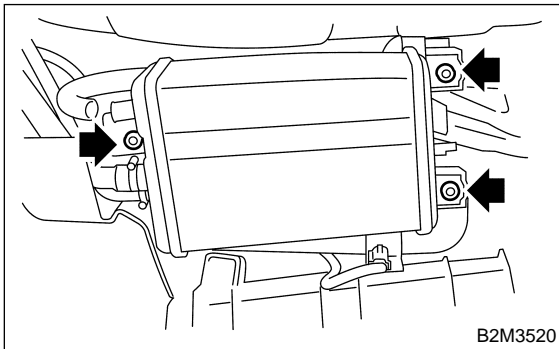
4. Canister S140037

A: REMOVAL S140037A18

- 1) Lift-up the vehicle.
- 2) Loosen two clamps which hold two canister hoses, and disconnect evaporation three hoses from canister.



- 3) Remove canister from body.

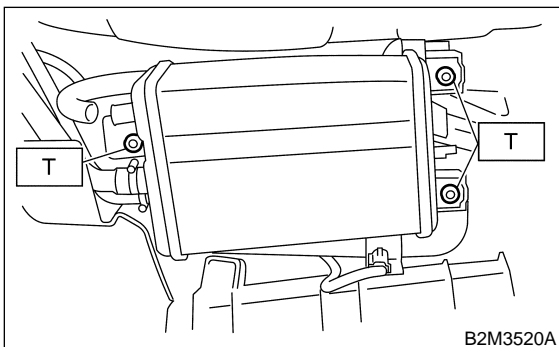


B: INSTALLATION S140037A11

Install in the reverse order of removal.

Tightening torque:

23 N·m (2.3 kgf-m, 17 ft-lb)



C: INSPECTION S140037A10

Make sure the canister and canister hoses are not cracked or loose.