

FUEL TEMPERATURE SENSOR

Emission Control (Aux. Emission Control Devices)

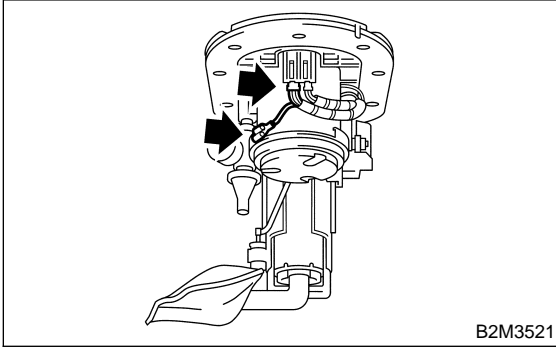
8. Fuel Temperature Sensor S140032

A: REMOVAL S140032A18

NOTE:

Fuel temperature sensor is built in fuel pump assembly.

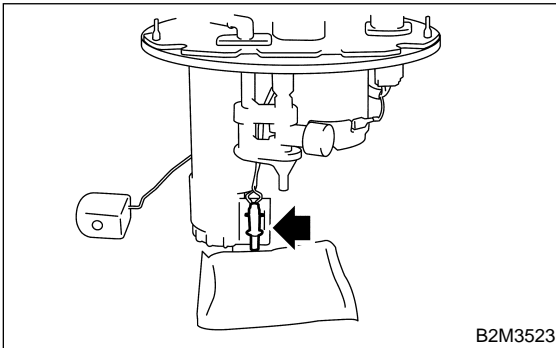
- 1) Remove fuel pump assembly. <Ref. to FU(H6)-69, REMOVAL, Fuel Pump.>
- 2) Disconnect connector from fuel pump bracket.



- 3) Remove fuel temperature sensor.

NOTE:

When replacing fuel temperature sensor, also replace fuel level sensor. <Ref. to FU(H6)-72, REMOVAL, Fuel Level Sensor.>



B: INSTALLATION S140032A11

Install in the reverse order of removal.

WARNING:

- Ground cable must be connected.
- Spark may occur and ignite if fuel is nearby.

