

# FUEL TANK PRESSURE SENSOR

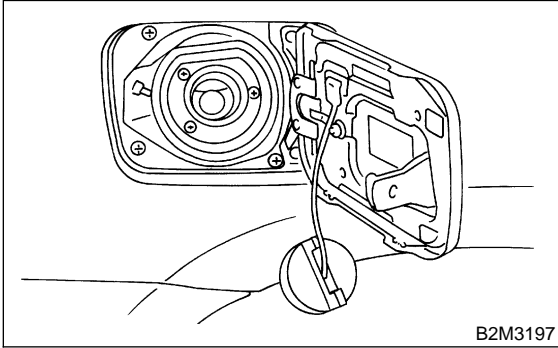
Emission Control (Aux. Emission Control Devices)

## 10. Fuel Tank Pressure Sensor

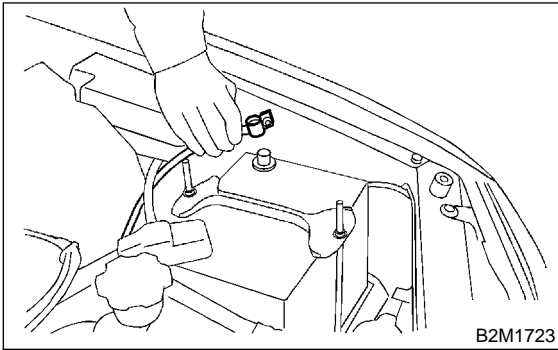
S140030

### A: REMOVAL S140030A18

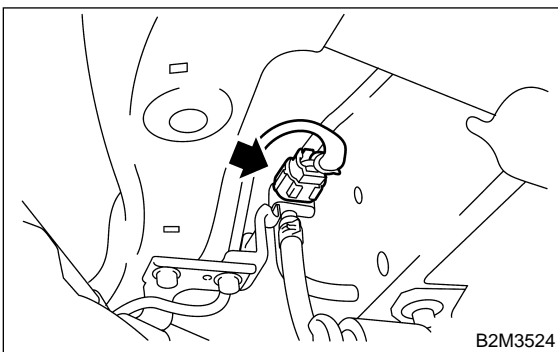
- 1) Set the vehicle on the lift.
- 2) Open fuel flap lid, and remove fuel filler cap.



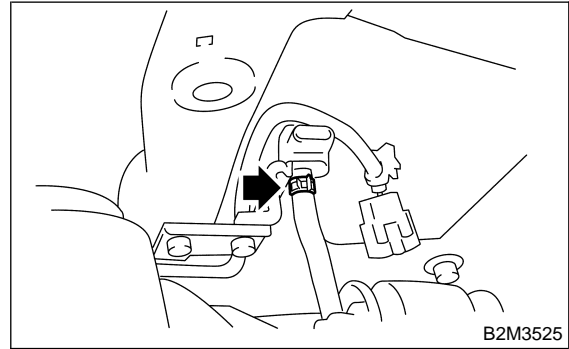
- 3) Disconnect battery ground cable.



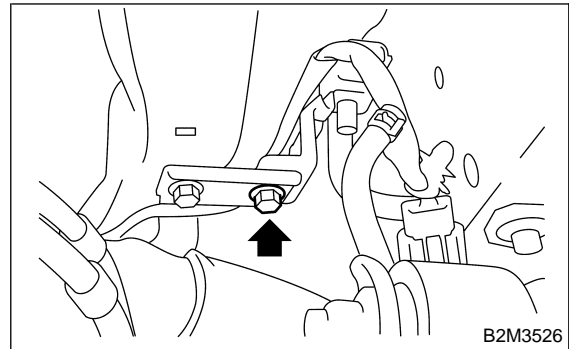
- 4) Lift-up the vehicle.
- 5) Disconnect connector from fuel tank pressure sensor.



- 6) Disconnect pressure hose from fuel tank pressure sensor.



- 7) Remove fuel tank pressure sensor.

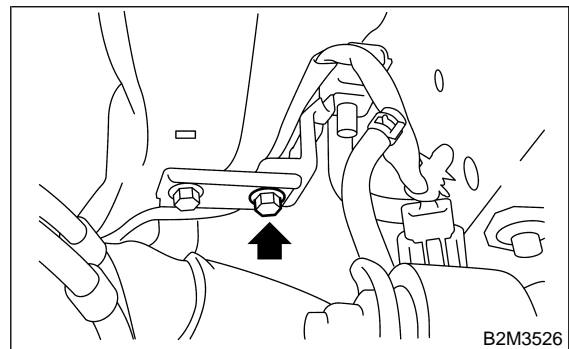


### B: INSTALLATION S140030A11

Install in the reverse order of removal.

**Tightening torque:**

**7.4 N·m (0.75 kgf·m, 5.4 ft·lb)**



### C: INSPECTION S140030A10

Make sure that hoses are not cracked or loose.