

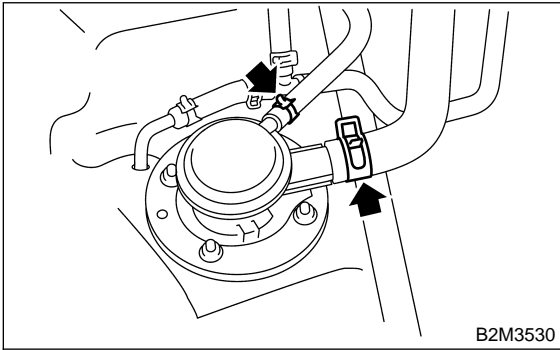
VENT VALVE

Emission Control (Aux. Emission Control Devices)

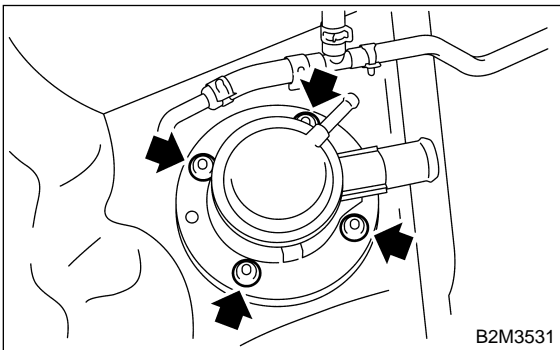
13. Vent Valve S140033

A: REMOVAL S140033A18

- 1) Remove fuel tank. <Ref. to FU(H6)-73 REMOVAL, Fuel Tank.>
- 2) Move clips, and disconnect hoses from vent valve.



- 3) Remove nuts which install vent valve on fuel tank.



B: INSTALLATION S140033A11

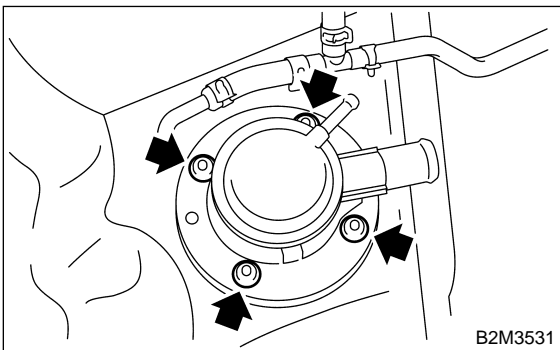
Install in the reverse order of removal.

CAUTION:

Replace rubber seat with a new one.

Tightening torque:

4.4 N·m (0.45 kgf-m, 3.3 ft-lb)



C: INSPECTION S140033A10

Make sure that hoses are not cracked or loose.