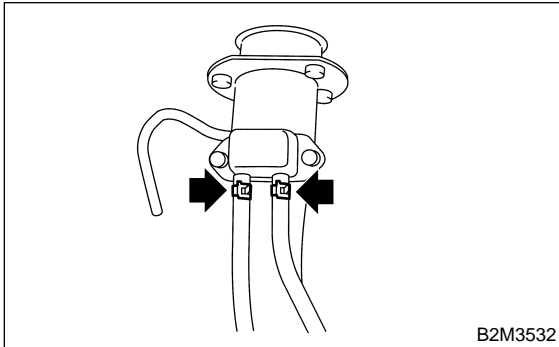


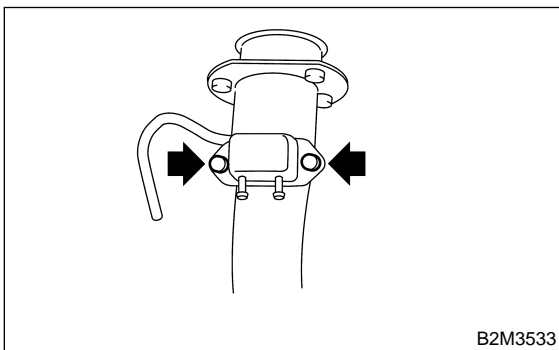
14. Shut Valve S140024

A: REMOVAL S140024A18

- 1) Drain fuel from fuel tank. <Ref. to FU(H6)-73 REMOVAL, Fuel Tank.>
- 2) Remove fuel filler pipe. <Ref. to FU(H6)-82 REMOVAL, Fuel Filler Pipe.>
- 3) Disconnect evaporation hoses from shut valve.



- 4) Remove shut valve from fuel filler pipe.

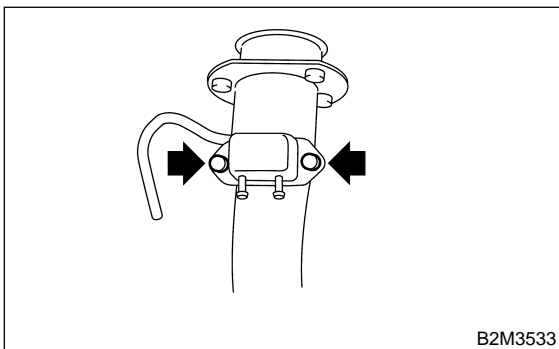


B: INSTALLATION S140024A11

Install in the reverse order of removal.

Tightening torque:

4.4 N·m (0.45 kgf·m, 3.3 ft·lb)



C: INSPECTION S140024A10

Make sure that hoses are not cracked or loose.