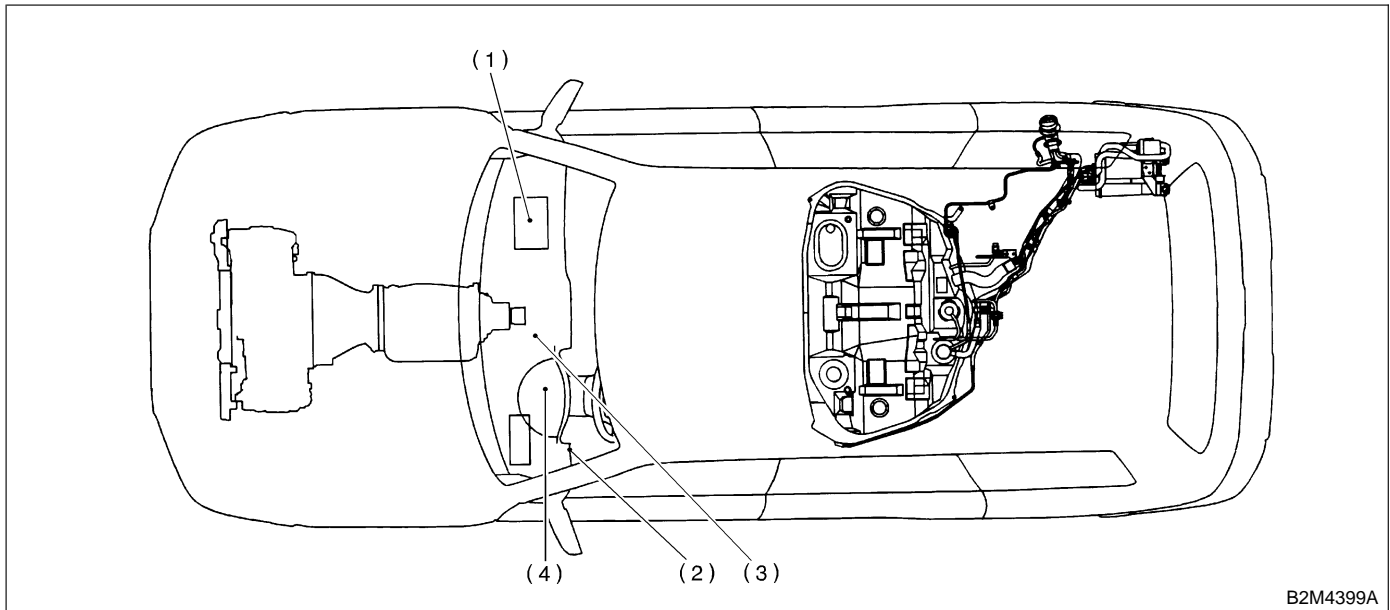


4. Electrical Components Location S048507

A: LOCATION S048507A13

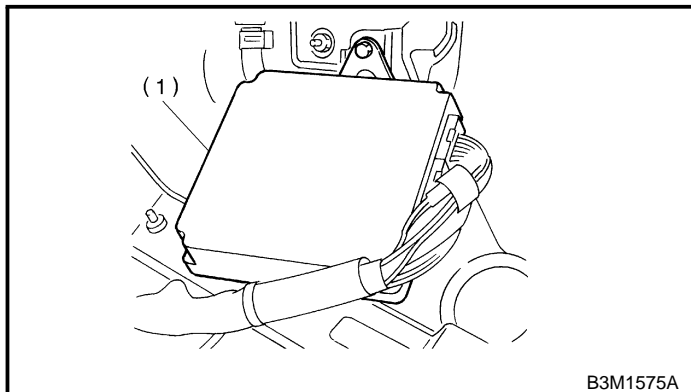
1. ENGINE S048507A1301

● MODULE S048507A130101

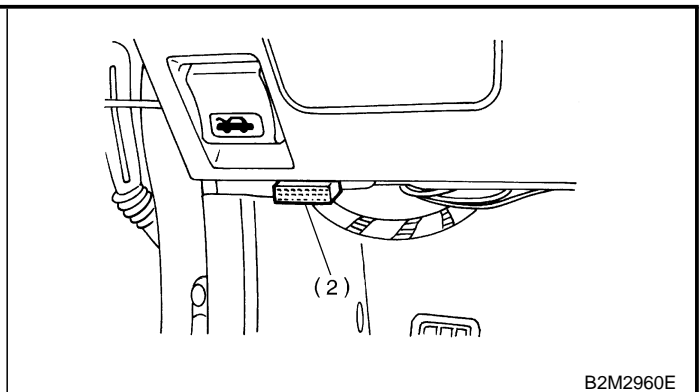


B2M4399A

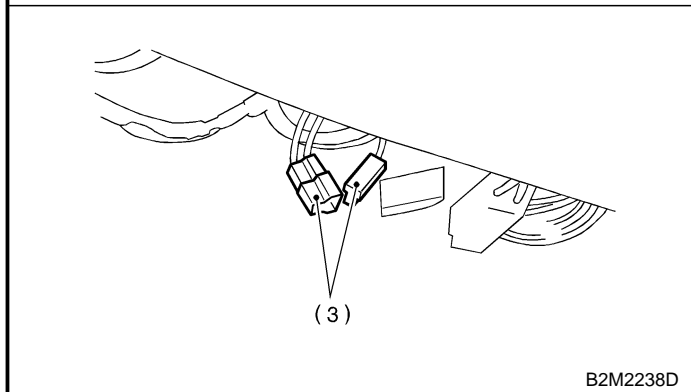
- | | |
|--|---|
| (1) Engine control module (ECM) | (3) Test mode connector |
| (2) Data link connector (for Subaru Select Monitor and OBD-II general scan tool) | (4) CHECK ENGINE malfunction indicator lamp (MIL) |



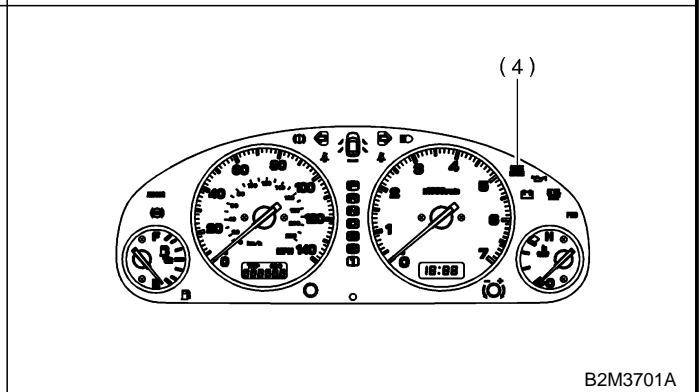
B3M1575A



B2M2960E



B2M2238D

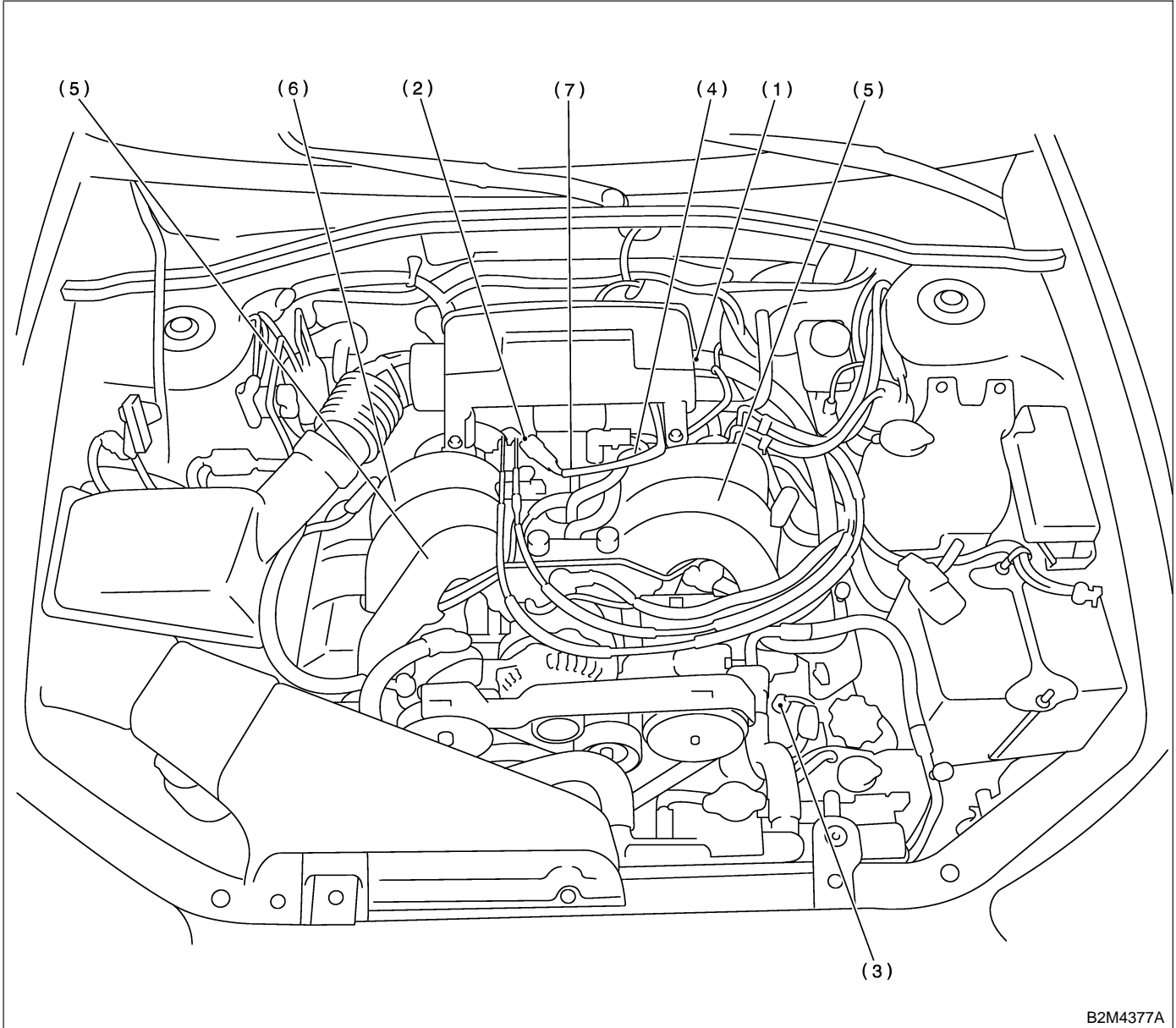


B2M3701A

ELECTRICAL COMPONENTS LOCATION

Engine (DIAGNOSTICS)

● SENSOR S048507A130102

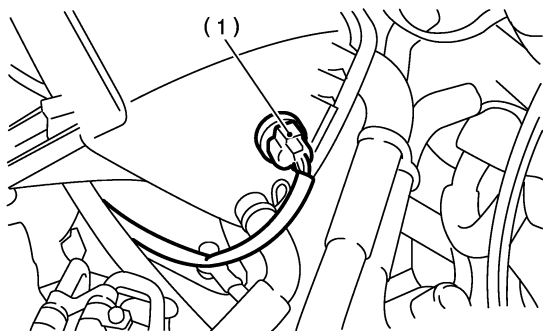


B2M4377A

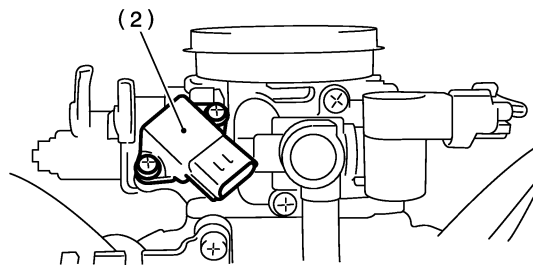
- | | |
|---------------------------------------|--------------------------------|
| (1) Intake air temperature sensor | (4) Throttle position sensor |
| (2) Intake manifold pressure sensor | (5) Knock sensor |
| (3) Engine coolant temperature sensor | (6) Camshaft position sensor |
| | (7) Crankshaft position sensor |

ELECTRICAL COMPONENTS LOCATION

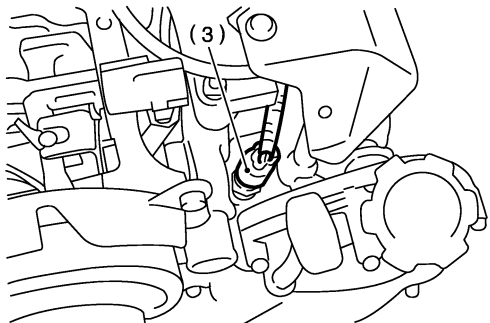
Engine (DIAGNOSTICS)



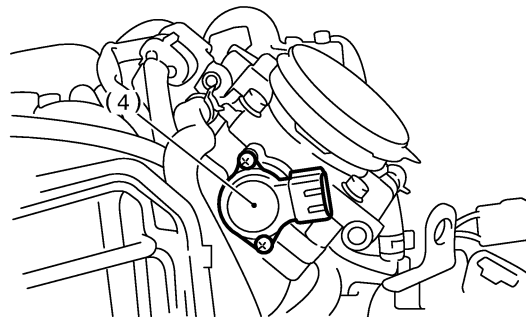
B2M4378A



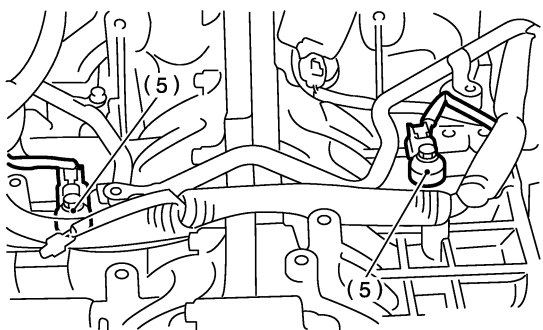
B2M4382A



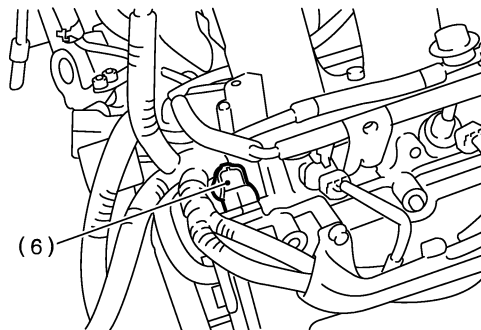
B2M4379A



B2M4383A



B2M4380A



B2M4381A

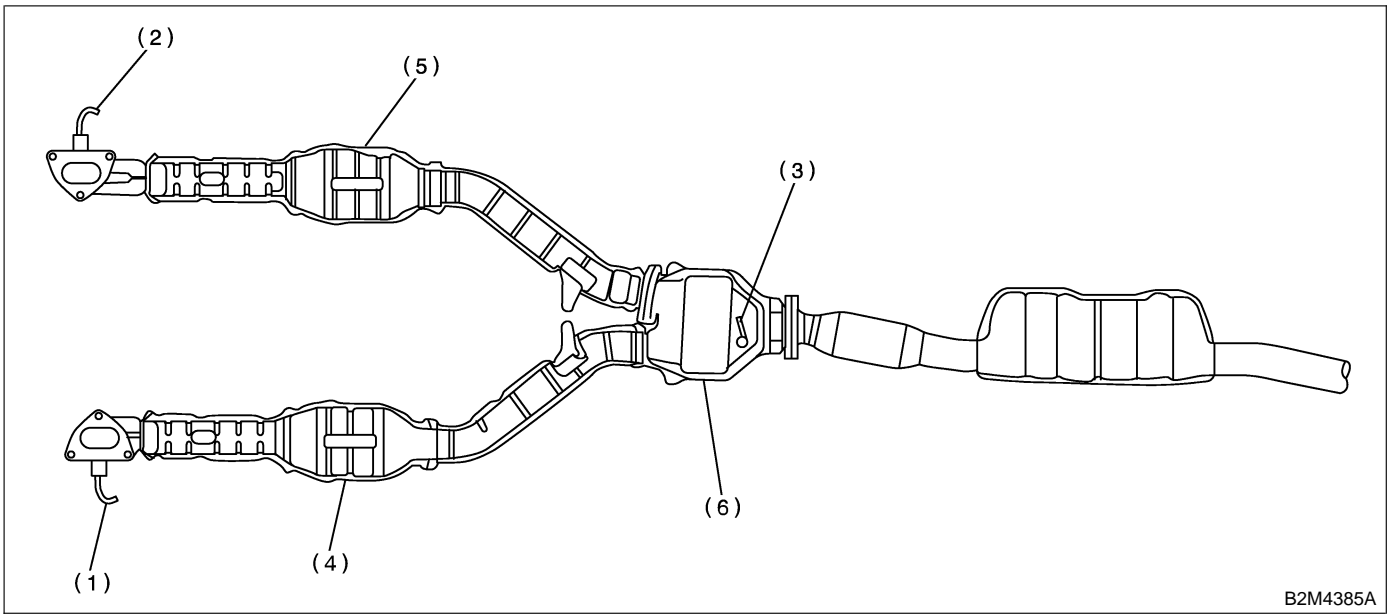


B2M4384A

SUBARU.

ELECTRICAL COMPONENTS LOCATION

Engine (DIAGNOSTICS)



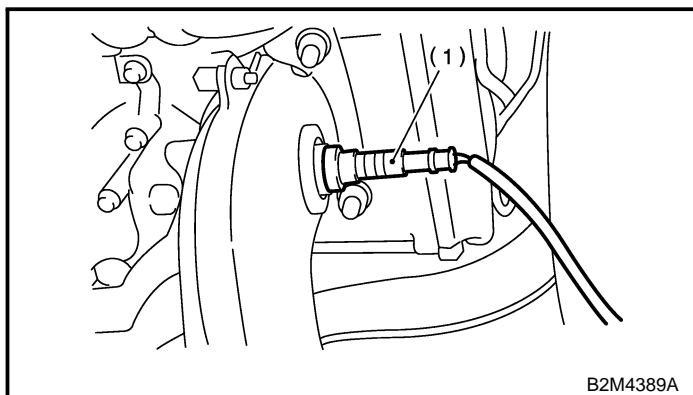
- (1) Front oxygen (A/F) sensor (LH)
- (2) Front oxygen (A/F) sensor (RH)

- (3) Rear oxygen sensor
- (4) Front catalytic converter (LH)

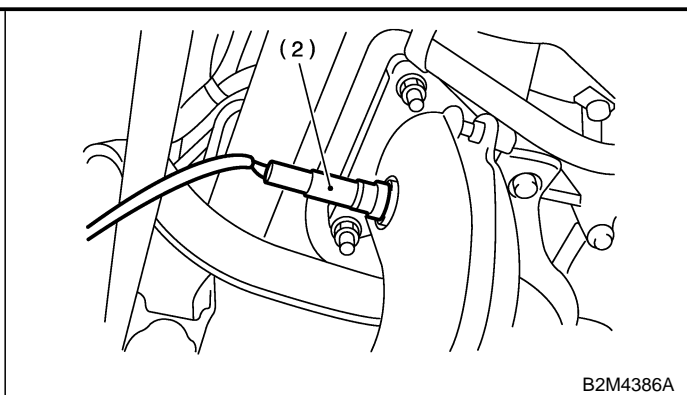
- (5) Front catalytic converter (RH)
- (6) Rear catalytic converter

ELECTRICAL COMPONENTS LOCATION

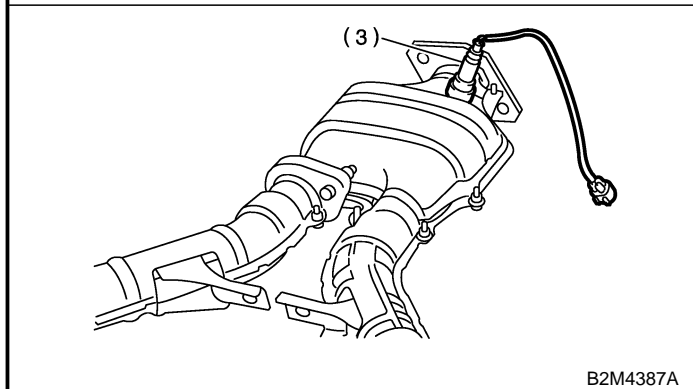
Engine (DIAGNOSTICS)



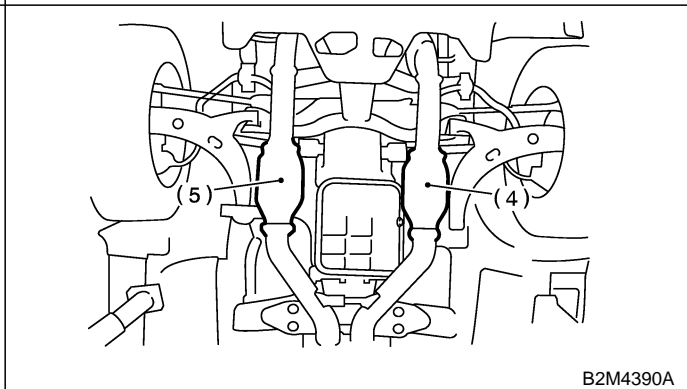
B2M4389A



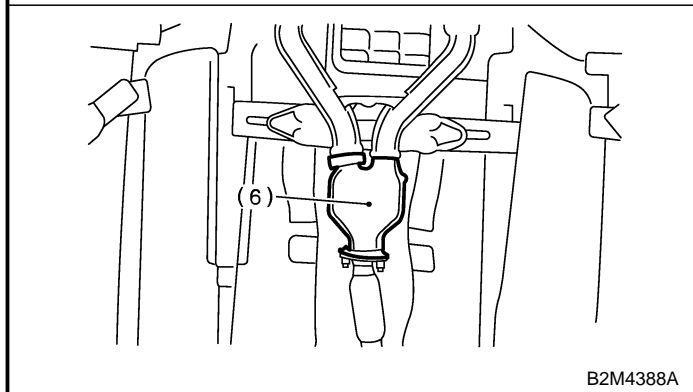
B2M4386A



B2M4387A



B2M4390A

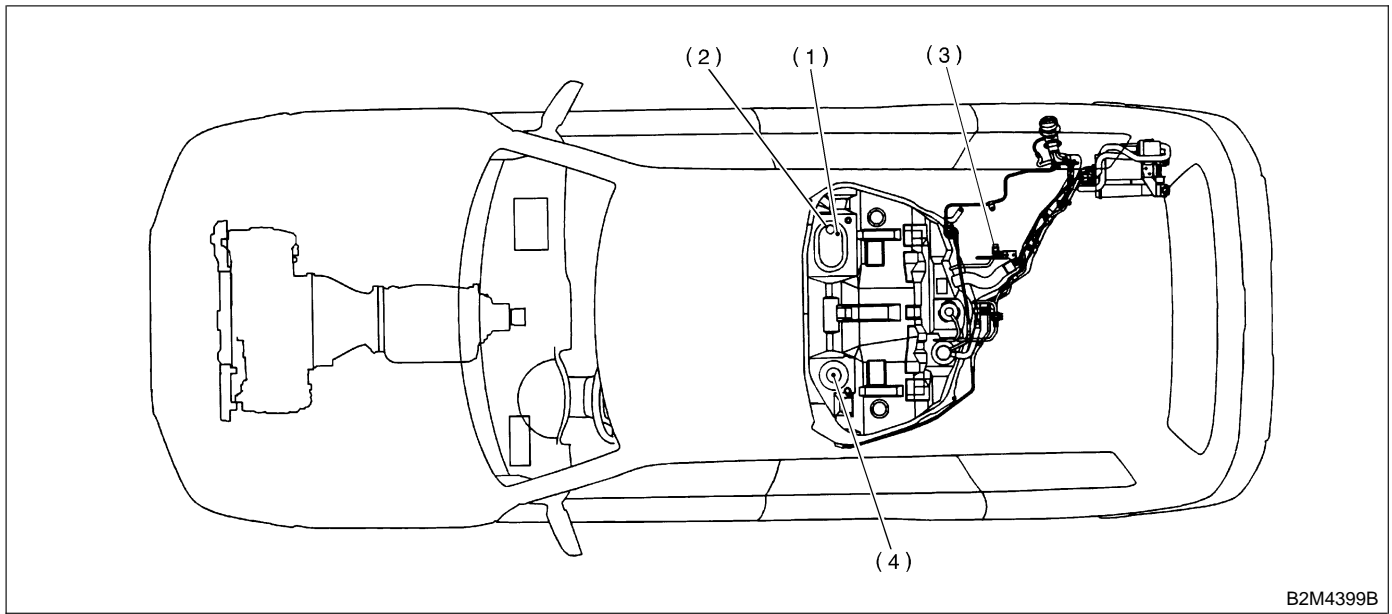


B2M4388A

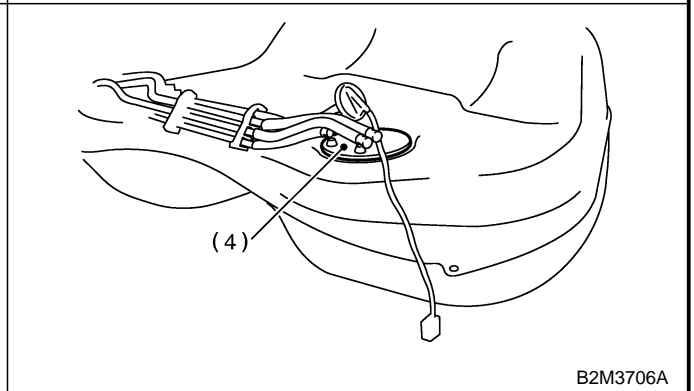
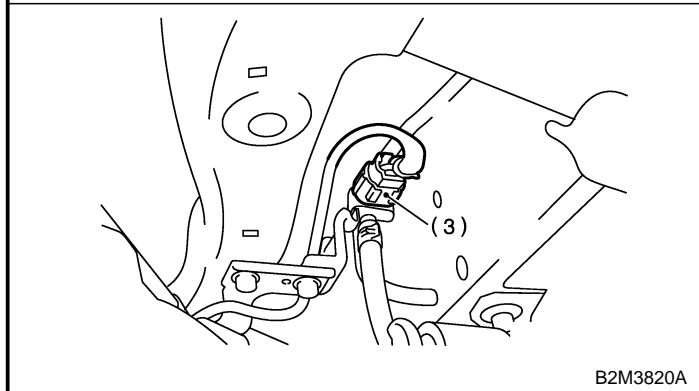
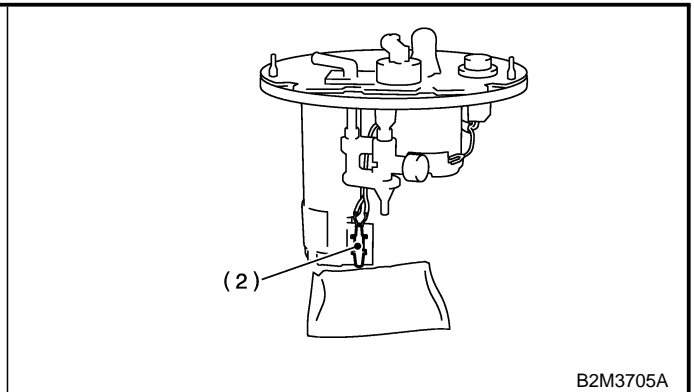
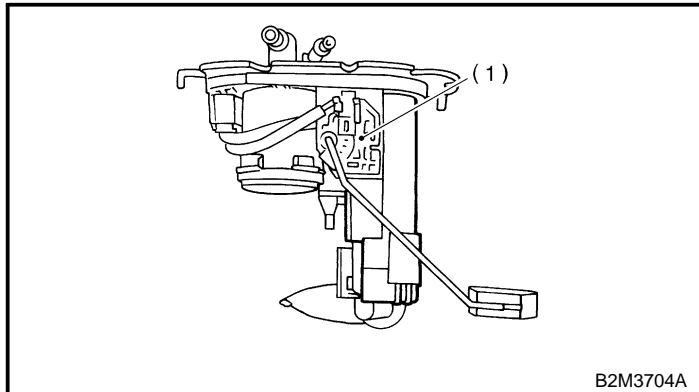
SUBARU.

ELECTRICAL COMPONENTS LOCATION

Engine (DIAGNOSTICS)



- (1) Fuel level sensor
- (2) Fuel temperature sensor
- (3) Fuel tank pressure sensor
- (4) Fuel sub level sensor



ELECTRICAL COMPONENTS LOCATION

Engine (DIAGNOSTICS)

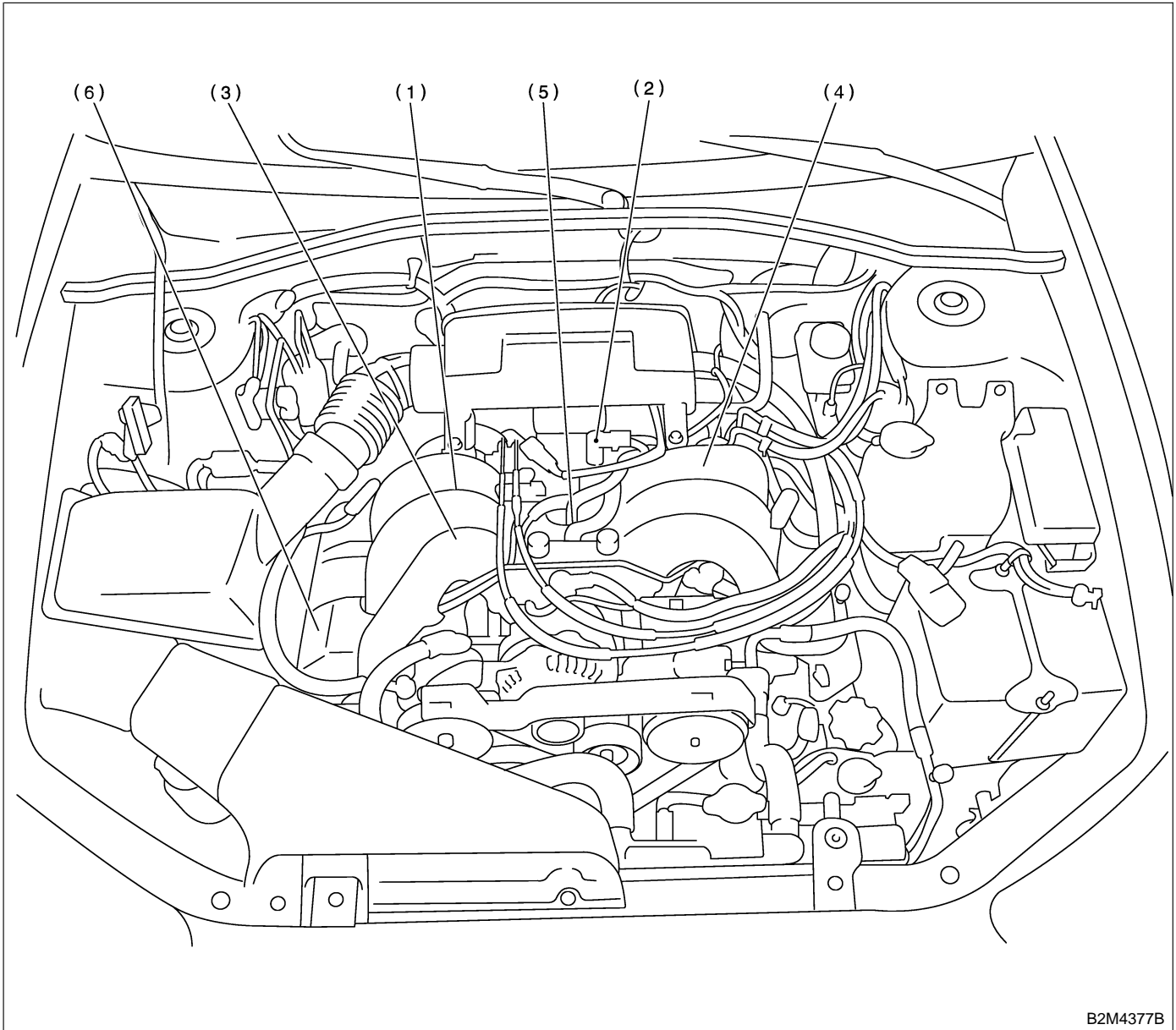
MEMO:

ELECTRICAL COMPONENTS LOCATION

Engine (DIAGNOSTICS)

● SOLENOID VALVE, EMISSION CONTROL SYSTEM PARTS AND IGNITION SYSTEM PARTS

S048507A130103



B2M4377B

(1) Induction control solenoid valve

(3) Purge control solenoid valve

(5) Induction control valve

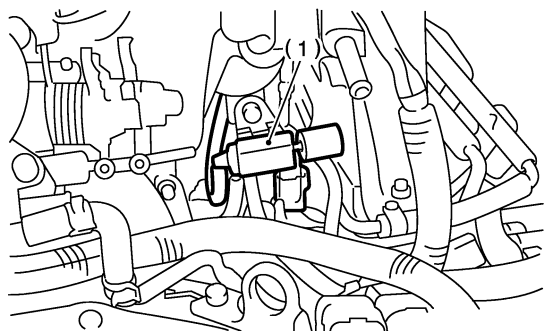
(2) Idle air control solenoid valve

(4) EGR solenoid valve

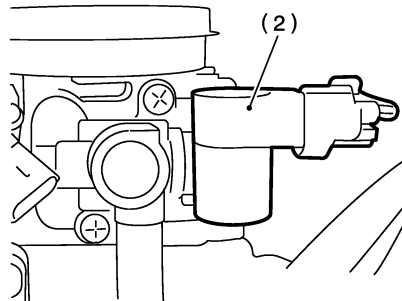
(6) Ignition coil & ignitor ASSY

ELECTRICAL COMPONENTS LOCATION

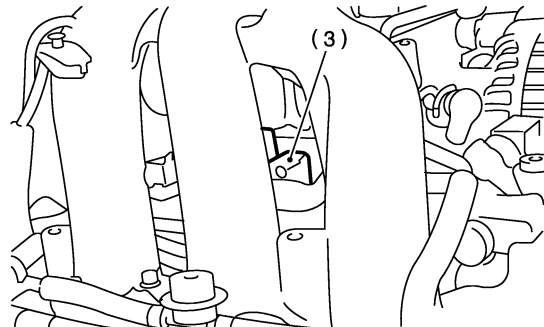
Engine (DIAGNOSTICS)



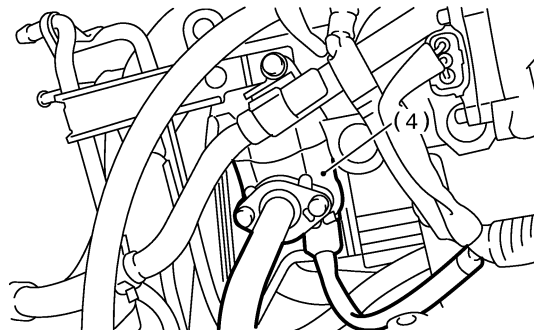
B2M4391A



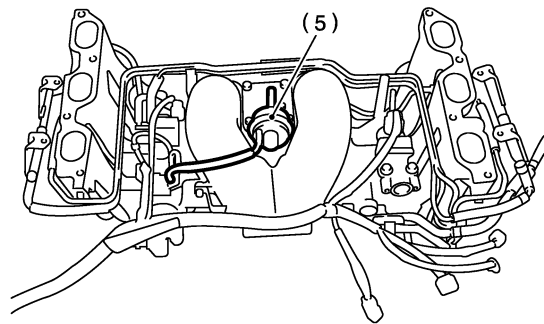
B2M4394A



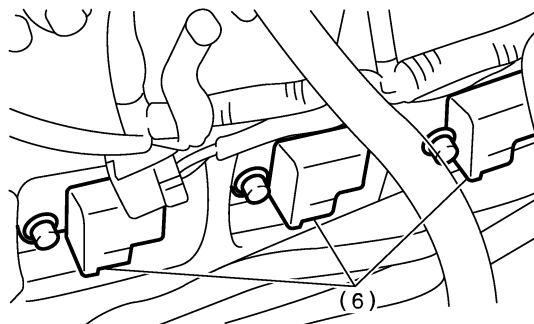
B2M4392A



B2M4395A



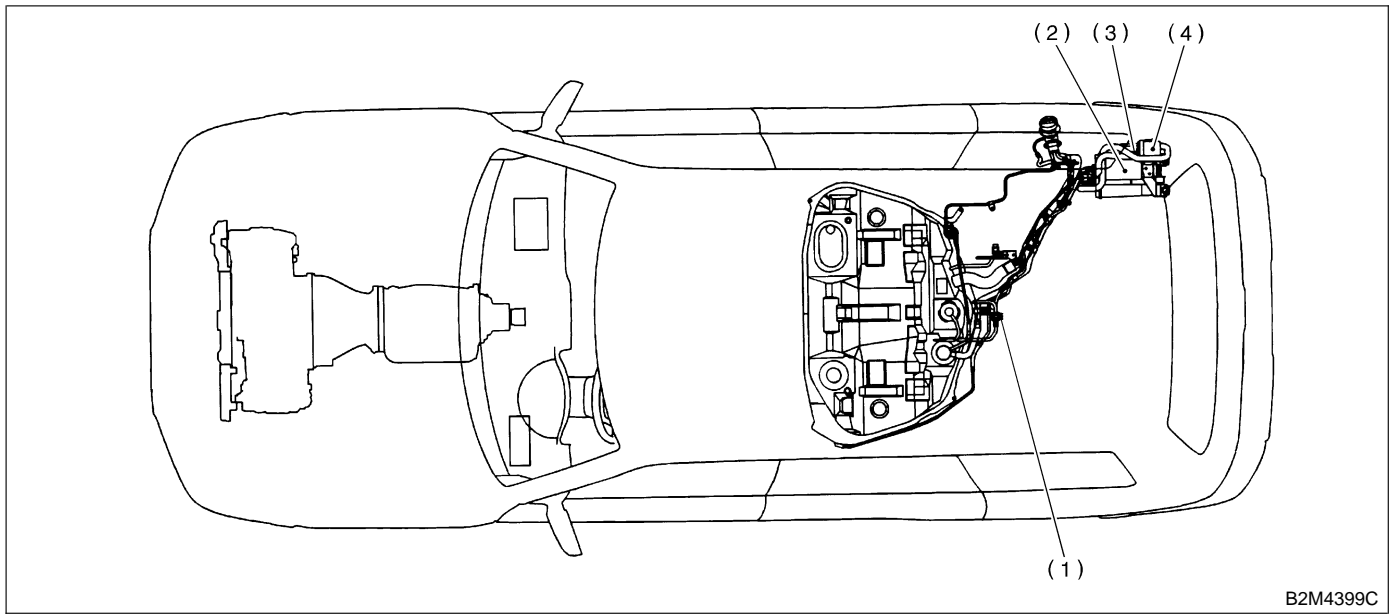
B2M4393A



B2M4396A

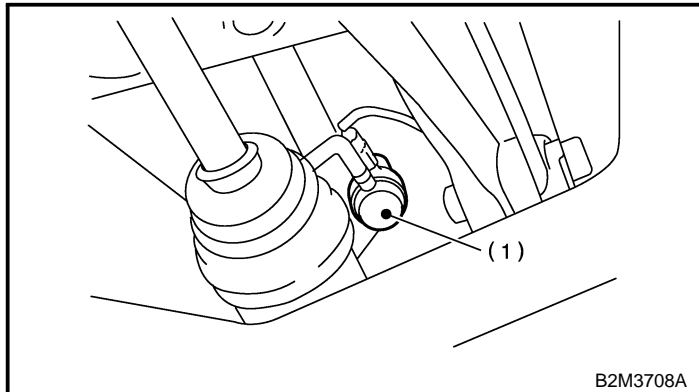
ELECTRICAL COMPONENTS LOCATION

Engine (DIAGNOSTICS)

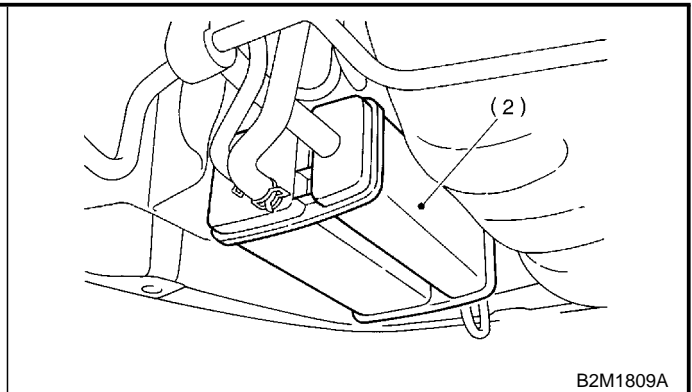


B2M4399C

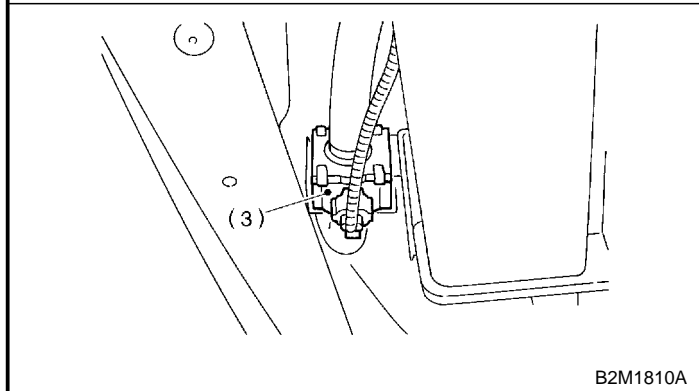
- (1) Pressure control solenoid valve
- (2) Canister
- (3) Drain valve
- (4) Drain filter



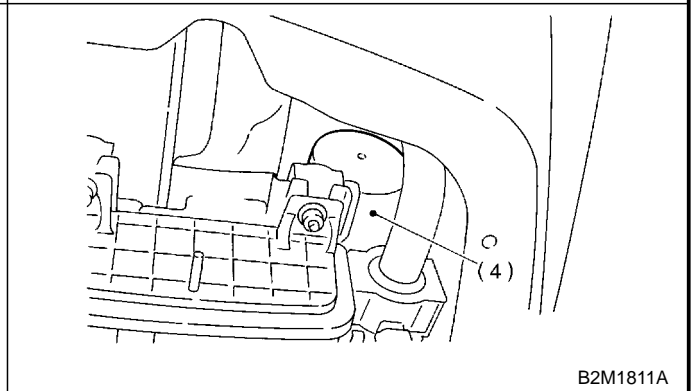
B2M3708A



B2M1809A



B2M1810A

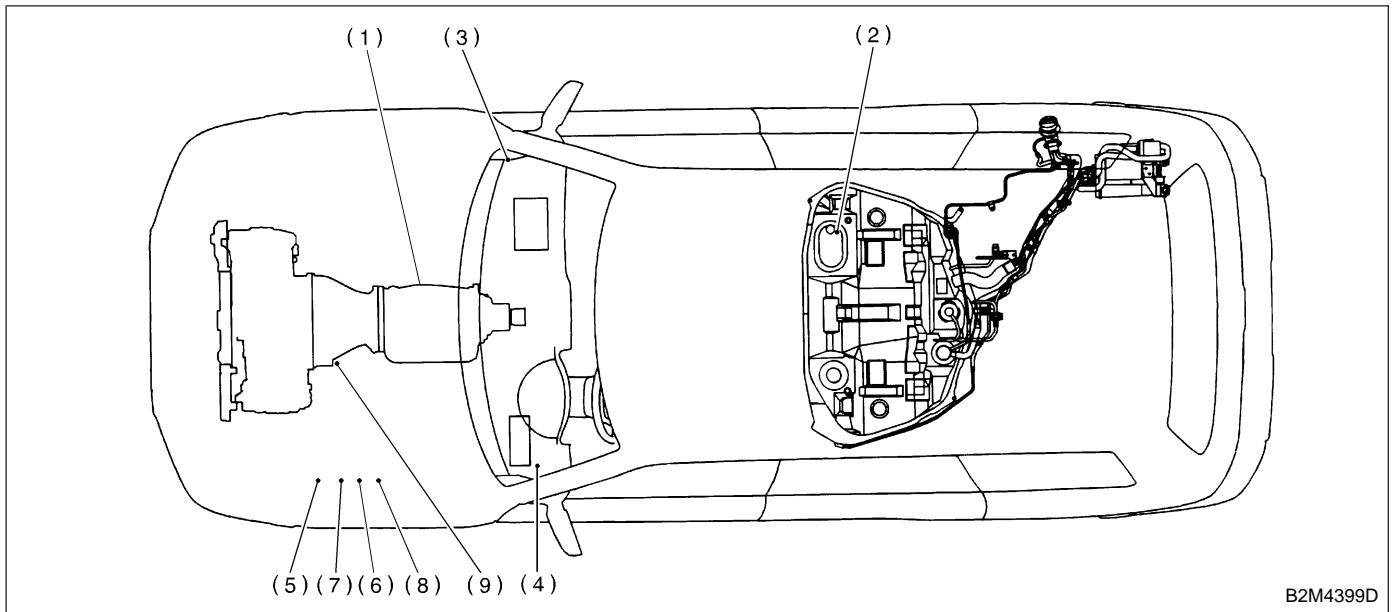


B2M1811A

MEMO:

ELECTRICAL COMPONENTS LOCATION

Engine (DIAGNOSTICS)



(1) Inhibitor switch

(2) Fuel pump

(3) Main relay

(4) Fuel pump relay

(5) Radiator main fan relay-1

(6) Radiator sub fan relay-1

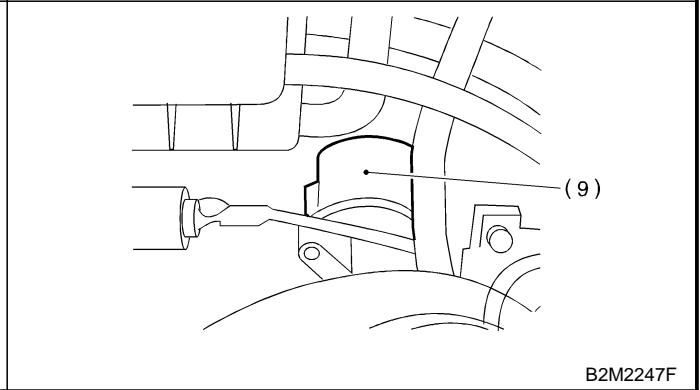
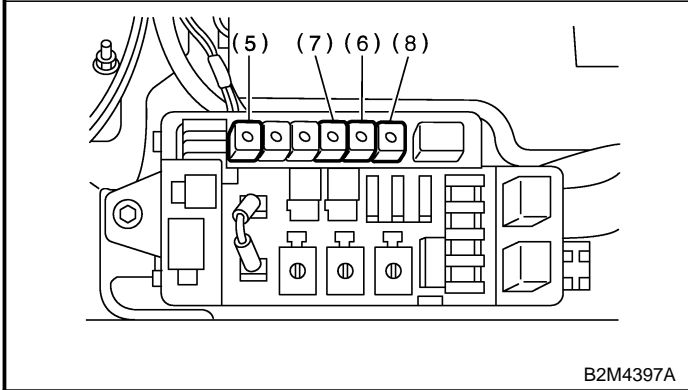
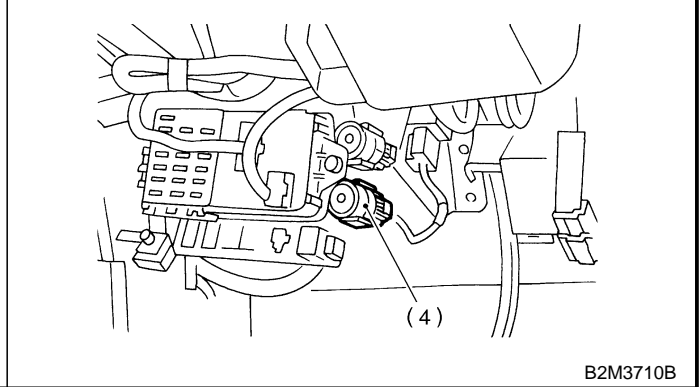
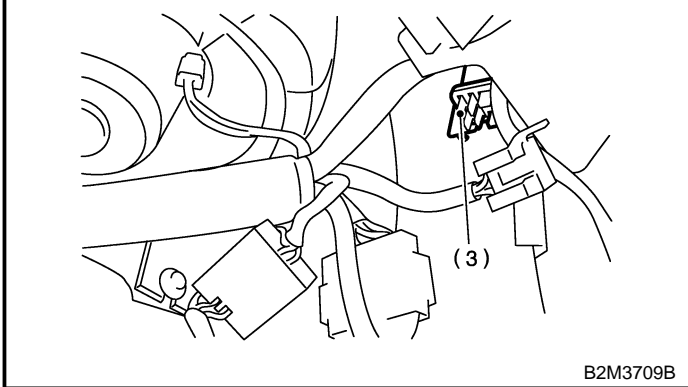
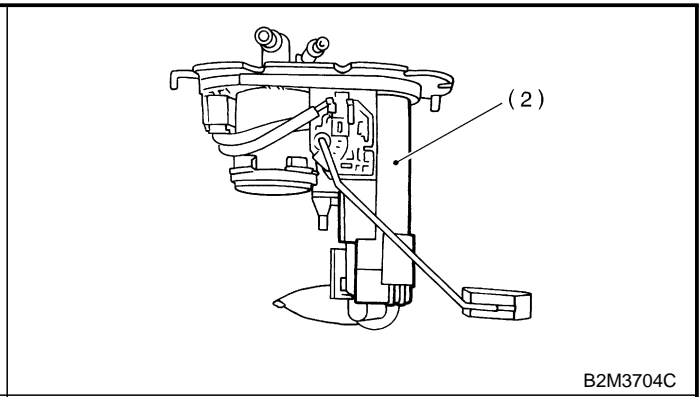
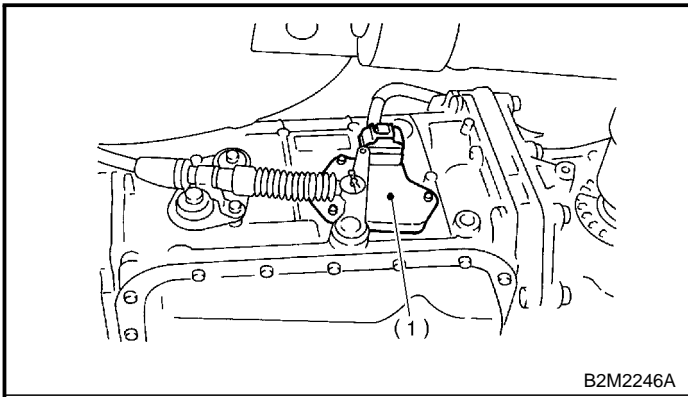
(7) Radiator main fan relay-2

(8) Radiator sub fan relay-2

(9) Starter

ELECTRICAL COMPONENTS LOCATION

Engine (DIAGNOSTICS)

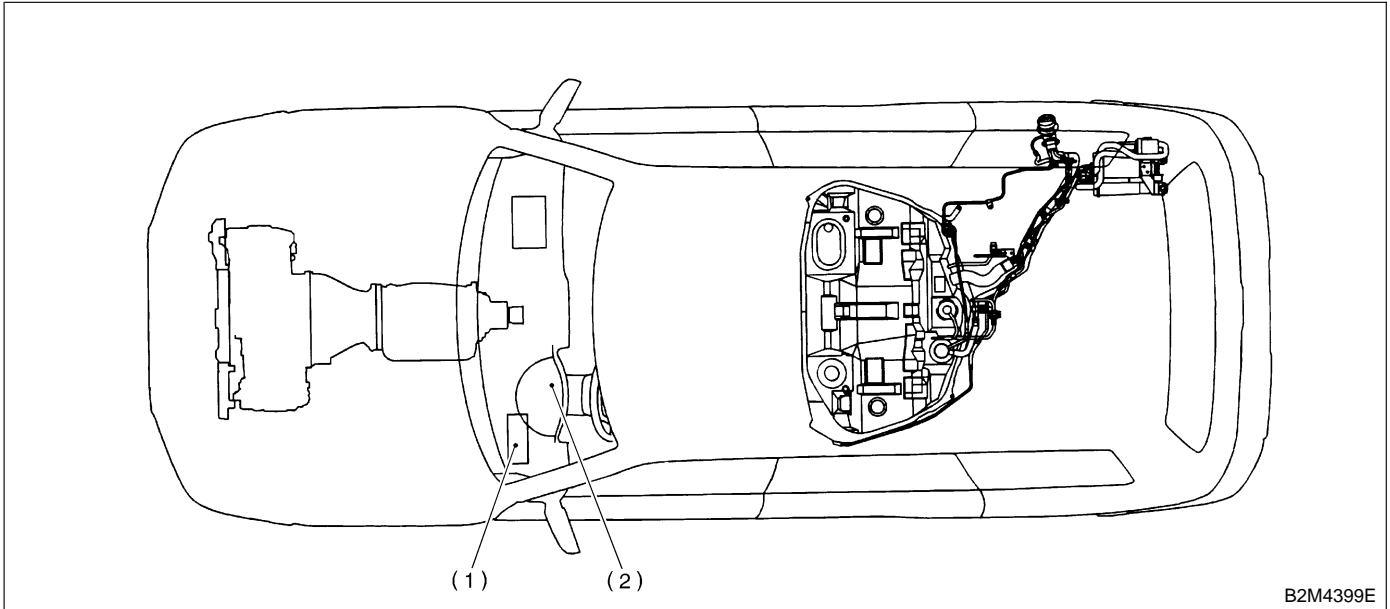


ELECTRICAL COMPONENTS LOCATION

Engine (DIAGNOSTICS)

2. TRANSMISSION S048507A1302

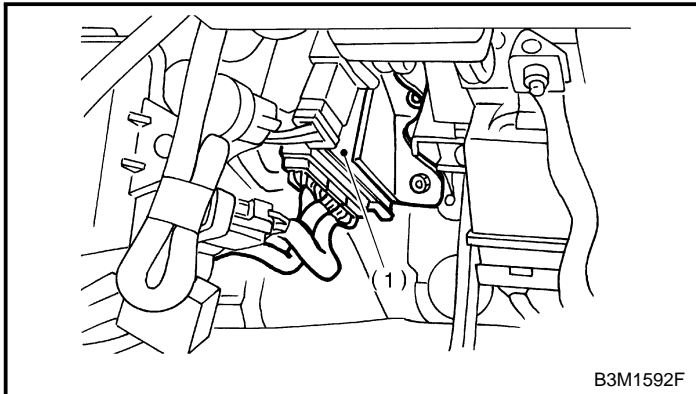
● MODULE S048507A130201



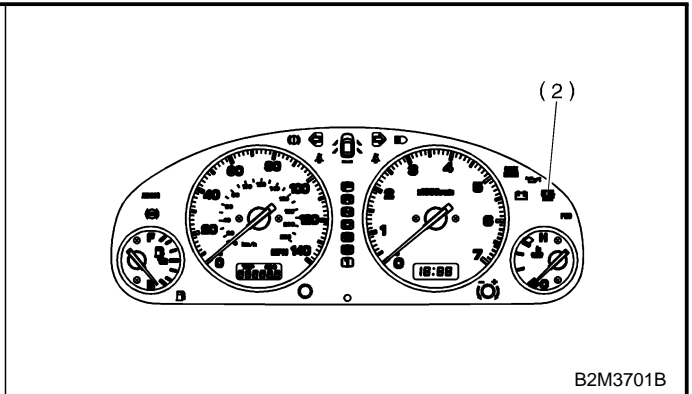
B2M4399E

(1) Transmission Control Module (TCM)

(2) AT diagnostic indicator light



B3M1592F

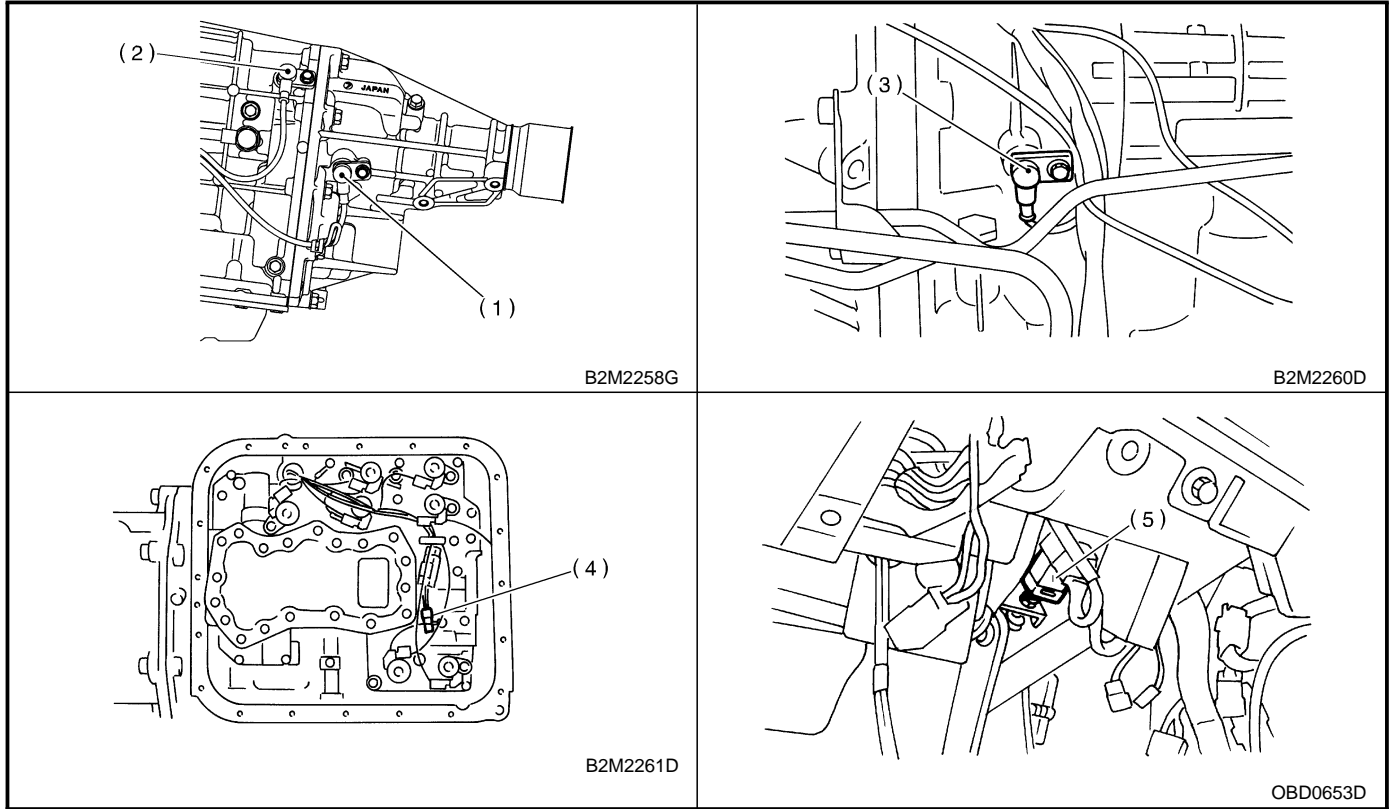


B2M3701B

ELECTRICAL COMPONENTS LOCATION

Engine (DIAGNOSTICS)

● SENSOR S048507A130202

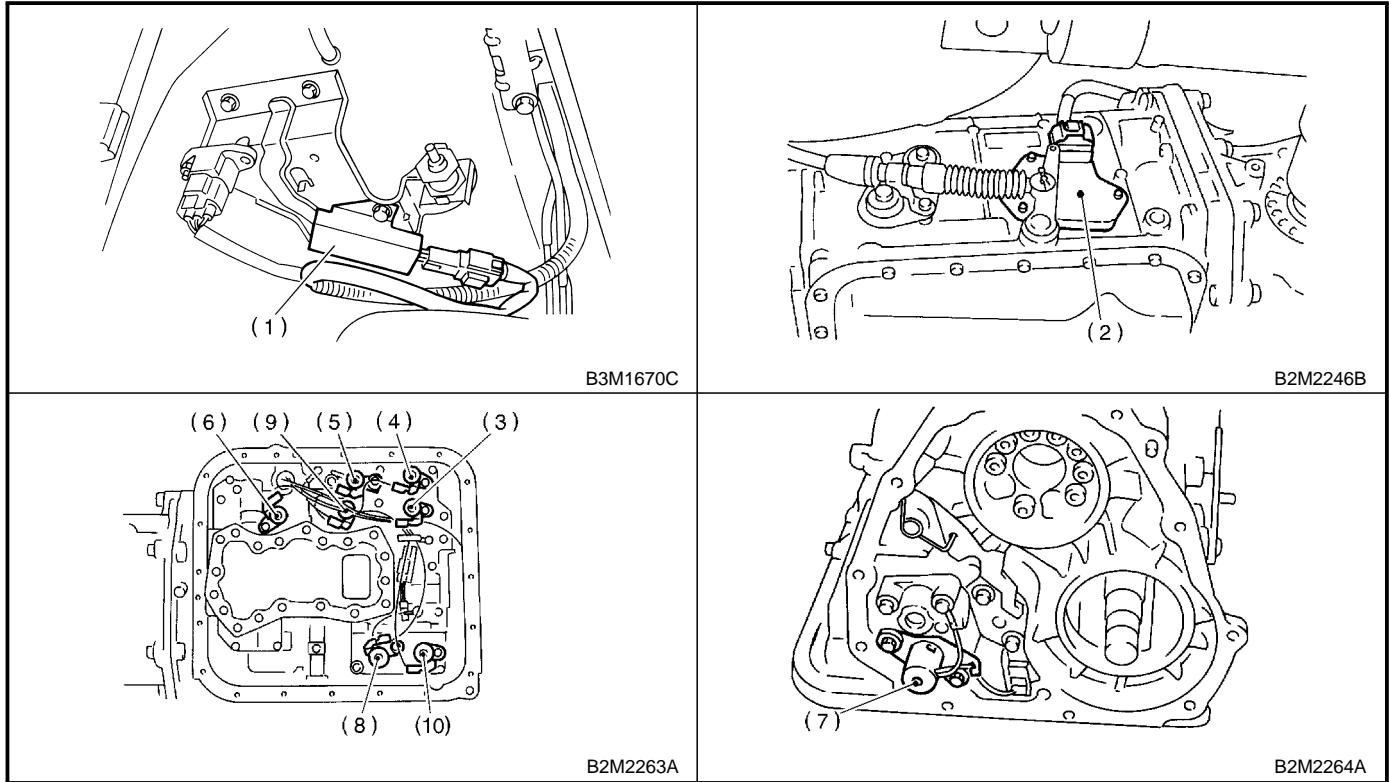


- (1) Rear vehicle speed sensor
- (2) Front vehicle speed sensor
- (3) Torque converter turbine speed sensor
- (4) ATF temperature sensor
- (5) Brake light switch

ELECTRICAL COMPONENTS LOCATION

Engine (DIAGNOSTICS)

● SOLENOID VALVE AND SWITCH S048507A130203



- (1) Dropping resistor
- (2) Inhibitor switch
- (3) Shift solenoid valve 1
- (4) Shift solenoid valve 2
- (5) Line pressure duty solenoid
- (6) Lock-up duty solenoid
- (7) Transfer duty solenoid
- (8) 2-4 brake duty solenoid
- (9) Low clutch timing solenoid valve
- (10) 2-4 brake timing solenoid valve

ELECTRICAL COMPONENTS LOCATION

Engine (DIAGNOSTICS)

MEMO: