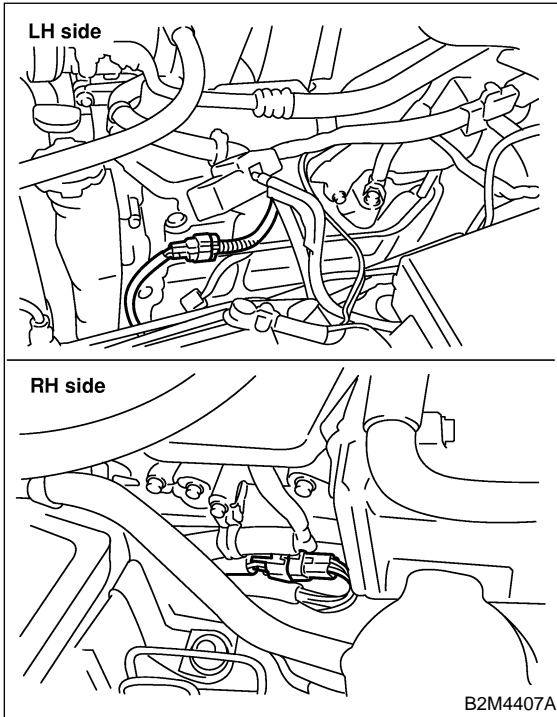


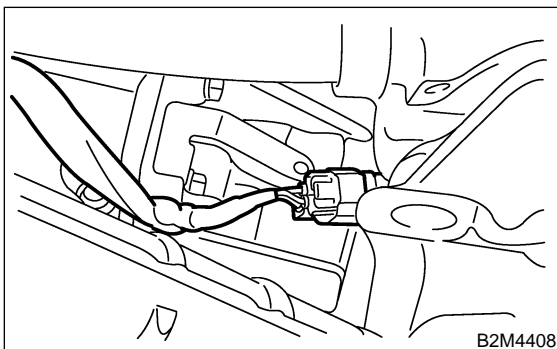
2. Front Exhaust Pipe S142065

A: REMOVAL S142065A18

- 1) Remove battery.
- 2) Remove air cleaner case and air intake duct.
<Ref. to IN(H6)-5, REMOVAL, Air cleaner.> and
<Ref. to IN(H6)-7, REMOVAL, Air Intake Duct.>
- 3) Disconnect front oxygen (A/F) sensor connector.



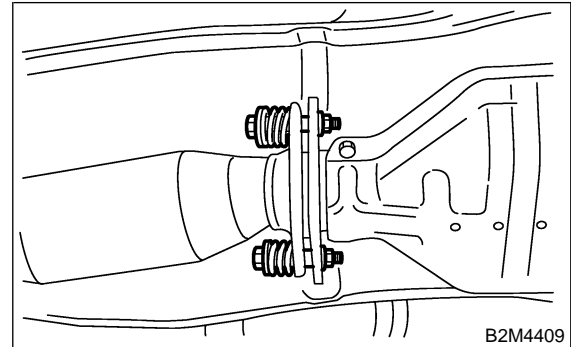
- 4) Lift-up the vehicle.
- 5) Disconnect rear oxygen sensor connector.



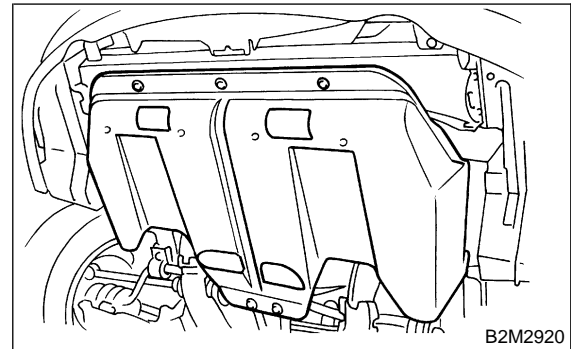
- 6) Separate front exhaust pipe assembly from rear exhaust pipe.

WARNING:

Be careful, exhaust pipe is hot.



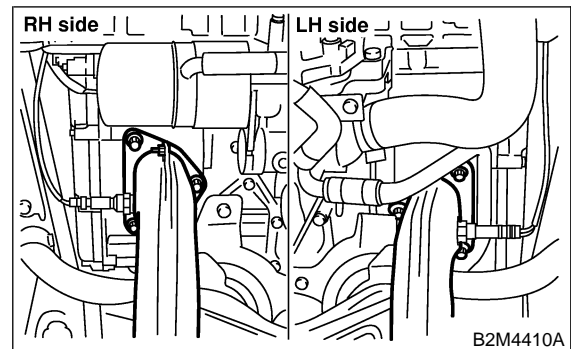
- 7) Remove under cover.



- 8) Remove bolts which hold front exhaust pipe onto cylinder heads.

CAUTION:

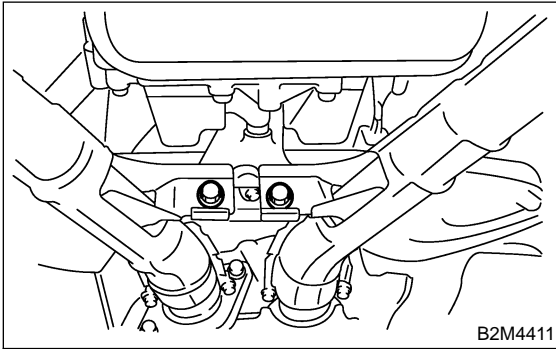
Be careful not to pull down front and center exhaust pipe assembly.



FRONT EXHAUST PIPE

Exhaust

- 9) Remove bolt which secures front exhaust pipe assembly to hanger bracket.

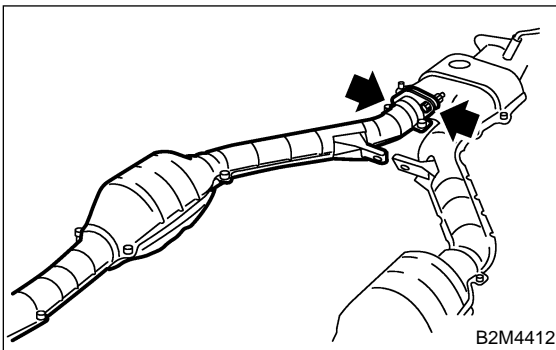


- 10) Remove front exhaust pipe from the vehicle.

CAUTION:

- Be careful not to let front exhaust pipe assembly fall off when removing as it is quite heavy.
- After removing front exhaust assembly, do not apply excessive pulling force on rear exhaust pipe.

- 11) Separate front exhaust pipe (RH) from front exhaust pipe assembly.

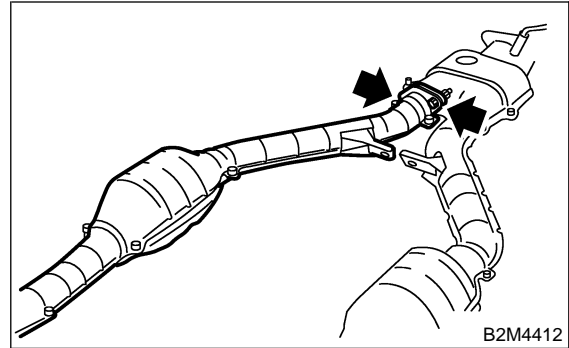


B: INSTALLATION S142065A11

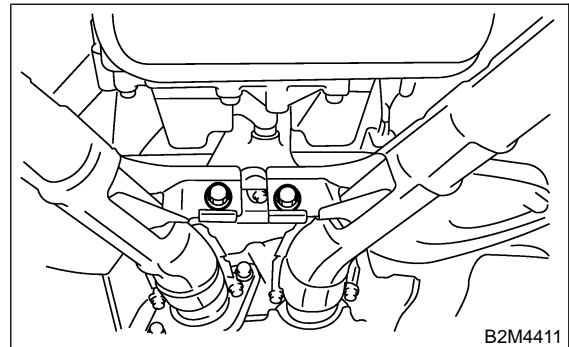
- 1) Install front exhaust pipe (RH) to front exhaust pipe assembly.

CAUTION:
Replace gaskets with new ones.

Tightening torque:
30 N·m (3.1 kgf·m, 22.4 ft·lb)

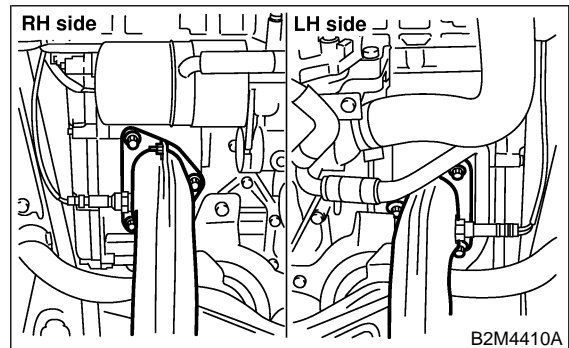


- 2) Install front and rear exhaust pipe assembly to the vehicle.
3) Temporarily tighten bolt which installs front exhaust pipe assembly to hanger bracket.



- 4) Tighten bolts which hold front exhaust pipe onto cylinder heads.

Tightening torque:
30 N·m (3.1 kgf·m, 22.4 ft·lb)

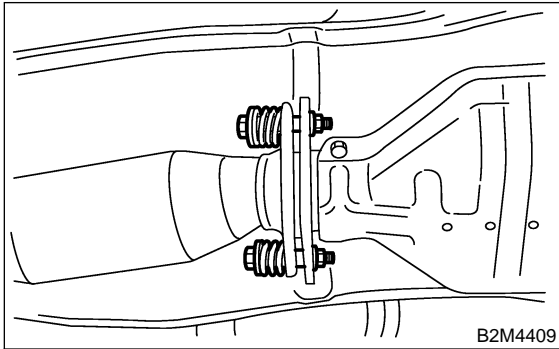


- 5) Install under cover.

6) Tighten bolts which install front exhaust pipe to rear exhaust pipe.

Tightening torque:

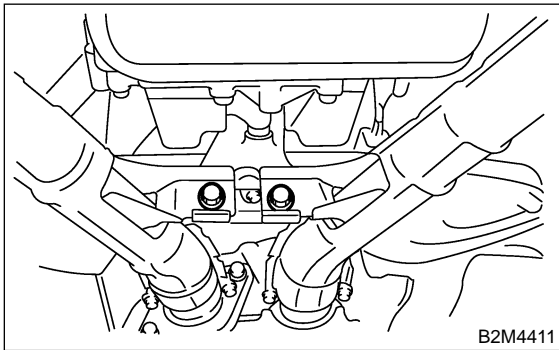
18 N·m (1.8 kgf-m, 13.0 ft-lb)



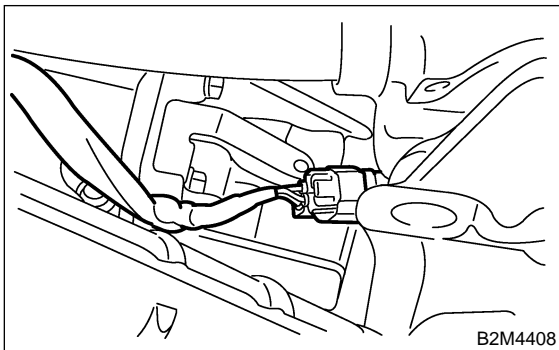
7) Tighten bolt which holds front exhaust pipe assembly to hanger bracket.

Tightening torque:

35 N·m (3.6 kgf-m, 26.0 ft-lb)

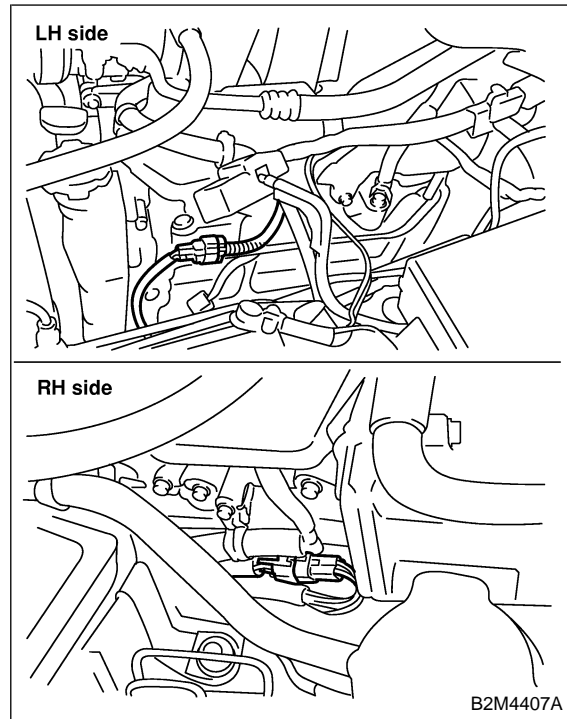


8) Connect rear oxygen sensor connector.



9) Lower the vehicle.

10) Connect front oxygen (A/F) sensor connectors.



11) Install air cleaner case and air intake duct. <Ref. to IN(H6)-5, INSTALLATION, Air Cleaner.> and <Ref. to IN(H6)-7, INSTALLATION, Air Intake Duct.>

12) Install battery.

C: INSPECTION S142065A10

- 1) Make sure there are no exhaust leaks from connections and welds.
- 2) Make sure there are no holes or rusting.