

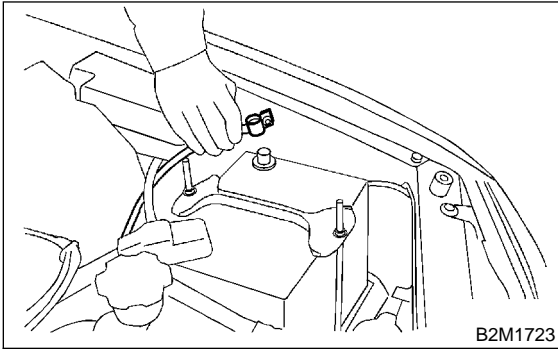
# THROTTLE BODY

Fuel Injection (Fuel Systems)

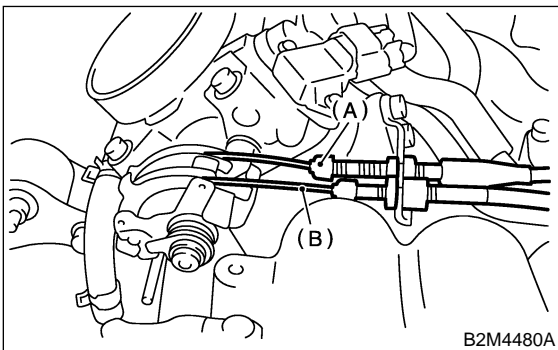
## 2. Throttle Body S145010

### A: REMOVAL S145010A18

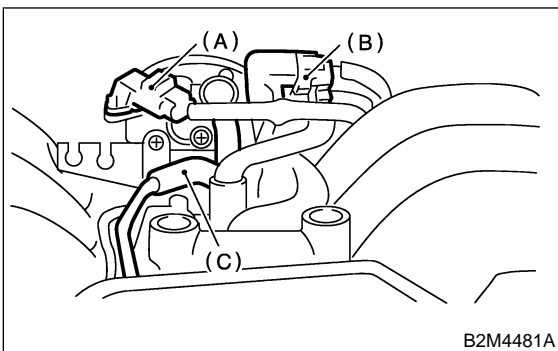
- 1) Disconnect battery ground cable.



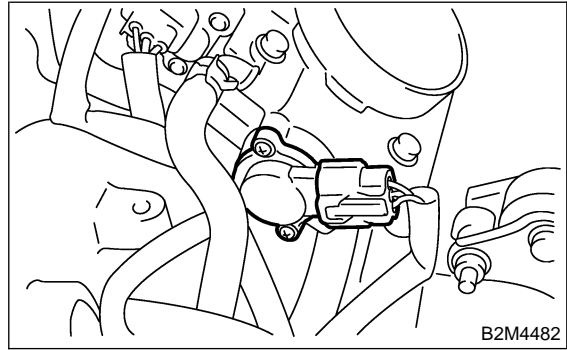
- 2) Remove air intake chamber. <Ref. to IN(H6)-6, REMOVAL, Air Intake Chamber.>
- 3) Disconnect accelerator cable (A).
- 4) Disconnect cruise control cable (B). (With cruise control model)



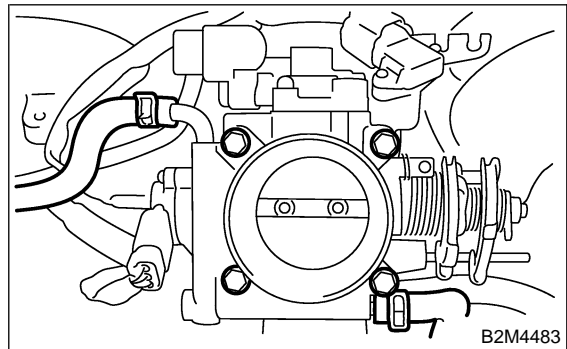
- 5) Disconnect connectors from intake manifold pressure sensor (A) and idle air control solenoid valve (B).
- 6) Disconnect air by-pass hose (C) from idle air control solenoid valve.



- 7) Disconnect throttle position sensor connector.



- 8) Disconnect engine coolant hoses from throttle body.
- 9) Remove bolts which secure throttle body to intake manifold.



### B: INSTALLATION S145010A11

Install in the reverse order of removal.

**CAUTION:**  
Always use a new gasket.

**Tightening torque:**  
**Throttle body;**  
**22 N·m (2.2 kgf-m, 15.9 ft-lb)**