

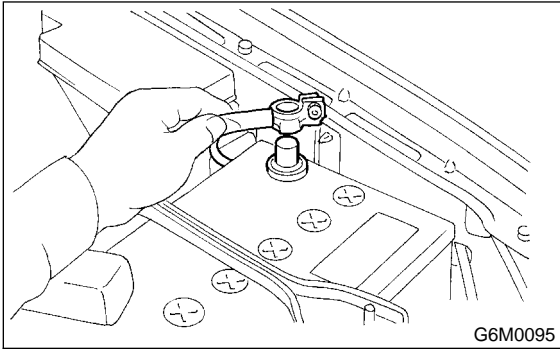
ENGINE CONTROL MODULE

Fuel Injection (Fuel Systems)

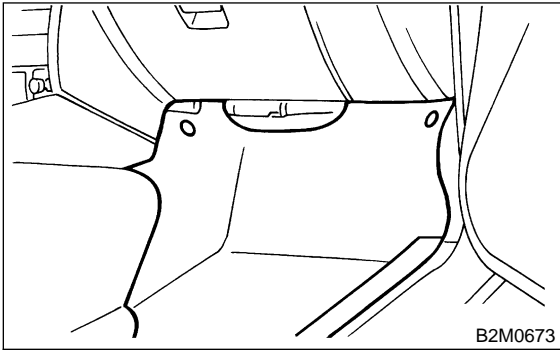
17. Engine Control Module S145049

A: REMOVAL S145049A18

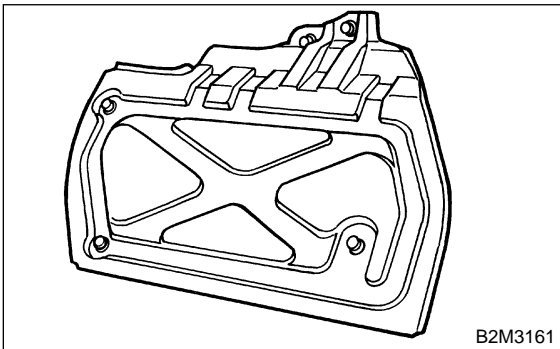
- 1) Disconnect battery ground cable.



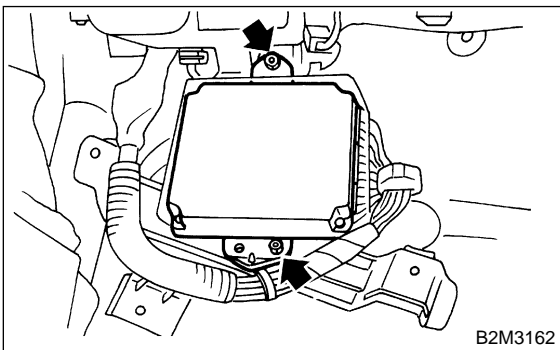
- 2) Remove lower inner trim of passenger side.
<Ref. to EI-43, REMOVAL, Lower Inner Trim.>
- 3) Detach floor mat of front passenger seat.



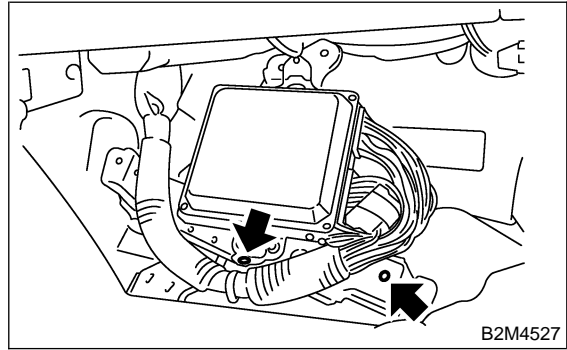
- 4) Remove protect cover.



- 5) Remove nuts which hold ECM to bracket.



- 6) Remove clip from bracket.



- 7) Disconnect ECM connectors and take out ECM.

B: INSTALLATION S145049A11

Install in the reverse order of removal.

CAUTION:
When replacing ECM, be careful not to use the wrong spec. ECM to avoid any damage to the fuel injection system.