

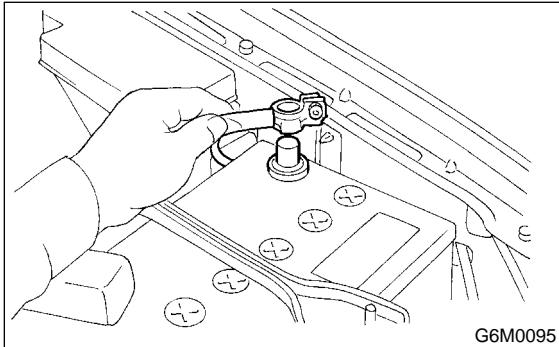
## 25. Fuel Sub Level Sensor S145023

### A: REMOVAL S145023A18

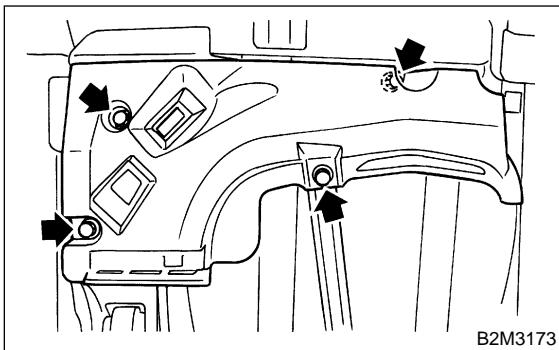
**WARNING:**

- Place “NO FIRE” signs near the working area.
- Be careful not to spill fuel on the floor.

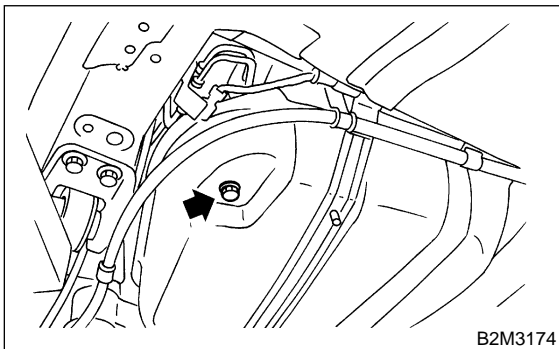
- 1) Disconnect battery ground cable.



- 2) Lift-up the vehicle.
- 3) Remove front side fuel tank cover.



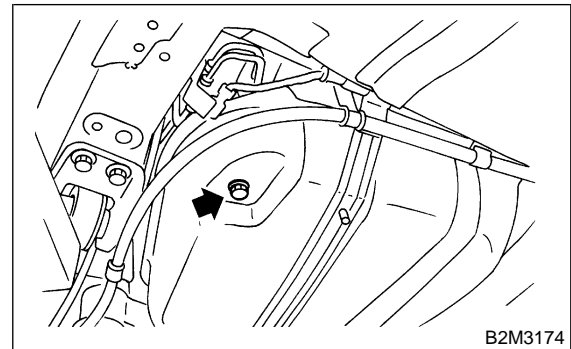
- 4) Drain fuel from fuel tank. Set a container under the vehicle and remove drain plug from fuel tank.



- 5) Tighten fuel drain plug and install front right side fuel tank cover.

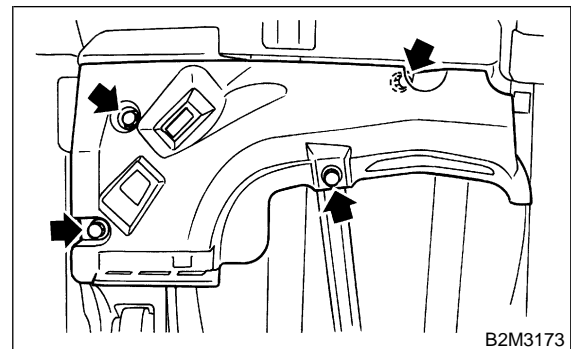
**Tightening torque:**

**26 N-m (2.65 kgf-m, 19.2 ft-lb)**

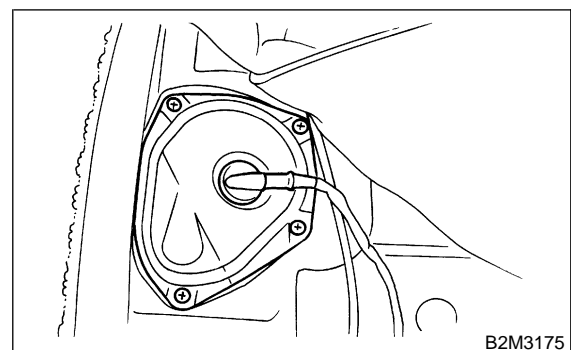


**Tightening torque:**

**18 N-m (1.8 kgf-m, 13.0 ft-lb)**



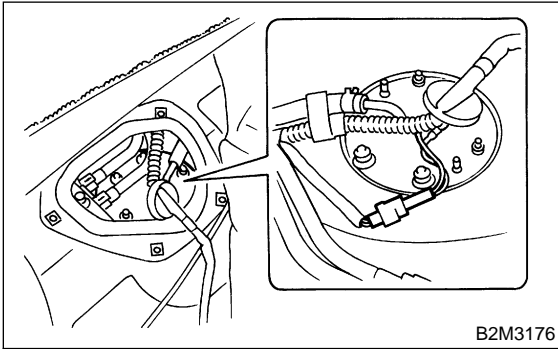
- 6) Raise rear seat and turn floor mat up. (Wagon model)
- 7) Remove rear seat. (Sedan model)
- 8) Remove service hole cover.



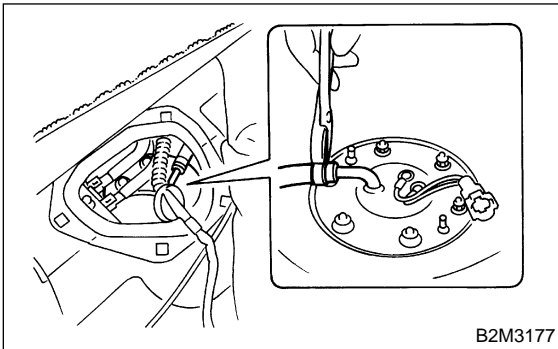
# FUEL SUB LEVEL SENSOR

Fuel Injection (Fuel Systems)

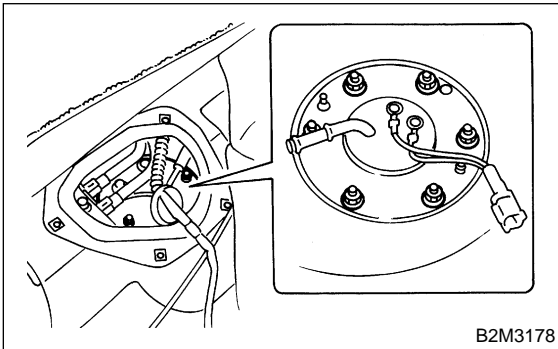
- 9) Disconnect connector from fuel sub level sensor.



- 10) Disconnect fuel jet pump hose.



- 11) Remove bolts which install fuel sub level sensor on fuel tank.



- 12) Remove fuel sub level sensor.

## B: INSTALLATION S145023A11

Install in the reverse order of removal.

**Tightening torque:**

**4.4 N·m (0.45 kgf-m, 3.3 ft-lb)**

