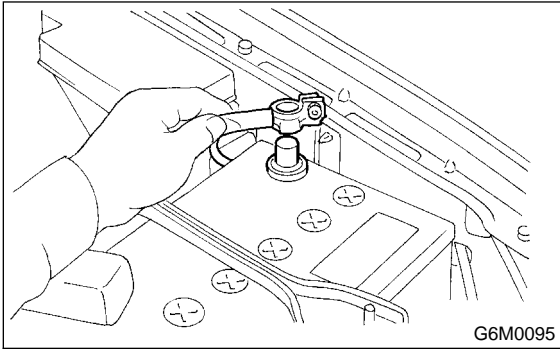


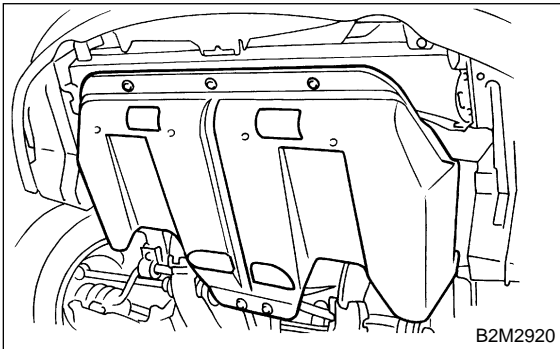
5. Oil Pump Relief Valve S148744

A: REMOVAL S148744A18

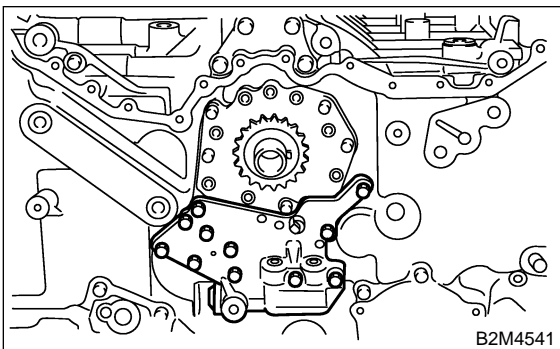
- 1) Disconnect battery ground cable.



- 2) Lift-up the vehicle.
- 3) Remove under cover.



- 4) Drain coolant. <Ref. to CO(H6)-18 DRAINING OF ENGINE COOLANT, REPLACEMENT, Engine Coolant.>
- 5) Lower the vehicle.
- 6) Remove radiator. <Ref. to CO(H6)-23, REMOVAL, Radiator.>
- 7) Remove V-belt. <Ref. to ME(H6)-31, REMOVAL, V-belt.>
- 8) Remove front chain cover. <Ref. to ME(H6)-43, REMOVAL, Front Chain Cover.>
- 9) Remove timing chain assembly. <Ref. to ME(H6)-45, REMOVAL, Timing Chain Assembly.>
- 10) Remove oil pump relief valve.

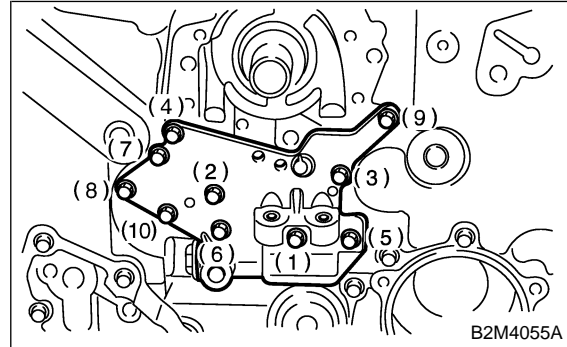


B: INSTALLATION S148744A11

- 1) Install oil pump relief valve case and gasket
- 2) Tighten the bolts in the numerical sequence shown in the figure.

Tightening torque:

6.4 N·m (0.65 kgf·m, 4.7 ft·lb)



Bolt installation position	Bolt dimension
(1) and (5)	6 x 26
(2), (3), (4) and (9)	6 x 35
(6), (7), (8) and (10)	6 x 16

- 3) Install timing chain assembly. <Ref. to ME(H6)-46, INSTALLATION, Timing Chain Assembly.>
- 4) Install front chain cover. <Ref. to ME(H6)-43, INSTALLATION, Front Chain Cover.>
- 5) Install V-belt. <Ref. to ME(H6)-31, INSTALLATION, V-belt.>
- 6) Install radiator. <Ref. to CO(H6)-24, INSTALLATION, Radiator.>
- 7) Fill coolant. <Ref. to CO(H6)-18, FILLING OF ENGINE COOLANT, REPLACEMENT, Engine Coolant.>

C: INSPECTION S148744A10

Check the oil pump relief valve case for worn shaft hole, clogged oil passage, cracks and other faults.