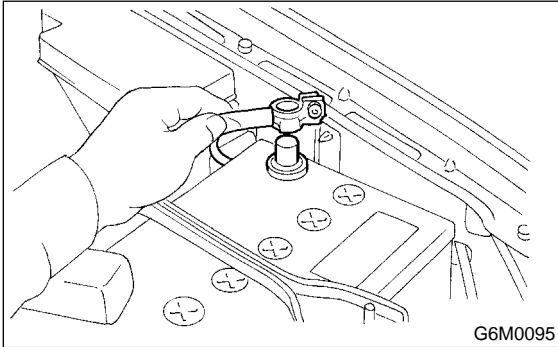


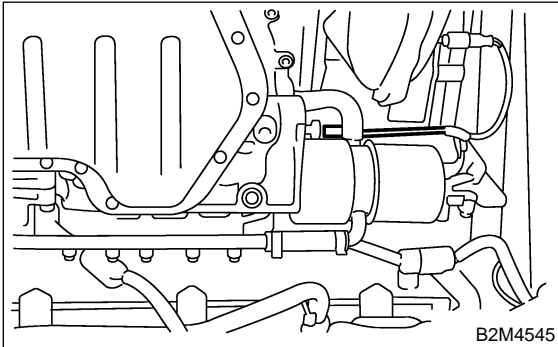
## 7. Oil Pressure Switch S148069

### A: REMOVAL S148069A18

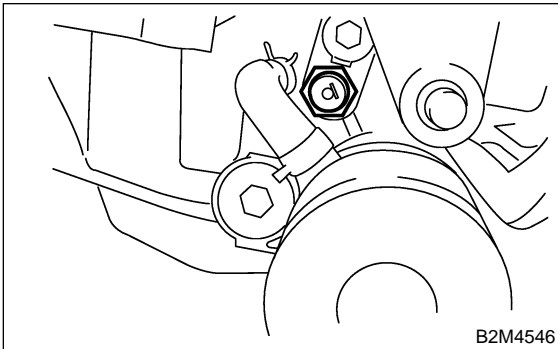
- 1) Set vehicle on the lift.
- 2) Disconnect battery ground cable.



- 3) Lift-up the vehicle.
- 4) Remove under cover.
- 5) Disconnect terminal from oil pressure switch.



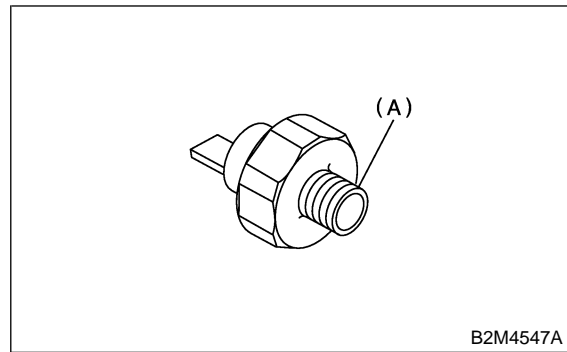
- 6) Remove oil pressure switch.



### B: INSTALLATION S148069A11

- 1) Apply fluid packing to oil pressure switch threads.

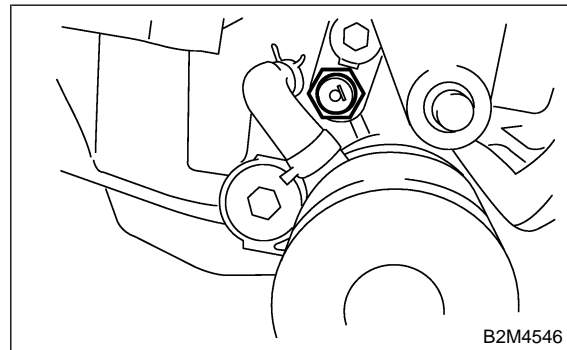
**Fluid packing:**  
**THREE BOND 1324 or equivalent**



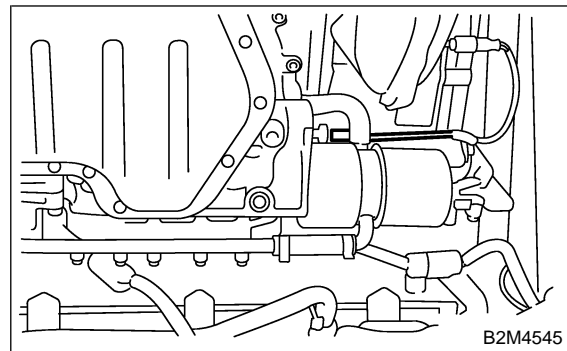
(A) Fluid packing

- 2) Install oil pressure switch.

**Tightening torque:**  
**25 N·m (2.5 kgf·m, 18.1 ft·lb)**



- 3) Connect terminal of oil pressure switch.



- 4) Install under cover.

### C: INSPECTION S148069A10

Make sure oil does not leak or seep from where the oil pressure switch is installed.