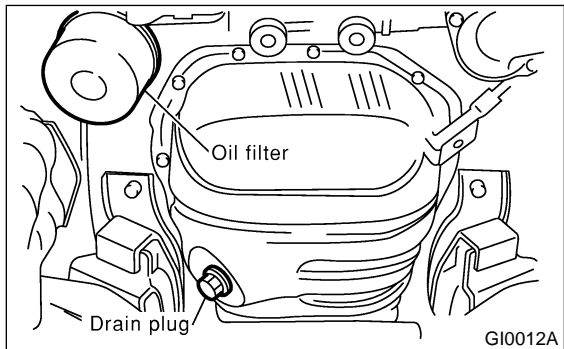


4. Engine Oil Filter SA07585

A: REPLACEMENT SA07585A20

1. 2.5 L MODEL SA07585A2001

- 1) Remove oil filter with ST.
ST 498547000 OIL FILTER WRENCH



- 2) Get a new oil filter and apply a thin coat of engine oil to the seal rubber.
- 3) Install oil filter by turning it by hand, being careful not to damage seal rubber.
- 4) Tighten more (approximately 2/3 to 3/4 turn) after the seal rubber contacts the oil pump case. Do not tighten excessively, or oil may leak.
- 5) After installing oil filter, run engine and make sure that no oil is leaking around seal rubber.

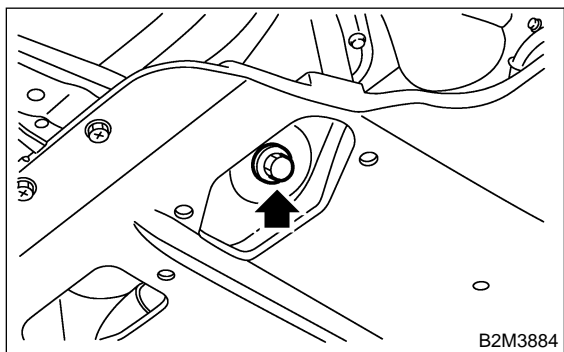
NOTE:

The filter element and filter case are permanently joined; therefore, interior cleaning is not necessary.

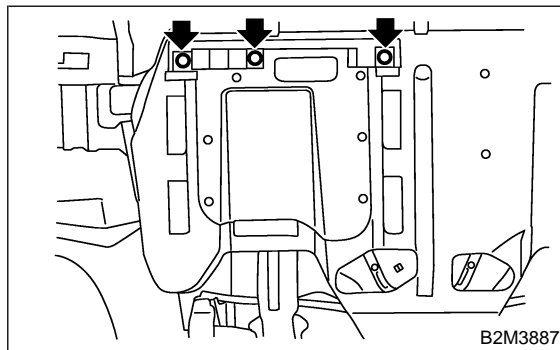
- 6) Check the engine oil level. <Ref. to PI-7 ENGINE OIL, PDI PROCEDURE, Pre-delivery Inspection.>

2. 3.0 L MODEL SA07585A2002

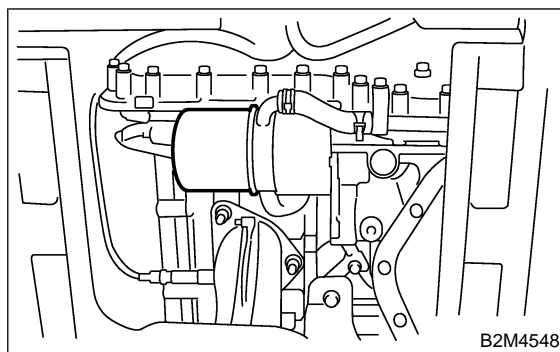
- 1) Drain engine oil by loosening engine oil drain plug.



- 2) Remove access lid.



- 3) Remove oil filter with ST.
ST 498547000 OIL FILTER WRENCH



- 4) Get a new oil filter and apply a thin coat of engine oil to the rubber seal.
- 5) Install oil filter by turning it by hand, being careful not to damage rubber seal.
- 6) Tighten more (approximately 2/3 to 3/4 turn) after the rubber seal contacts the oil pump case. Do not tighten excessively, or oil may leak.
- 7) After installing oil filter, run engine and make sure that no oil is leaking around rubber seal.

NOTE:

The filter element and filter case are permanently joined; therefore, interior cleaning is not necessary.

- 8) Check the engine oil level. <Ref. to LU(H6)-10, INSPECTION, Engine Oil.>