

16. ATF SA07692

A: REPLACEMENT SA07692A20

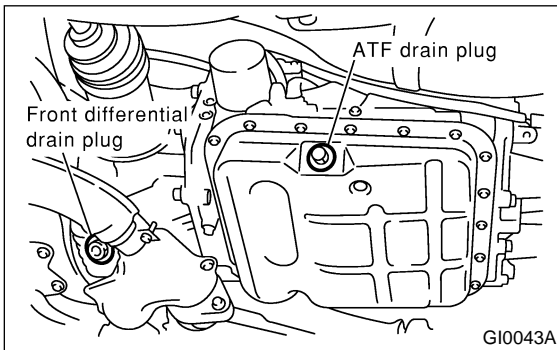
1. AUTOMATIC TRANSMISSION FLUID SA07692A2001

SA07692A2001

1) Drain ATF (Automatic Transmission Fluid) by removing drain plug after allowing the engine to cool for 3 to 4 hours.

NOTE:

Before starting work, cool off the engine well.



2) Reinstall drain plug after draining ATF, and tighten it to the specified torque.

Tightening torque:

24.5 N·m (2.5 kgf-m, 18.1 ft-lb)

3) Fill ATF up to the middle of the “COLD” side on level gauge by using the gauge hole.

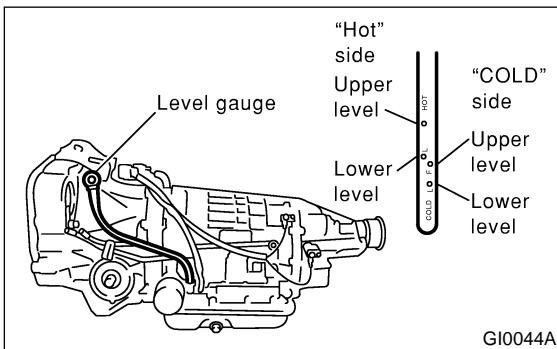
Recommended fluid:

Dexron IIE or III type automatic transmission fluid

Fluid capacity:

$9.3^{+0.3}/_{-0}$ l ($9.8^{+0.3}/_{-0}$ US qt, $8.2^{+0.3}/_{-0}$ Imp qt)

4) Run the vehicle until the ATF temperature rises to 60 to 80°C (140 to 176°F) and check the ATF level.



2. ATF FILTER SA07692A2002

NOTE:

ATF filter is maintenance free part. ATF filter needs replacement, when it has physically damaged or ATF leaked.

For the replacement procedures of the ATF filter:
<Ref. to AT-38 ATF Filter.>