

## 9. A/T Control System S903485

### A: SCHEMATIC S903485A21

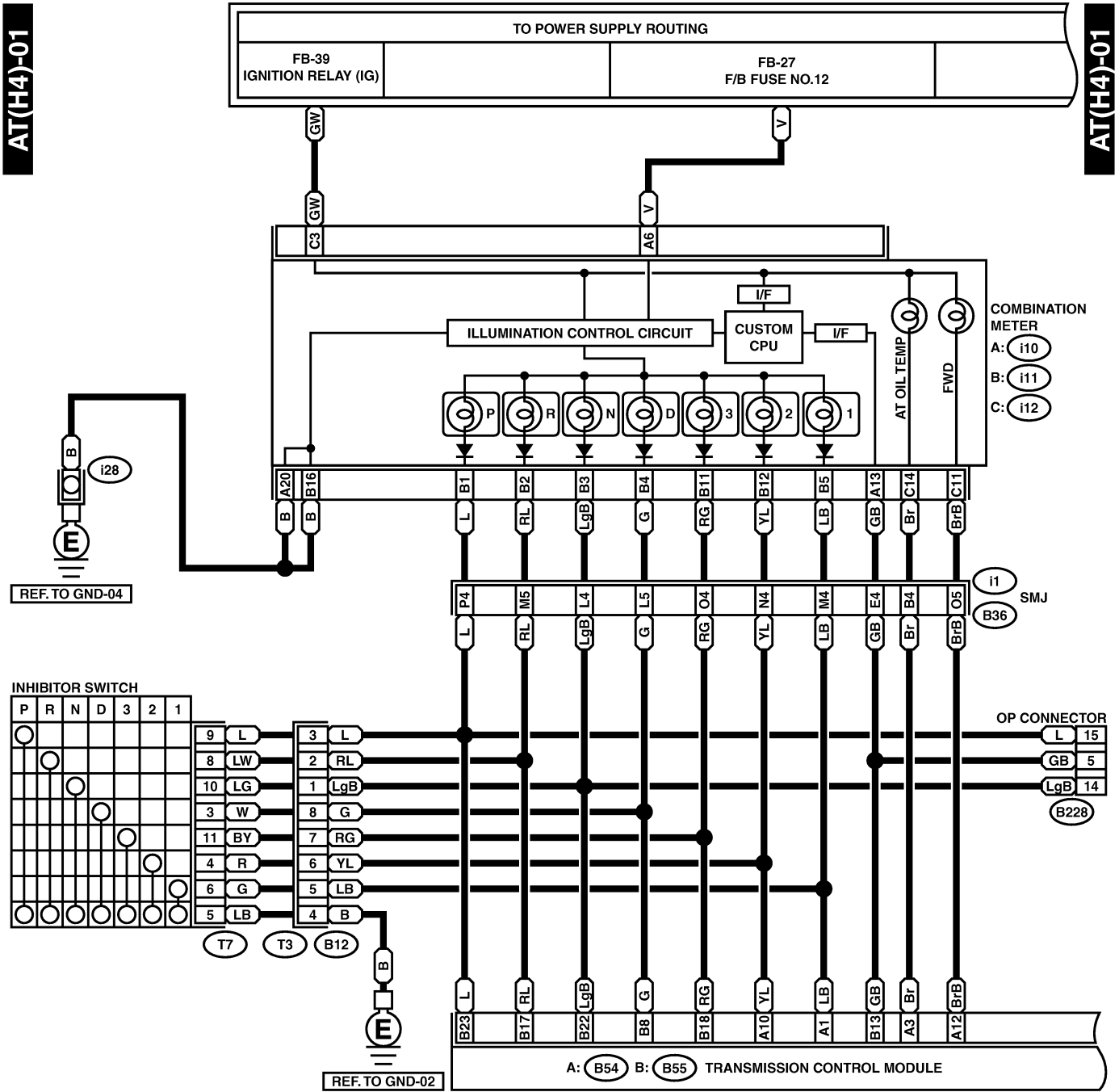
# A/T CONTROL SYSTEM

Wiring System

## 1. 4-CYLINDER ENGINE MODEL S903485A2103

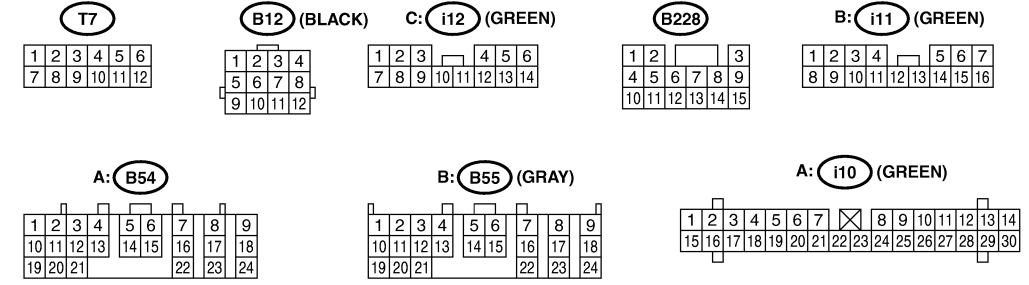
AT(H4)-01

AT(H4)-01



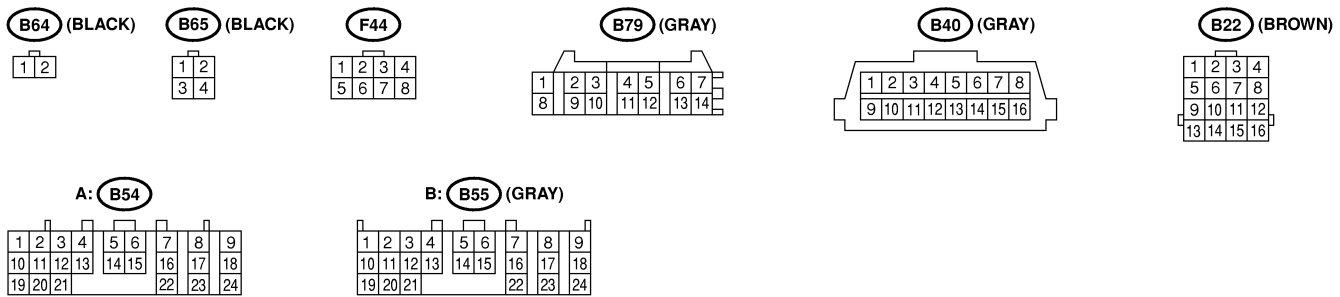
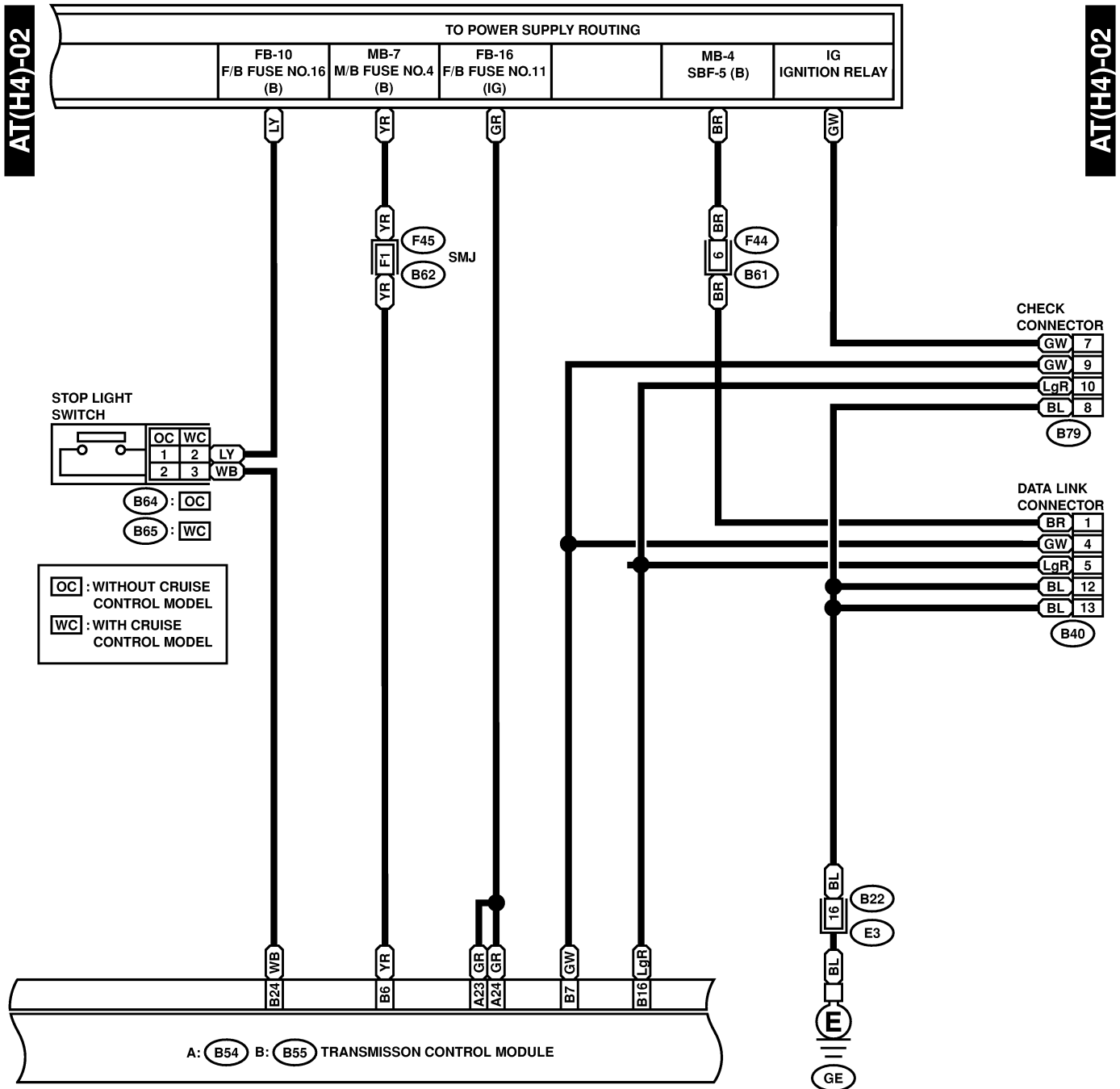
**INHIBITOR SWITCH**

P	R	N	D	3	2	1
○	○	○	○	○	○	○
○	○	○	○	○	○	○
○	○	○	○	○	○	○
○	○	○	○	○	○	○
○	○	○	○	○	○	○



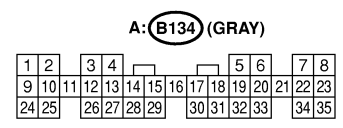
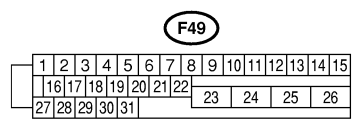
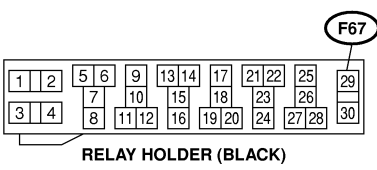
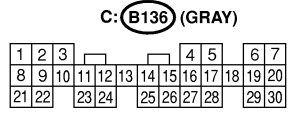
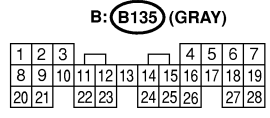
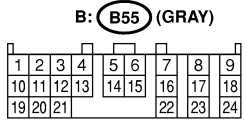
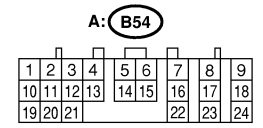
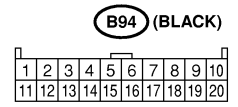
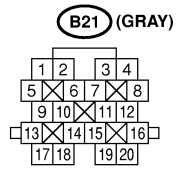
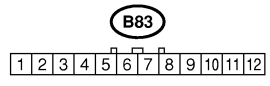
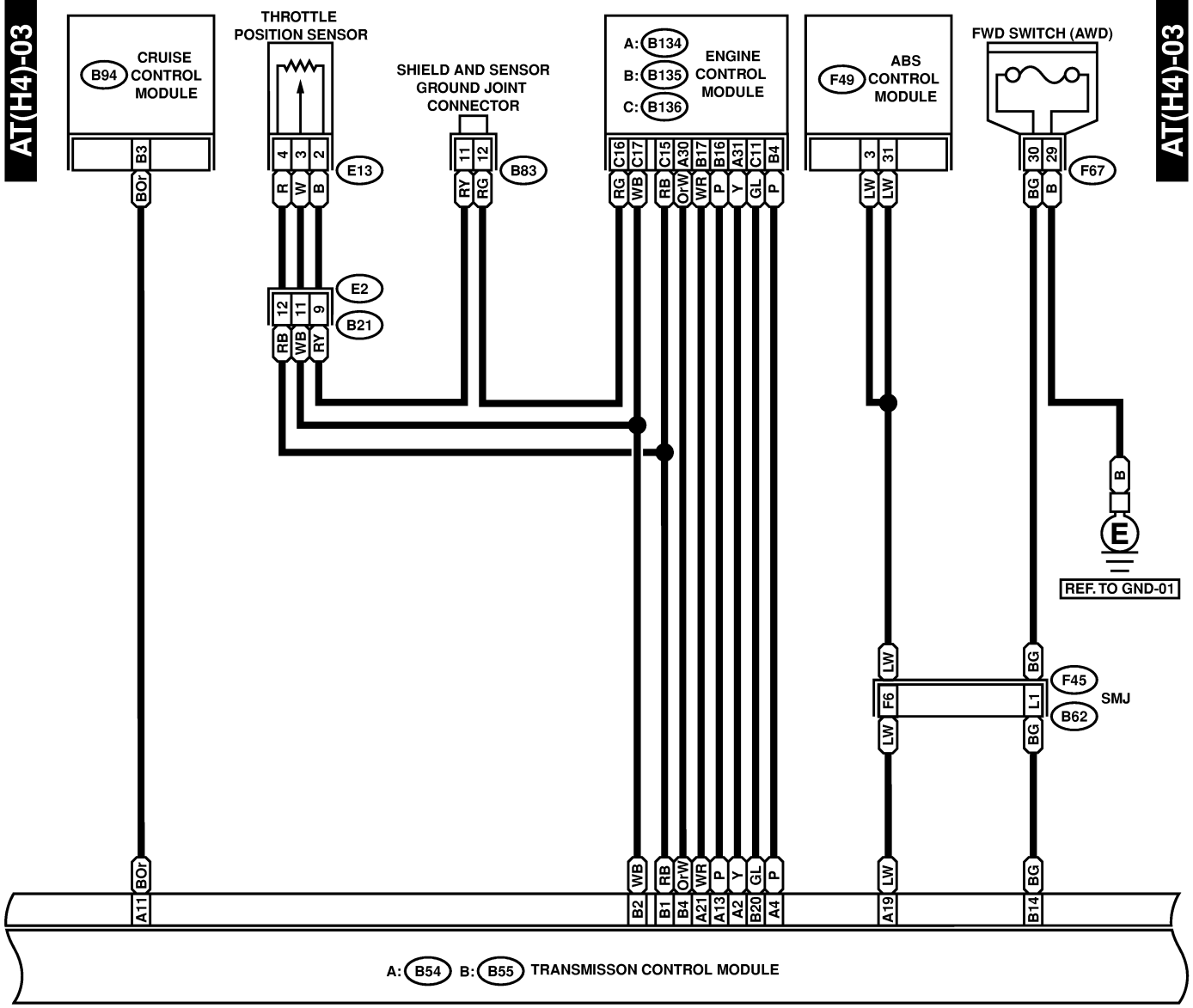
# A/T CONTROL SYSTEM

Wiring System



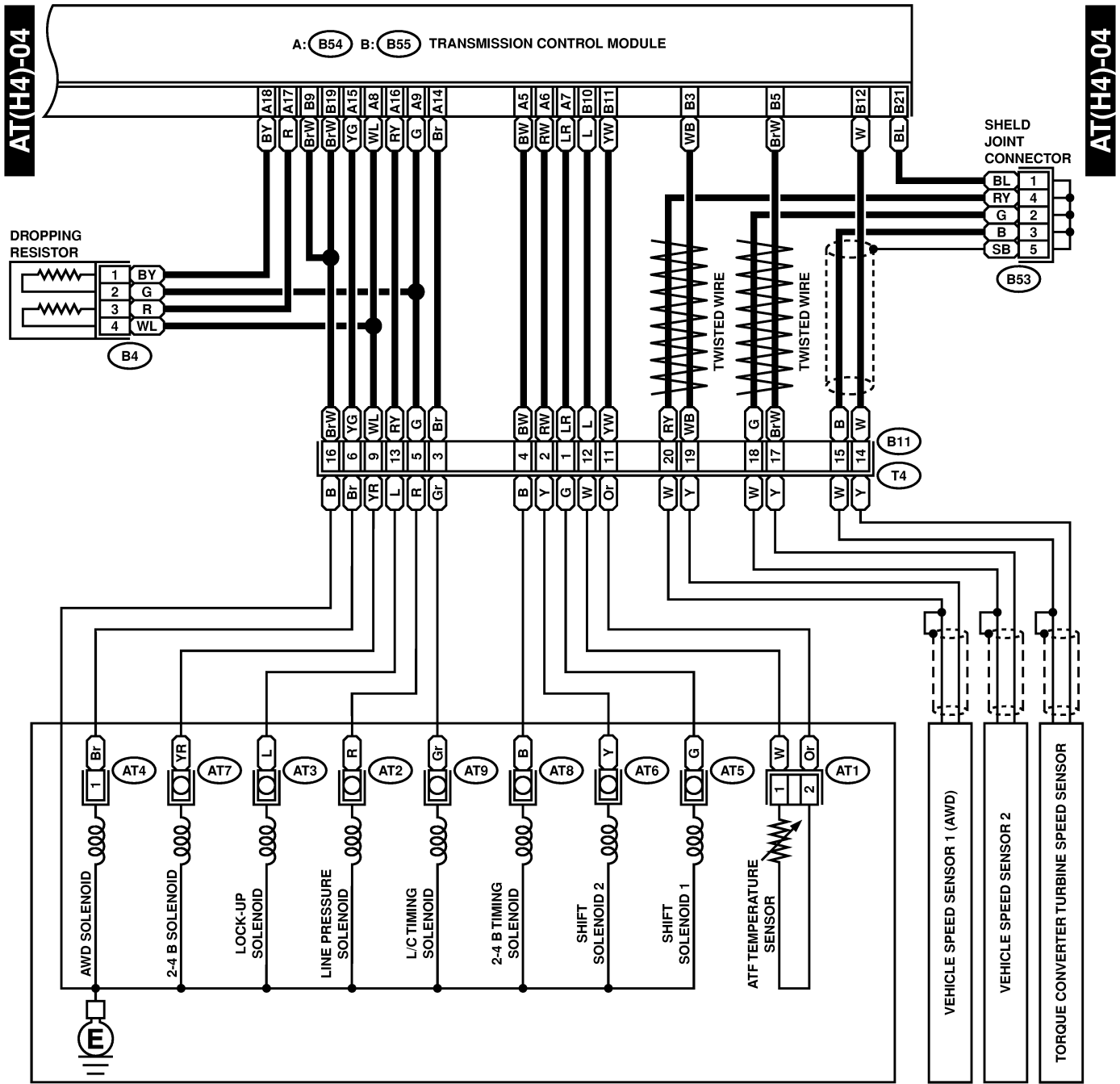
# A/T CONTROL SYSTEM

Wiring System



# A/T CONTROL SYSTEM

Wiring System



AT4 (BROWN)



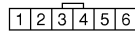
AT1 (GRAY)



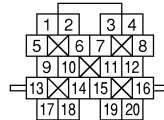
B4 (GRAY)



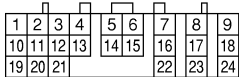
B53 (GRAY)



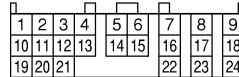
B11 (BLACK)



A: B54



B: B55 (GRAY)



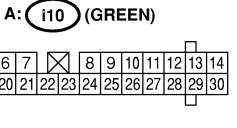
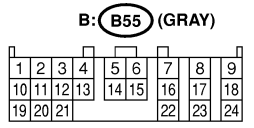
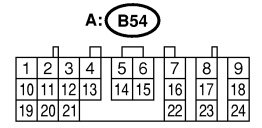
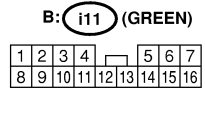
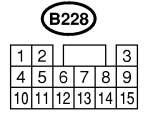
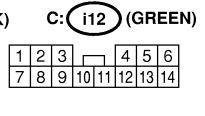
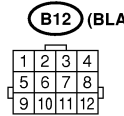
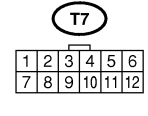
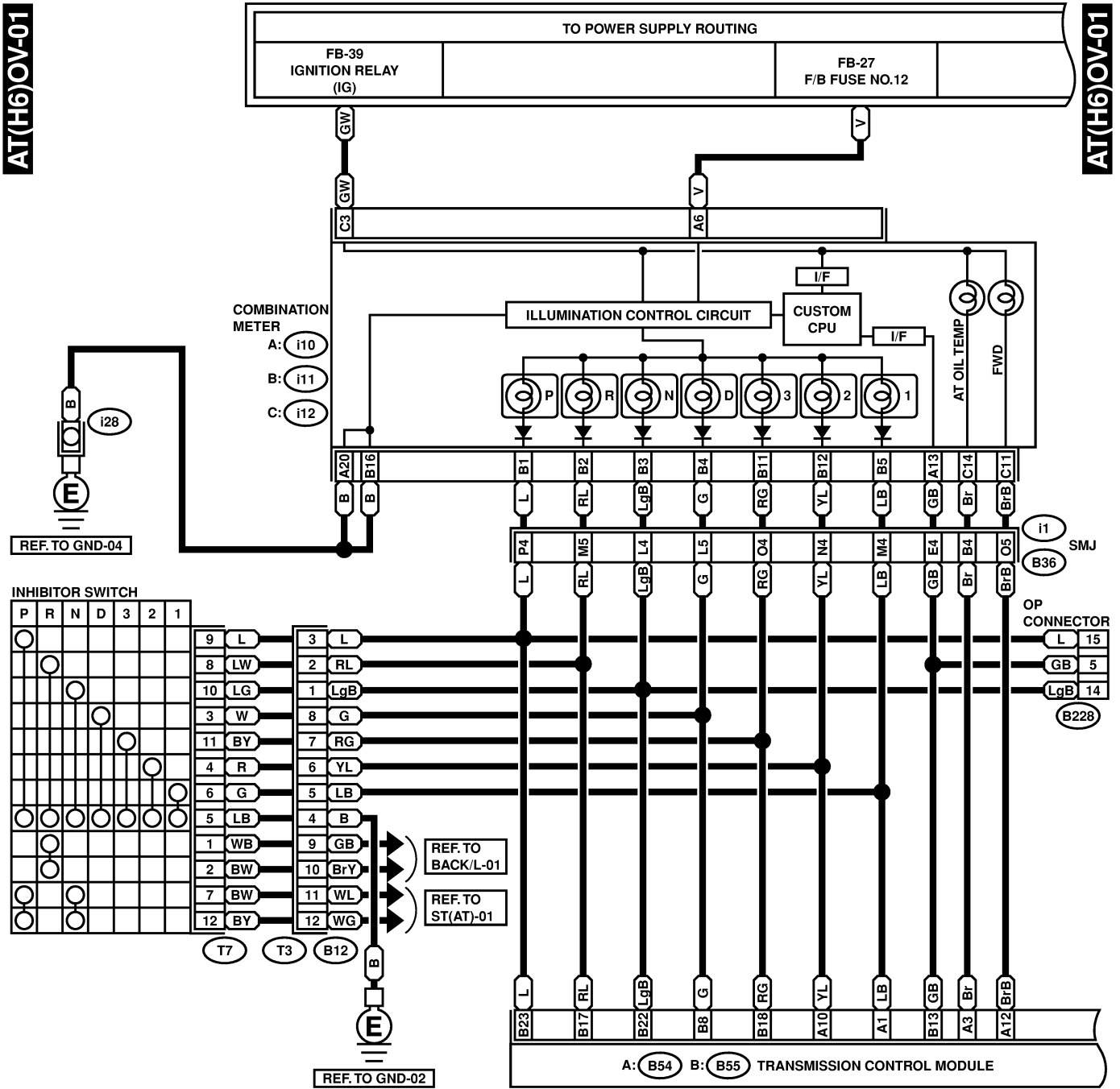
# A/T CONTROL SYSTEM

Wiring System

## 2. 6-CYLINDER ENGINE WITHOUT VDC MODEL S903485A2104

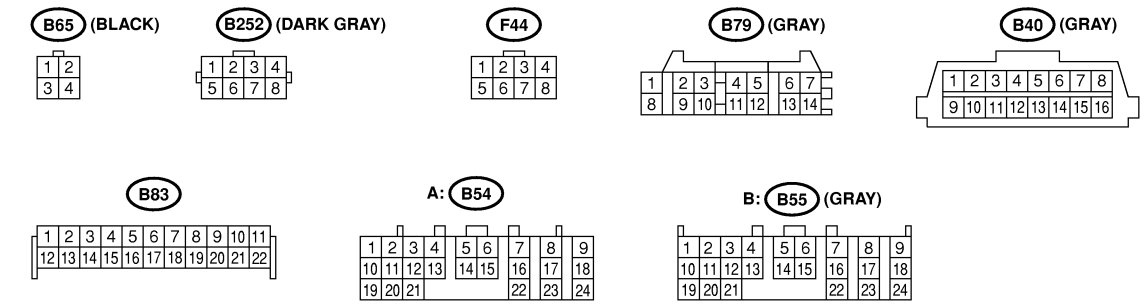
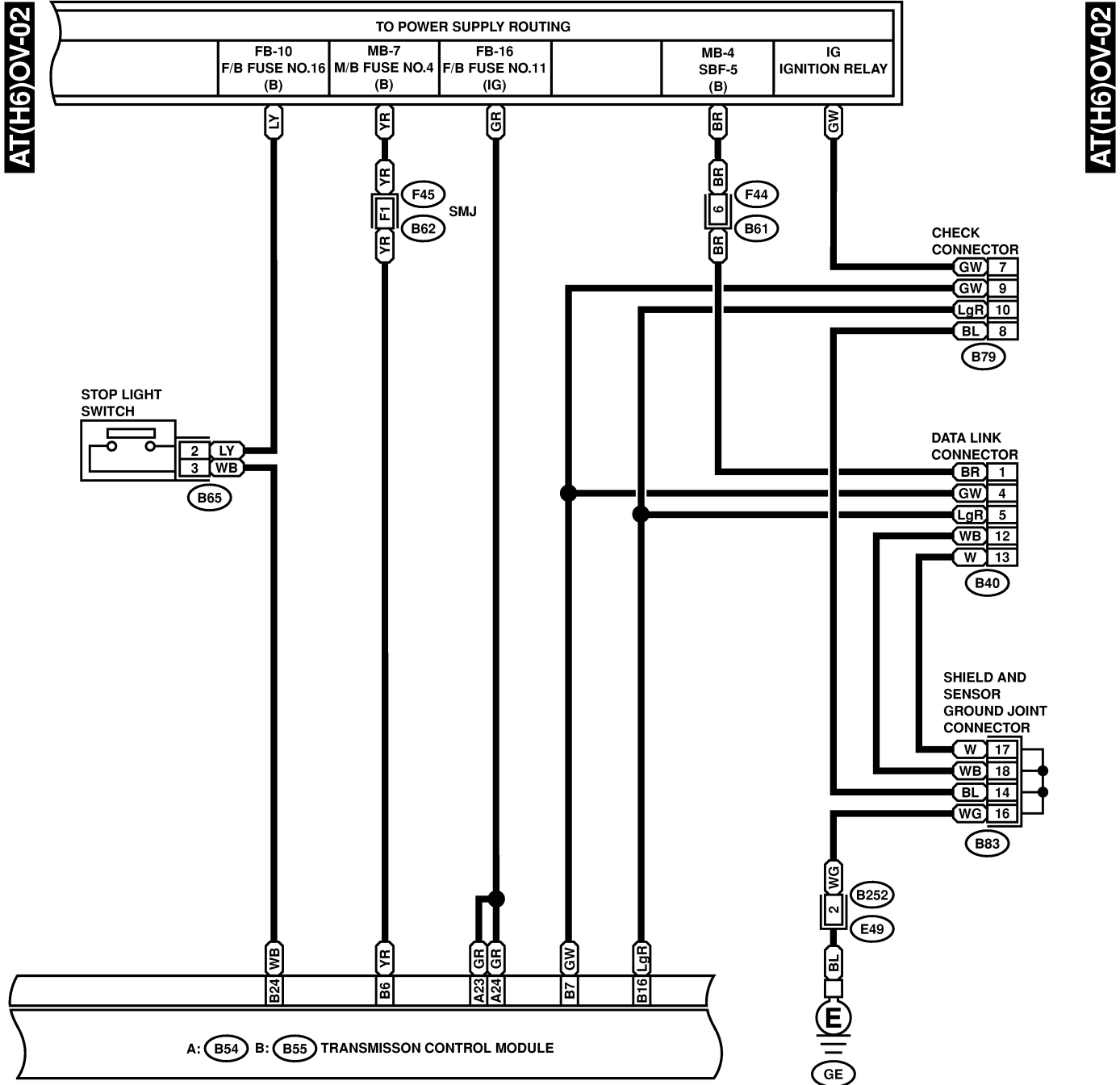
AT(H6)OV-01

AT(H6)OV-01



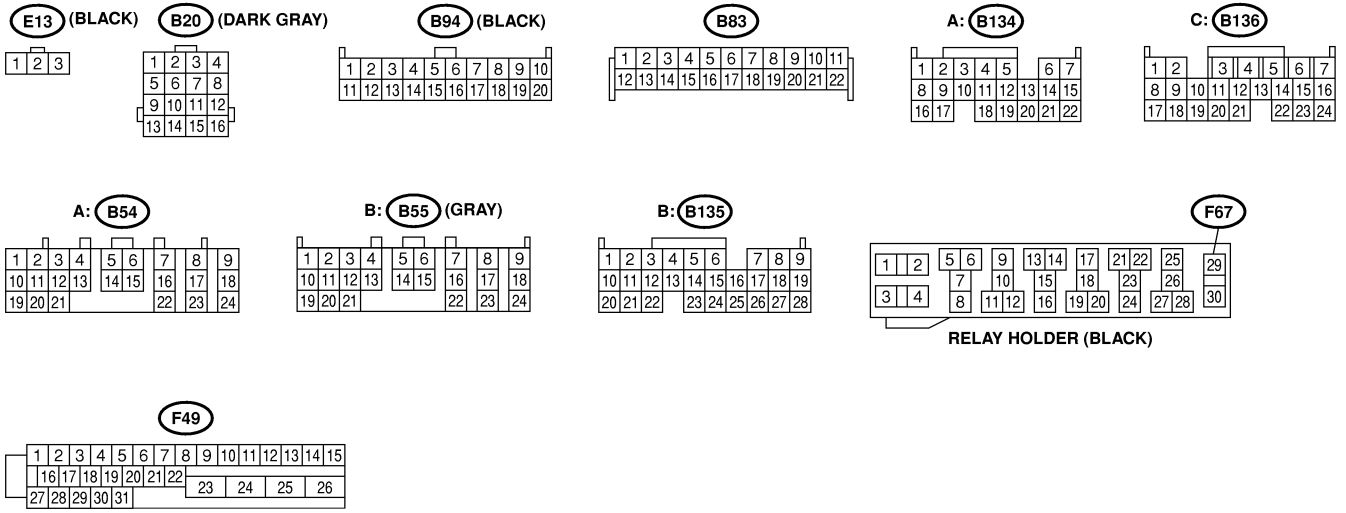
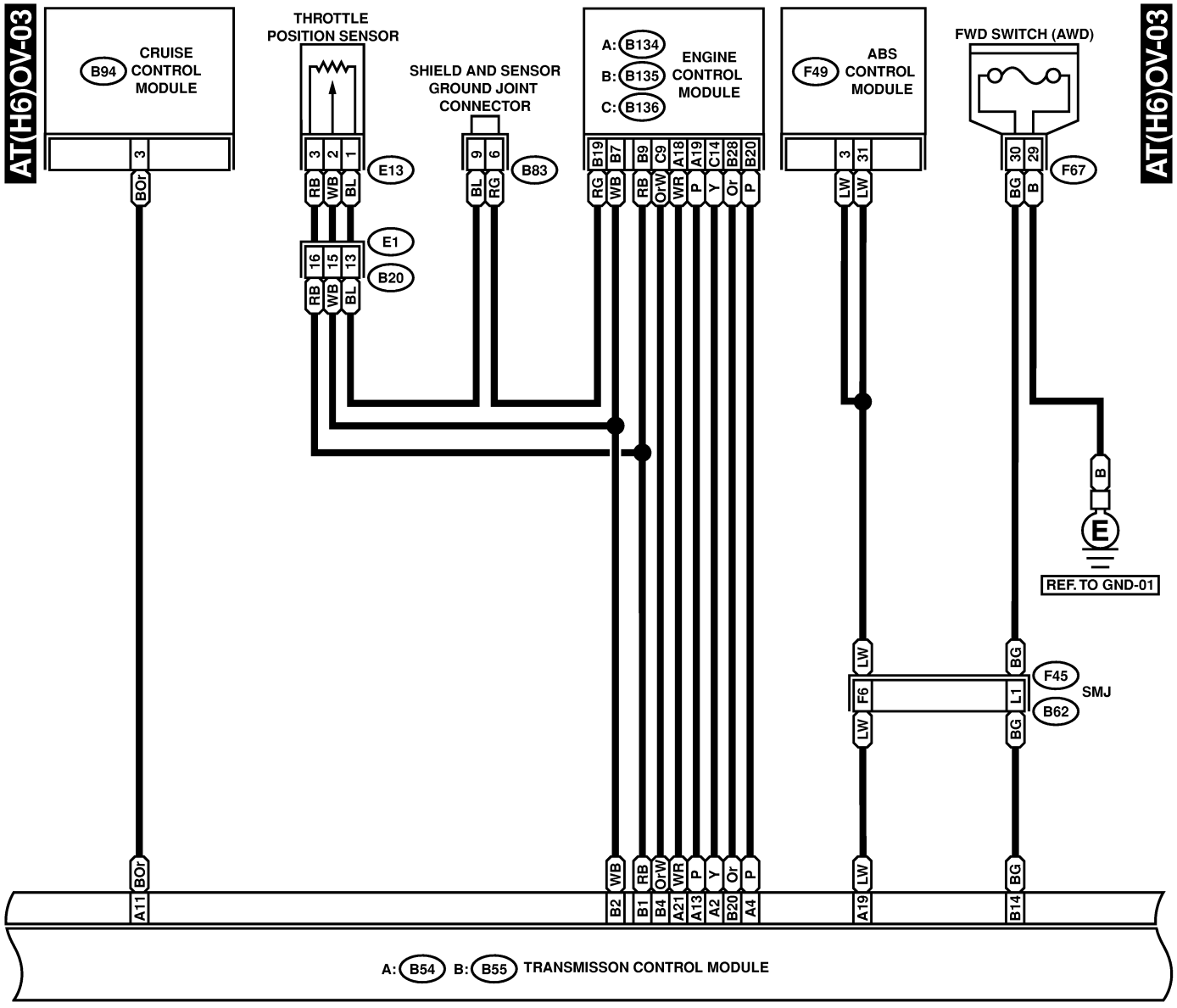
# A/T CONTROL SYSTEM

Wiring System



# A/T CONTROL SYSTEM

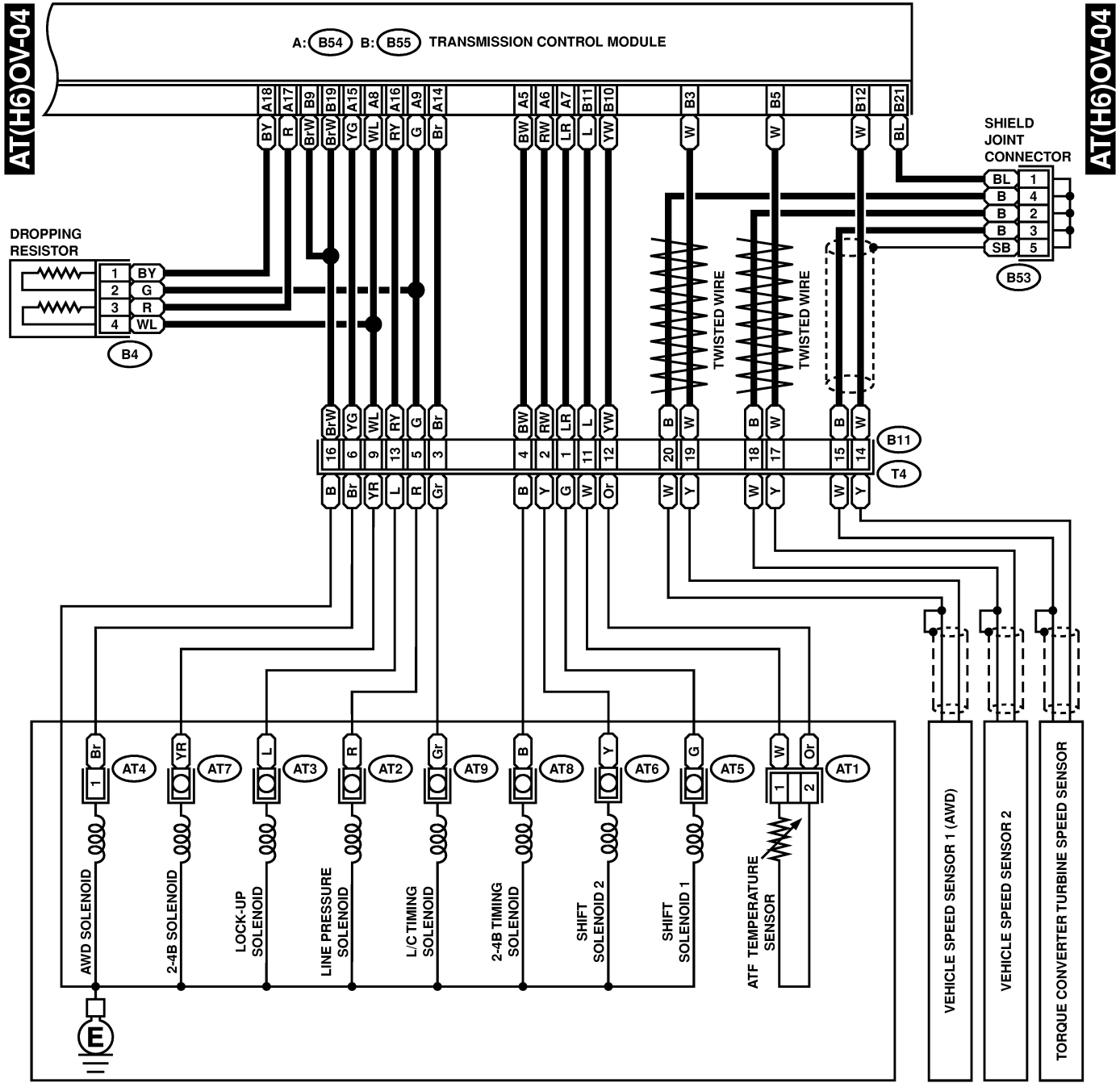
Wiring System





# A/T CONTROL SYSTEM

Wiring System



AT4 (BROWN)



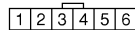
AT1 (GRAY)



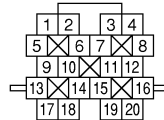
B4 (GRAY)



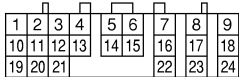
B53 (GRAY)



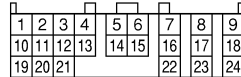
B11 (BLACK)



A: B54



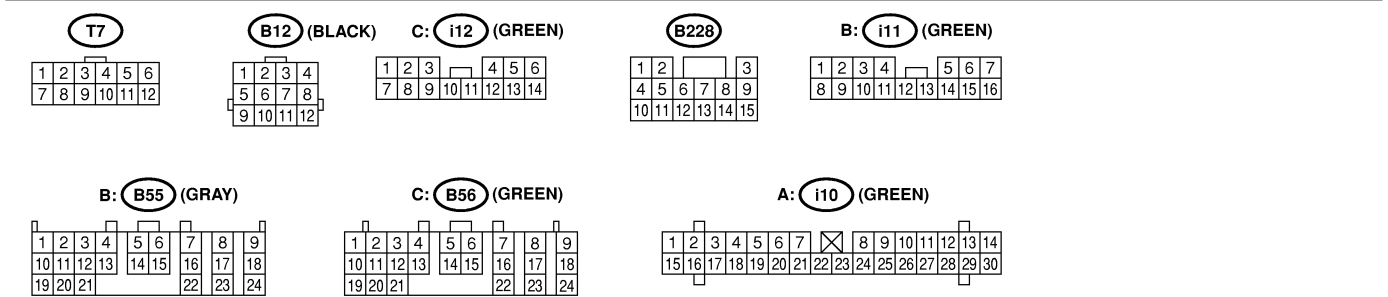
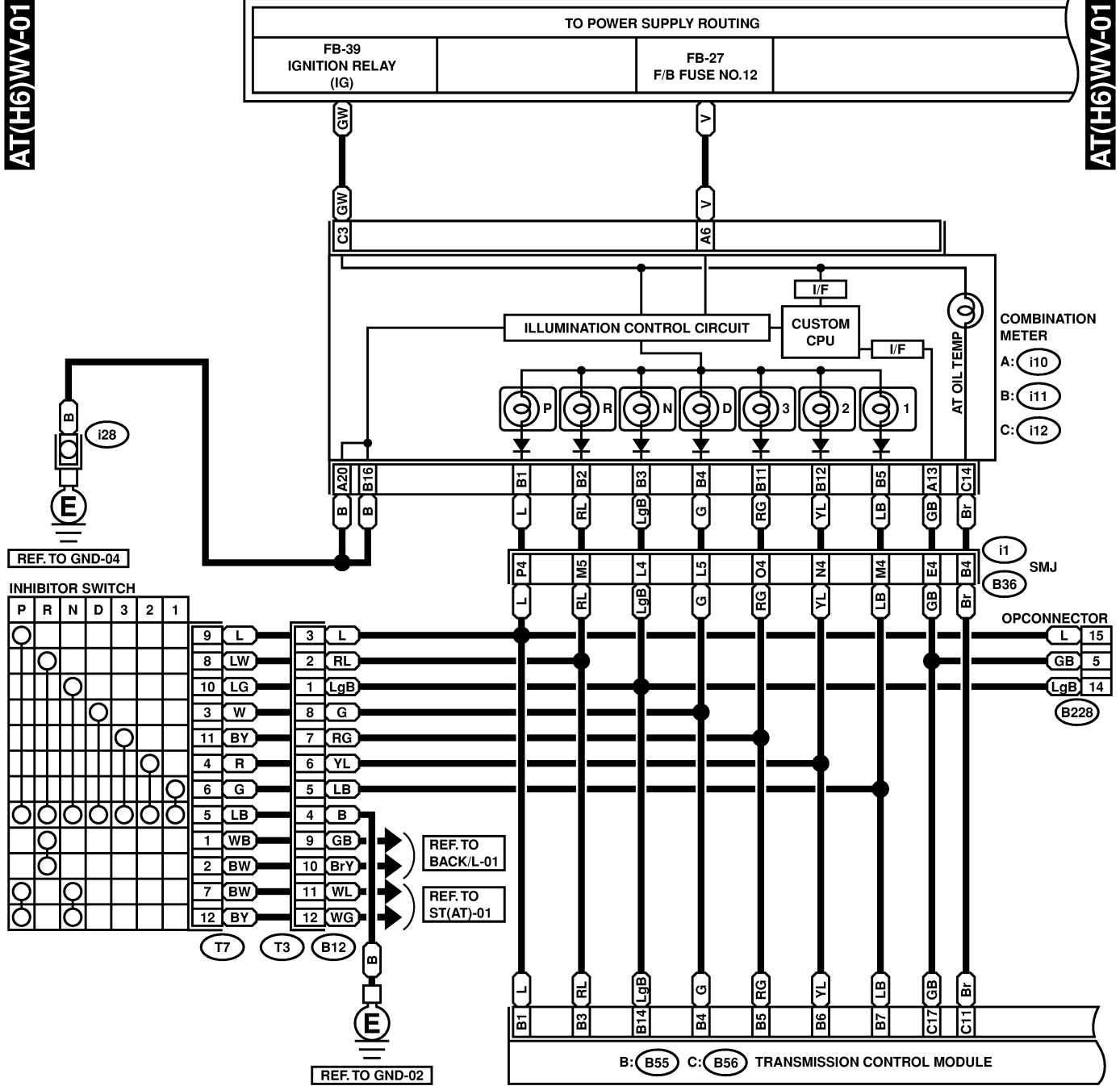
B: B55 (GRAY)



# A/T CONTROL SYSTEM

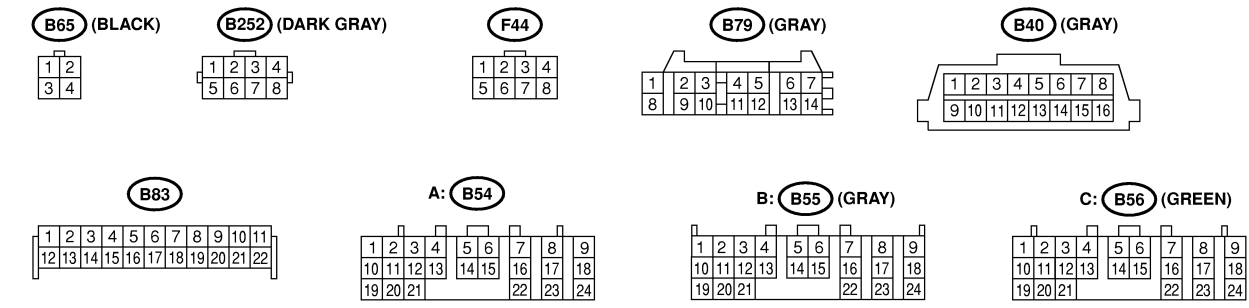
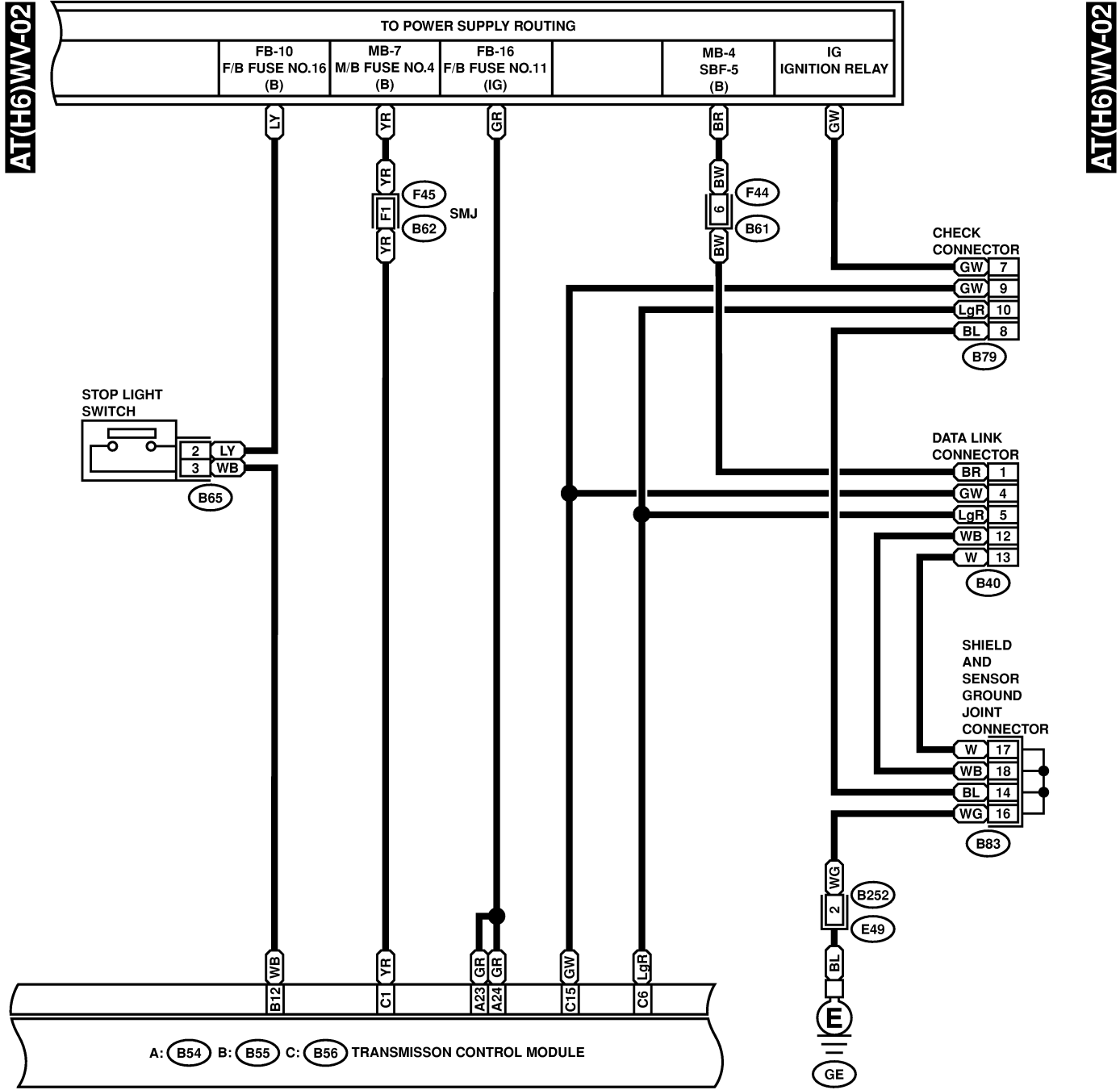
Wiring System

## 3. 6-CYLINDER ENGINE WITH VDC MODEL S903485A2105



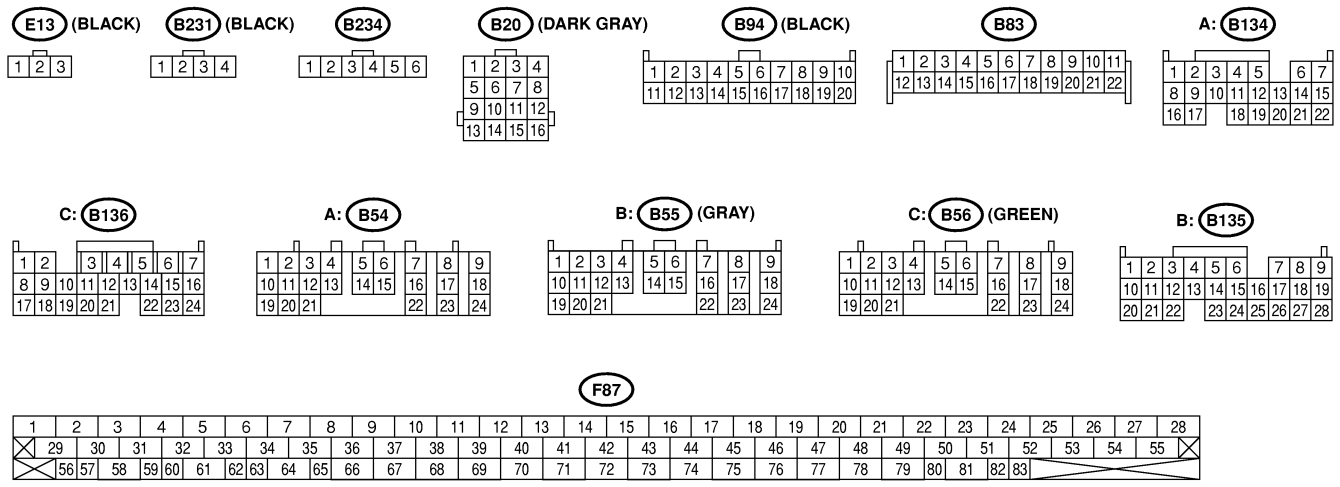
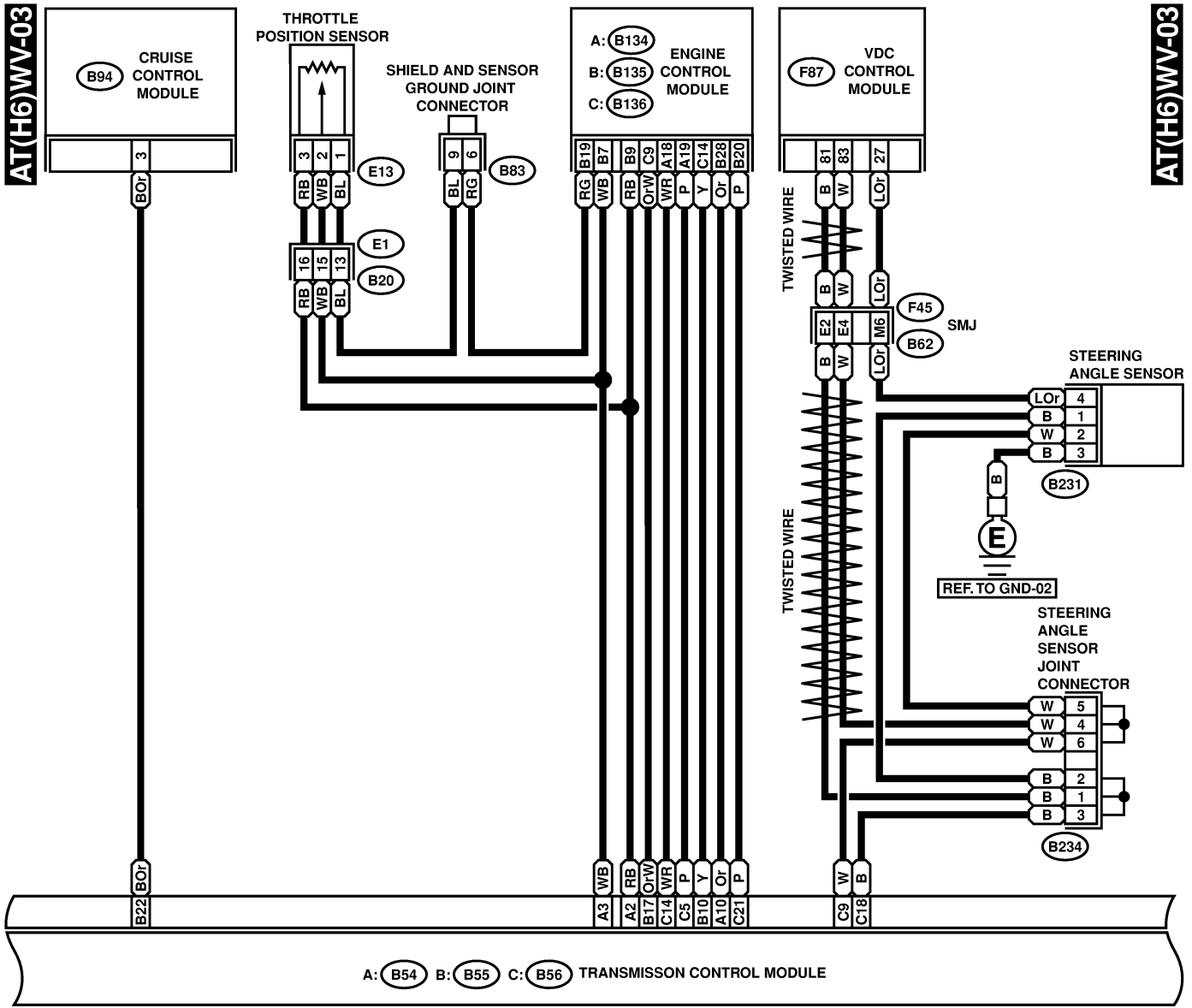
# A/T CONTROL SYSTEM

Wiring System



# A/T CONTROL SYSTEM

Wiring System



# A/T CONTROL SYSTEM

Wiring System

