

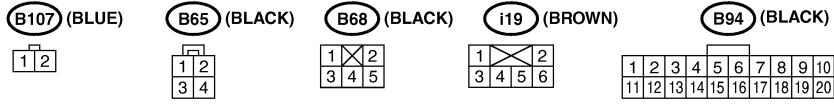
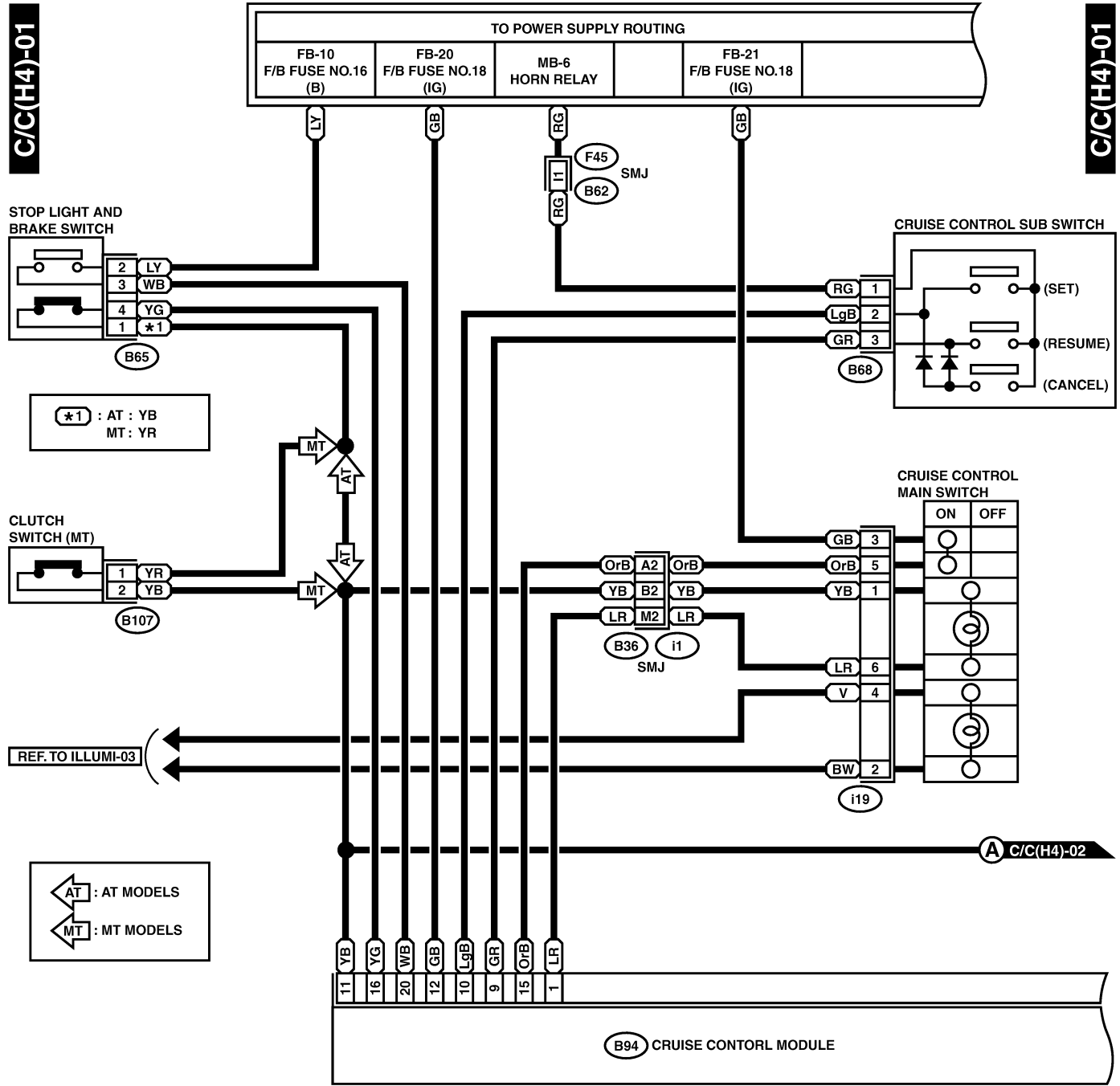
**14. Cruise Control System** S903495

**A: SCHEMATIC** S903495A21

# CRUISE CONTROL SYSTEM

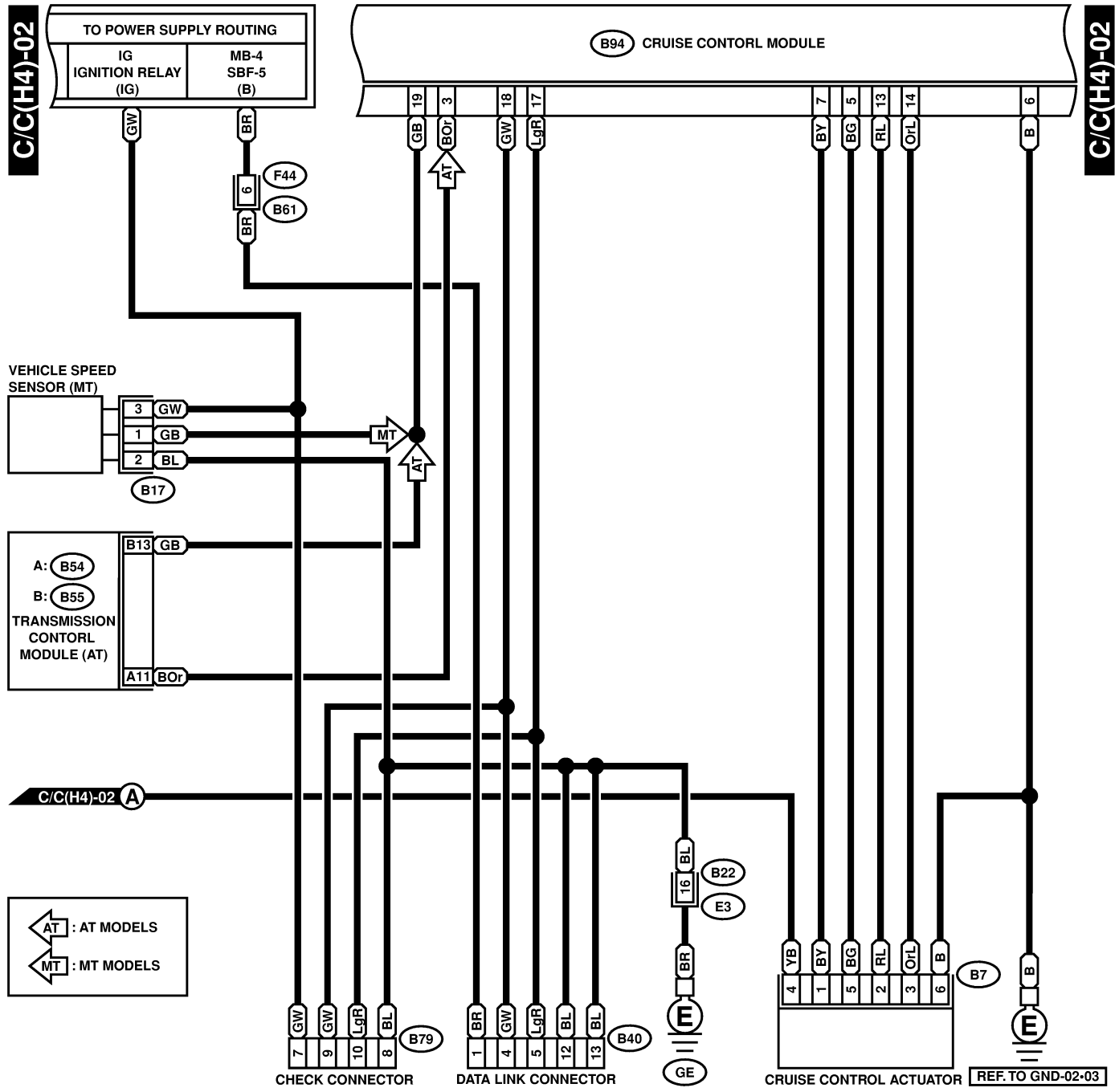
Wiring System

## 1. 4-CYLINDER ENGINE MODEL S903495A2103



# CRUISE CONTROL SYSTEM

Wiring System



**B17** (BLACK)



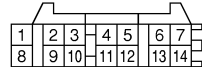
**B7** (BLACK)



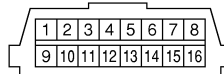
**F44**



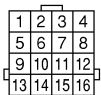
**B79** (GRAY)



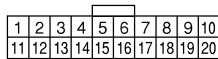
**B40** (GRAY)



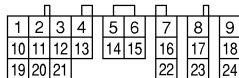
**B22** (BROWN)



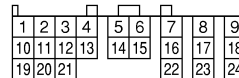
**B94** (BLACK)



A: **B54**

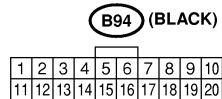
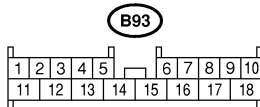
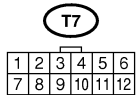
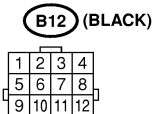
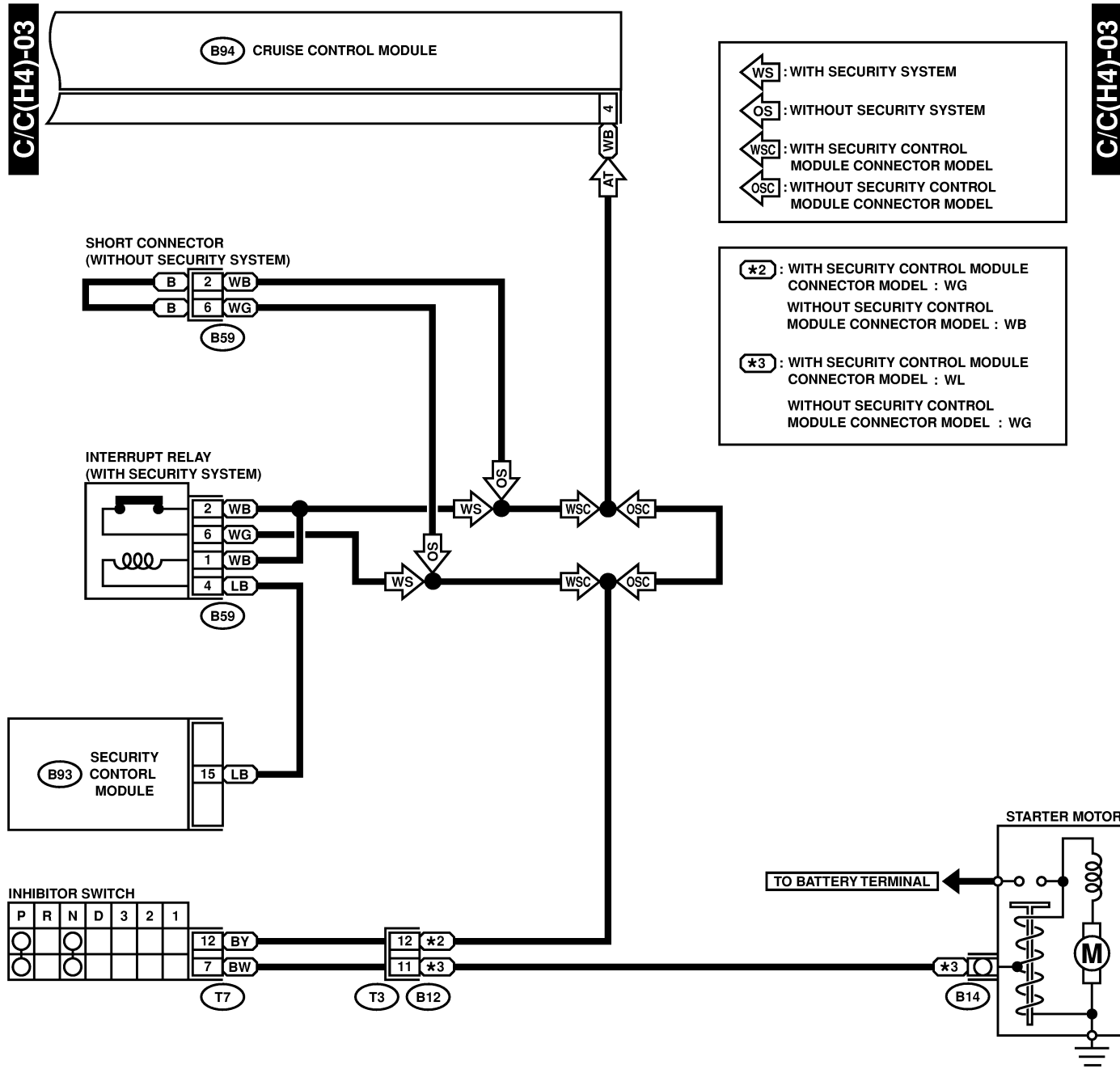


B: **B55** (GRAY)



# CRUISE CONTROL SYSTEM

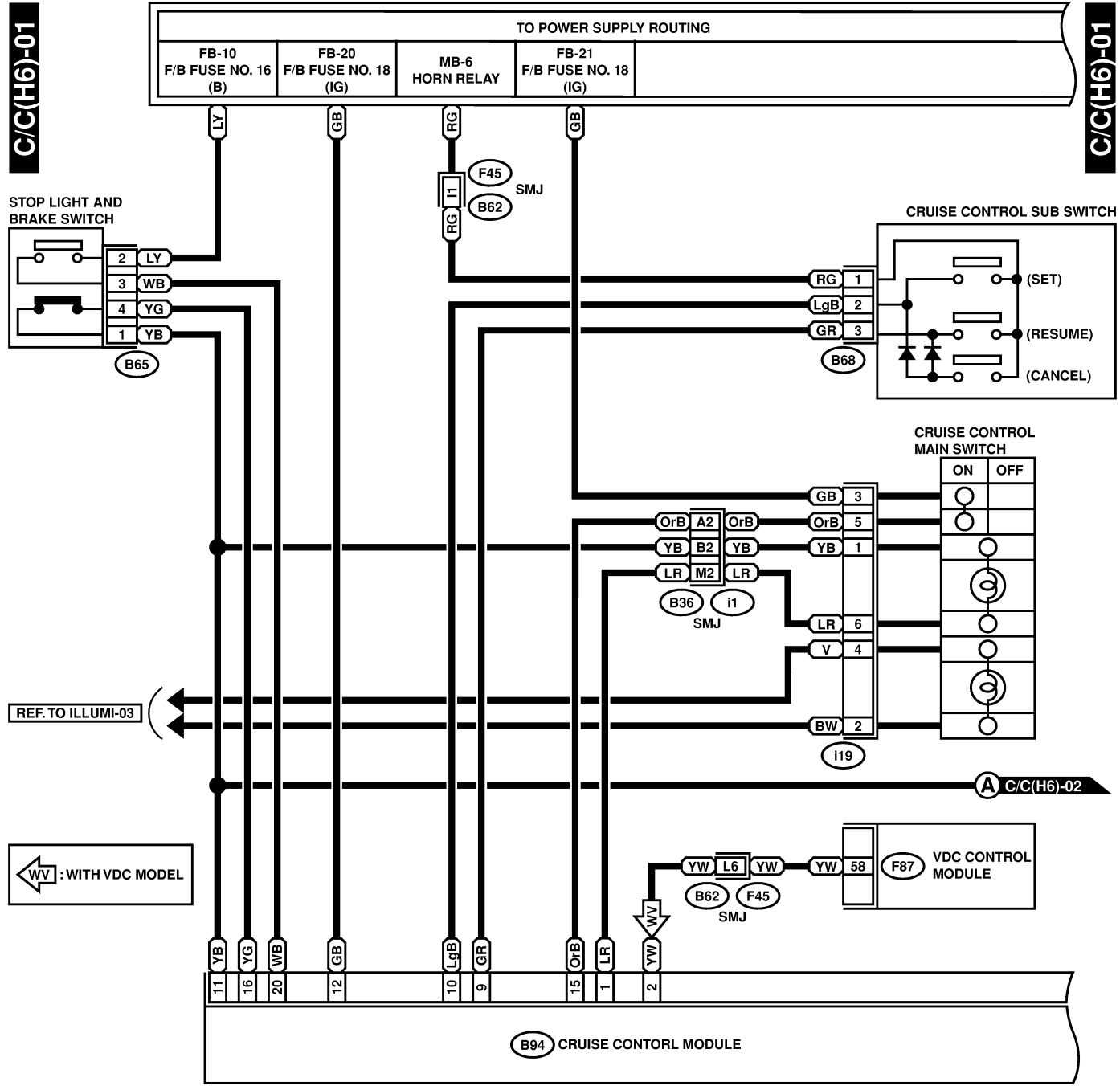
Wiring System



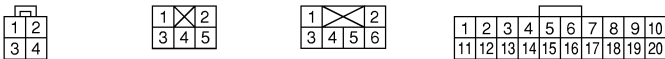
# CRUISE CONTROL SYSTEM

Wiring System

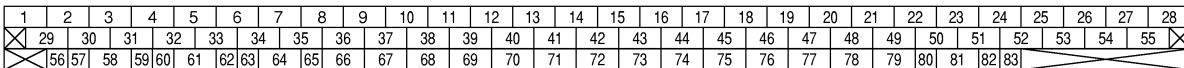
## 2. 6-CYLINDER ENGINE MODEL S903495A2104



**B65 (BLACK)**    **B68 (BLACK)**    **i19 (BROWN)**    **B94 (BLACK)**

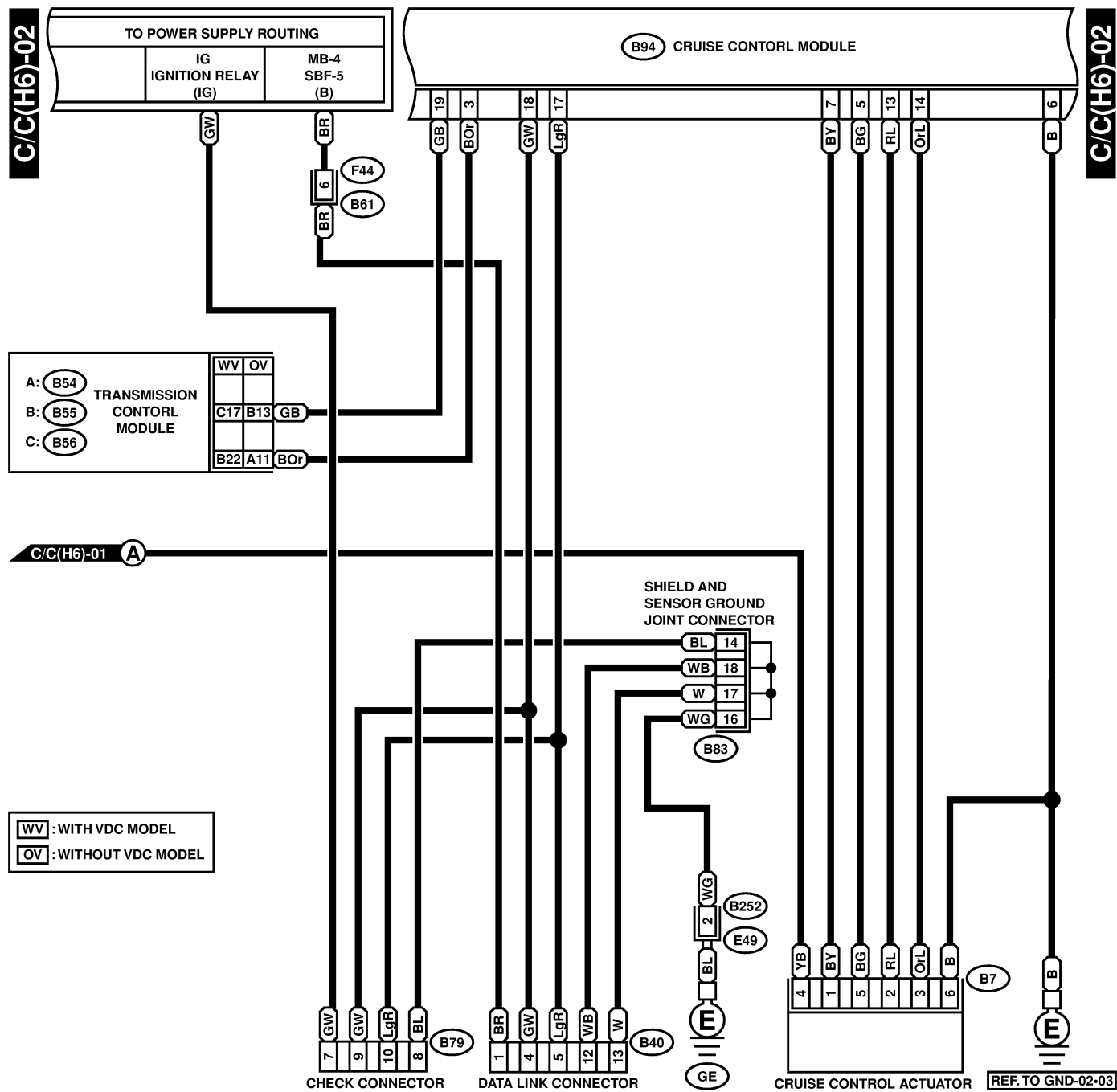


**F87 (BLACK)**



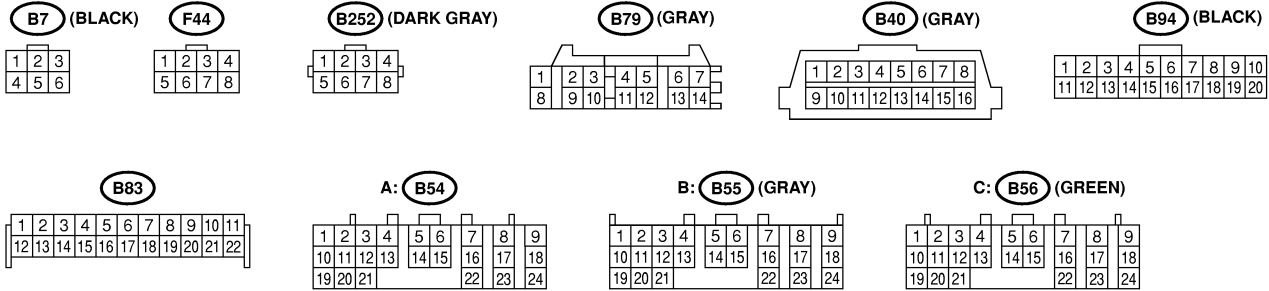
# CRUISE CONTROL SYSTEM

Wiring System



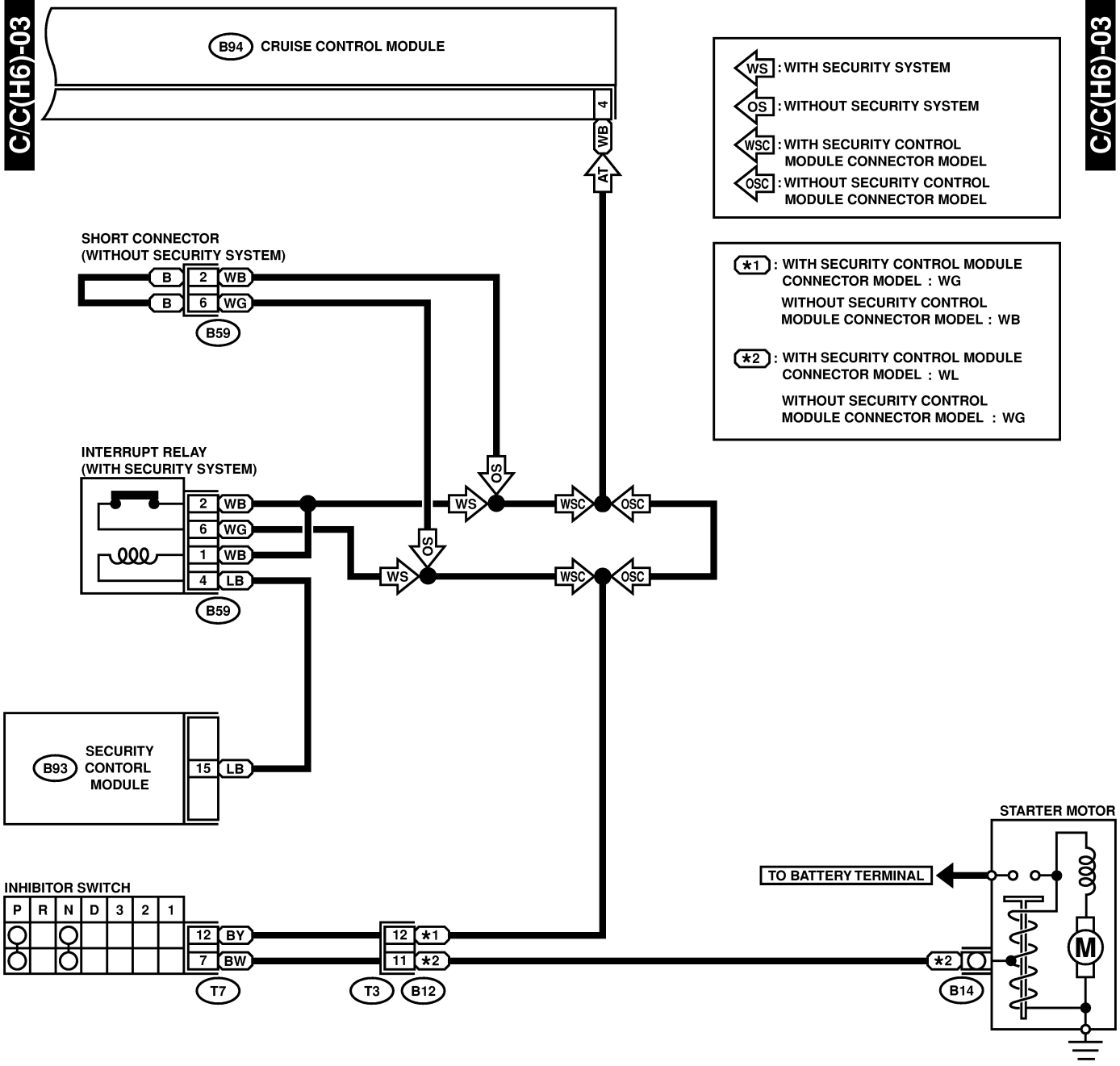
WV : WITH VDC MODEL  
OV : WITHOUT VDC MODEL

REF. TO GND-02-03



# CRUISE CONTROL SYSTEM

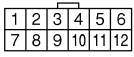
Wiring System



**B59**



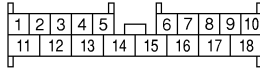
**T7**



**B12 (BLACK)**



**B93**



**B94 (BLACK)**

