

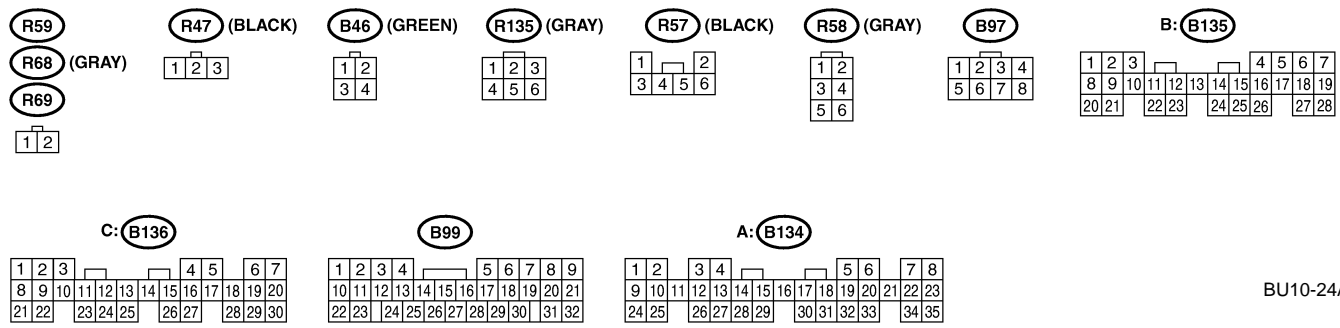
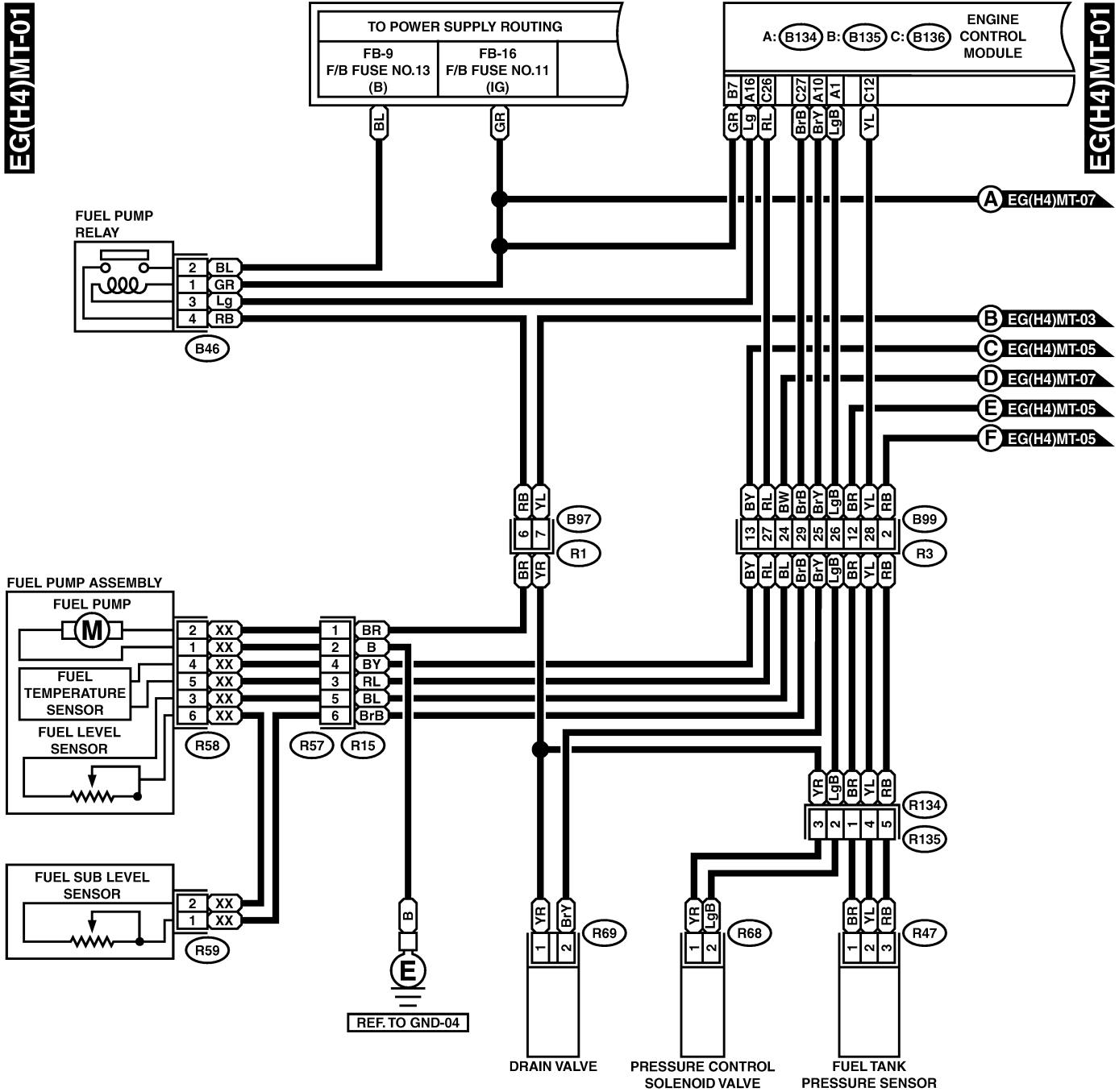
ENGINE ELECTRICAL SYSTEM

Wiring System

17. Engine Electrical System S903482

A: SCHEMATIC S903482A21

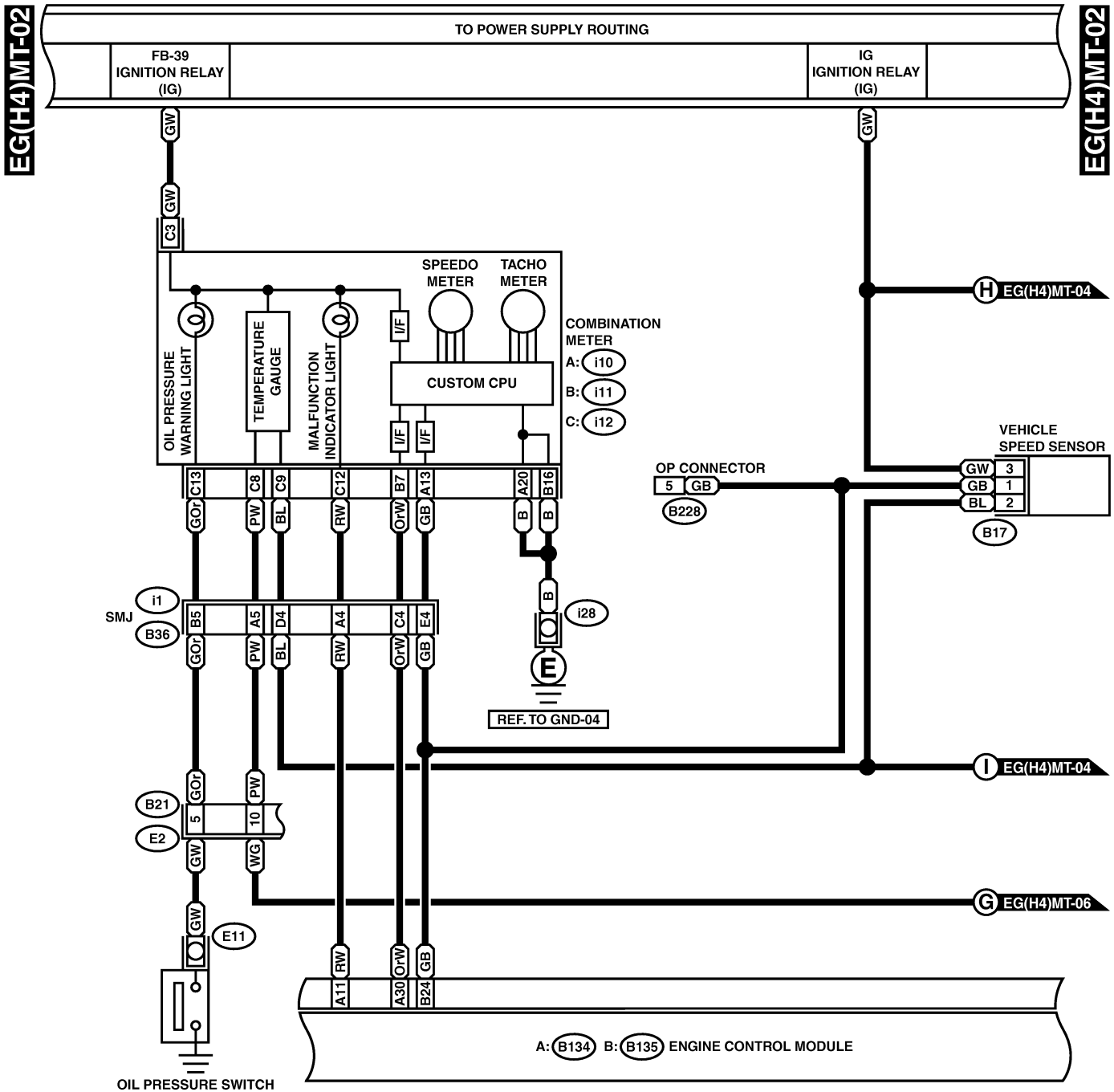
1. 4-CYLINDER ENGINE MT MODEL S903482A2103



BU10-24A

ENGINE ELECTRICAL SYSTEM

Wiring System



B17 (BLACK)

1	2	3
---	---	---

C: i12 (GREEN)

1	2	3	4	5	6		
7	8	9	10	11	12	13	14

B228

1	2	3			
4	5	6	7	8	9
10	11	12	13	14	15

B: i11 (GREEN)

1	2	3	4	5	6	7		
8	9	10	11	12	13	14	15	16

B21 (GRAY)

1	2	3	4
5	6	7	8
9	10	11	12
13	14	15	16
17	18	19	20

B: B135

1	2	3	4	5	6	7					
8	9	10	11	12	13	14	15	16	17	18	19
20	21	22	23	24	25	26	27	28			

A: i10 (GREEN)

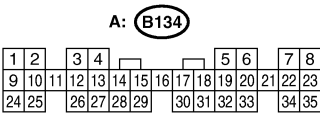
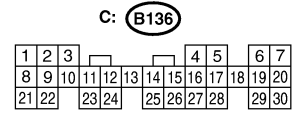
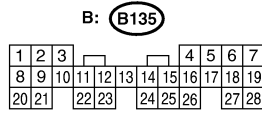
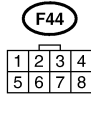
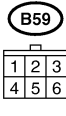
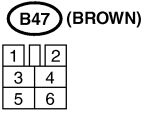
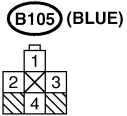
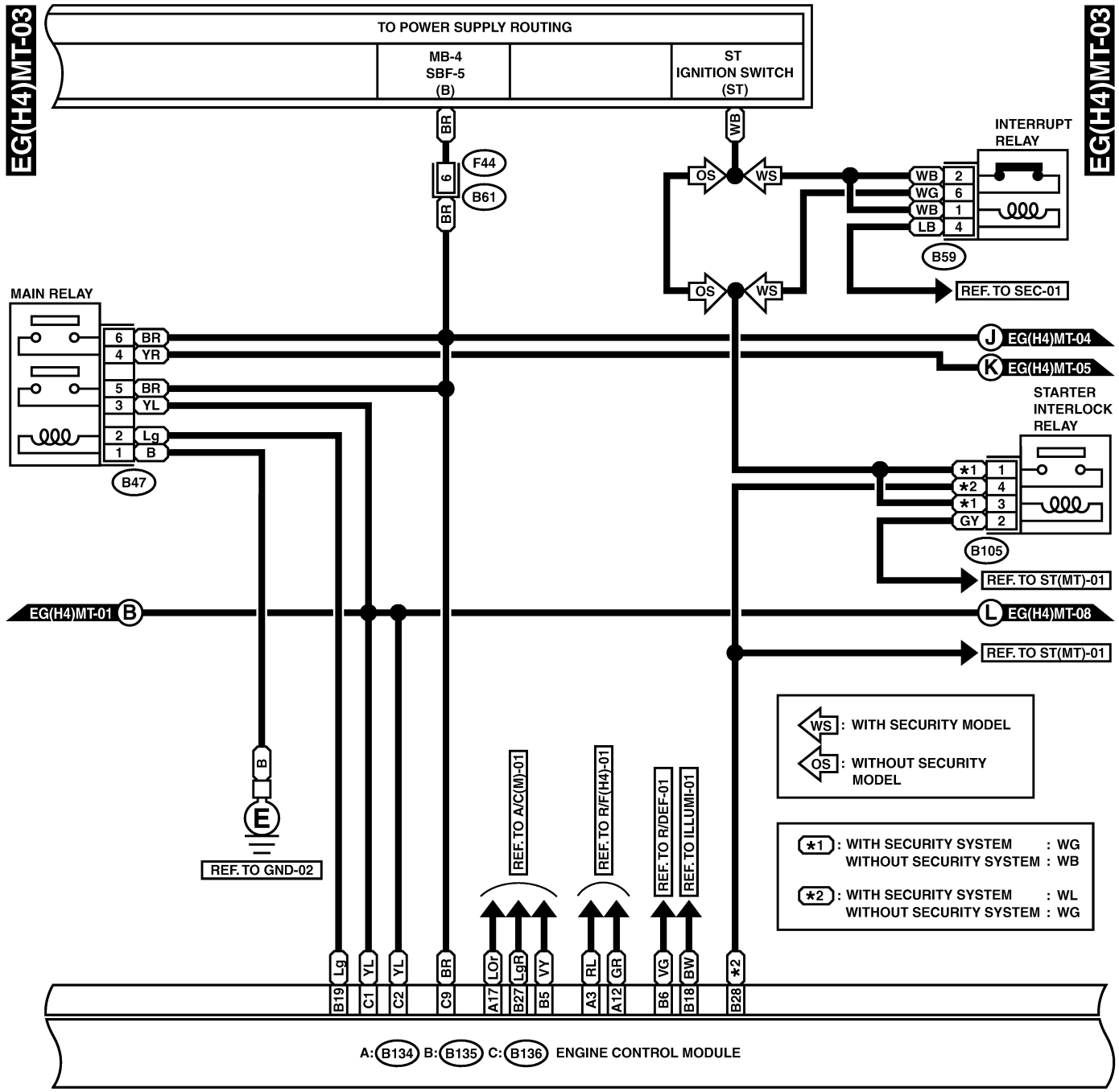
1	2	3	4	5	6	7	8	9	10	11	12	13	14		
15	16	17	18	19	20	21	22	23	24	25	26	27	28	29	30

A: B134

1	2	3	4	5	6	7	8							
9	10	11	12	13	14	15	16	17	18	19	20	21	22	23
24	25	26	27	28	29	30	31	32	33	34	35			

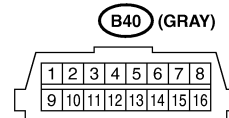
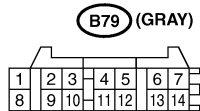
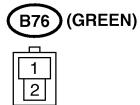
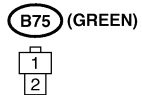
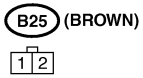
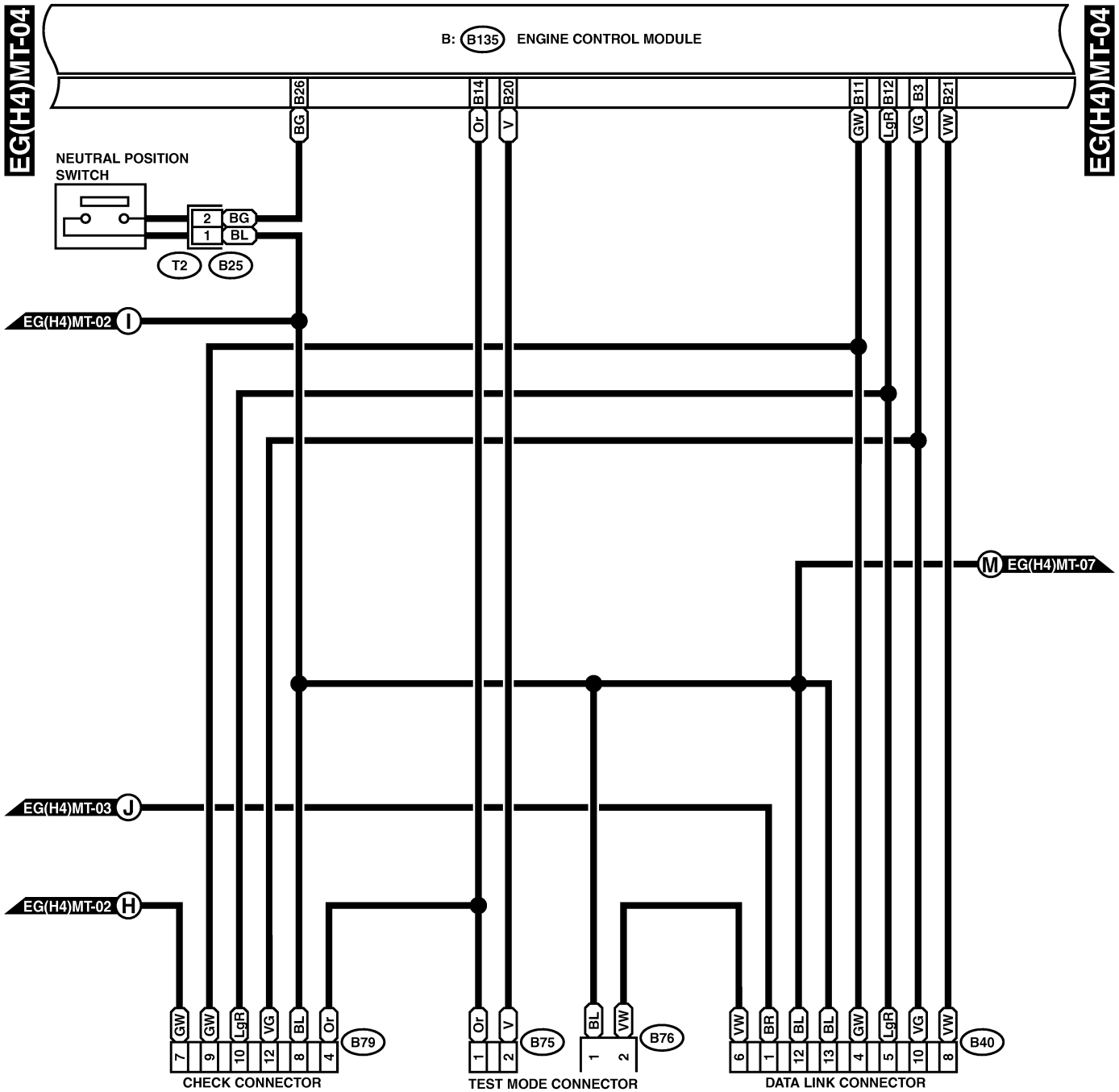
ENGINE ELECTRICAL SYSTEM

Wiring System



ENGINE ELECTRICAL SYSTEM

Wiring System

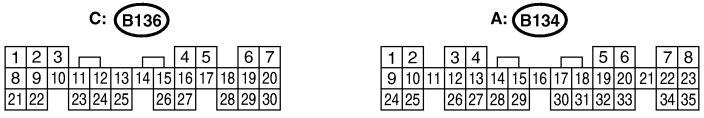
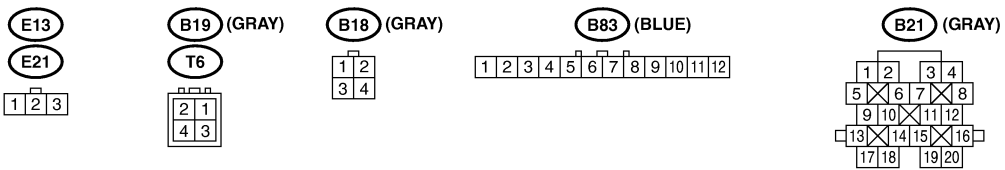
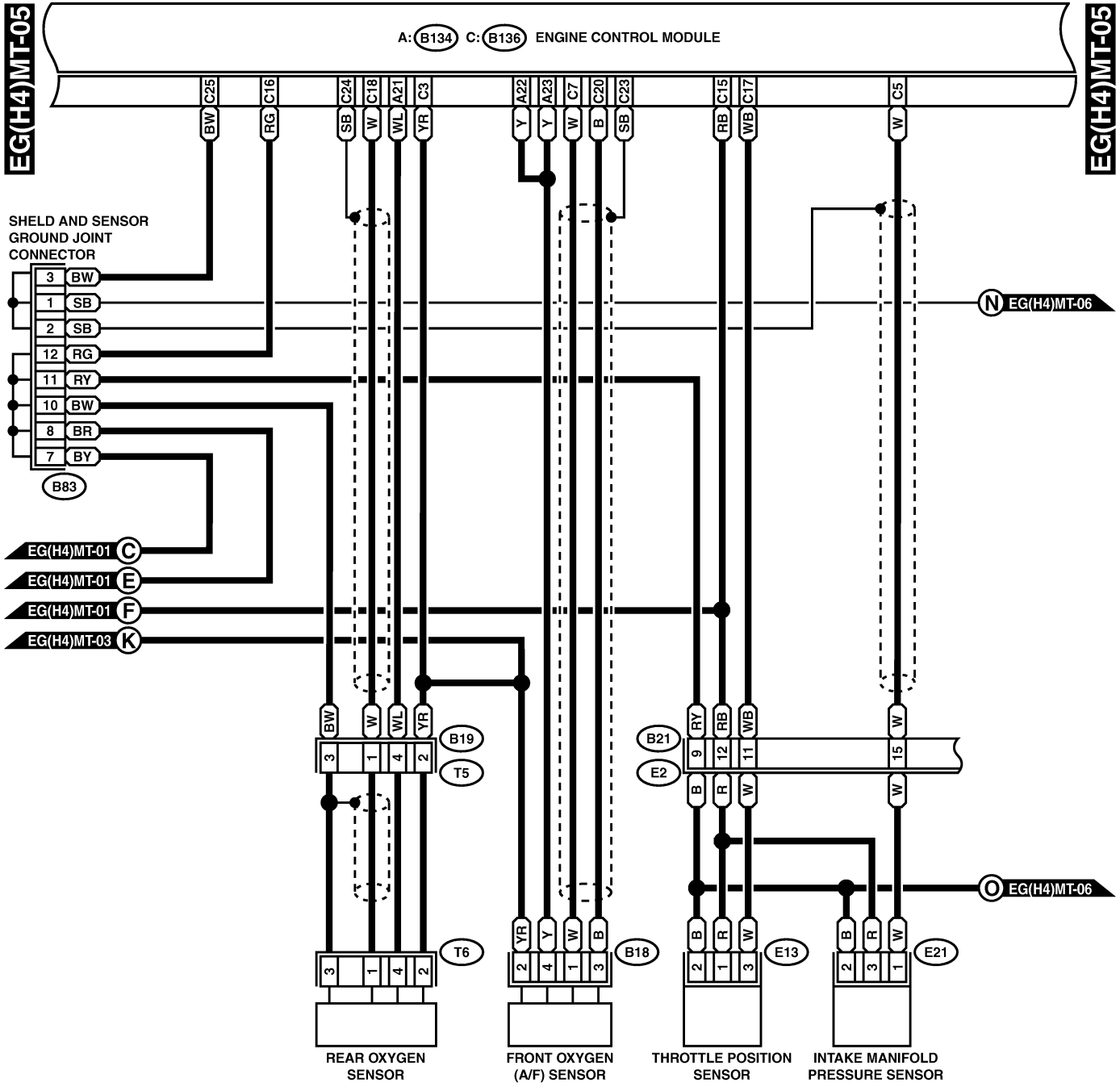


B: (B135)



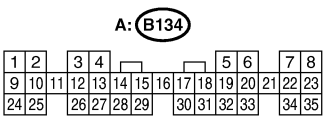
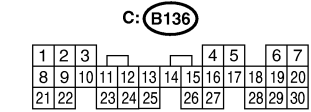
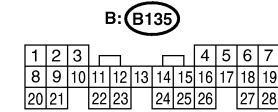
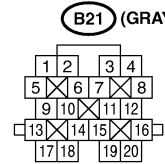
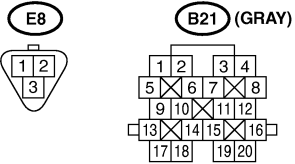
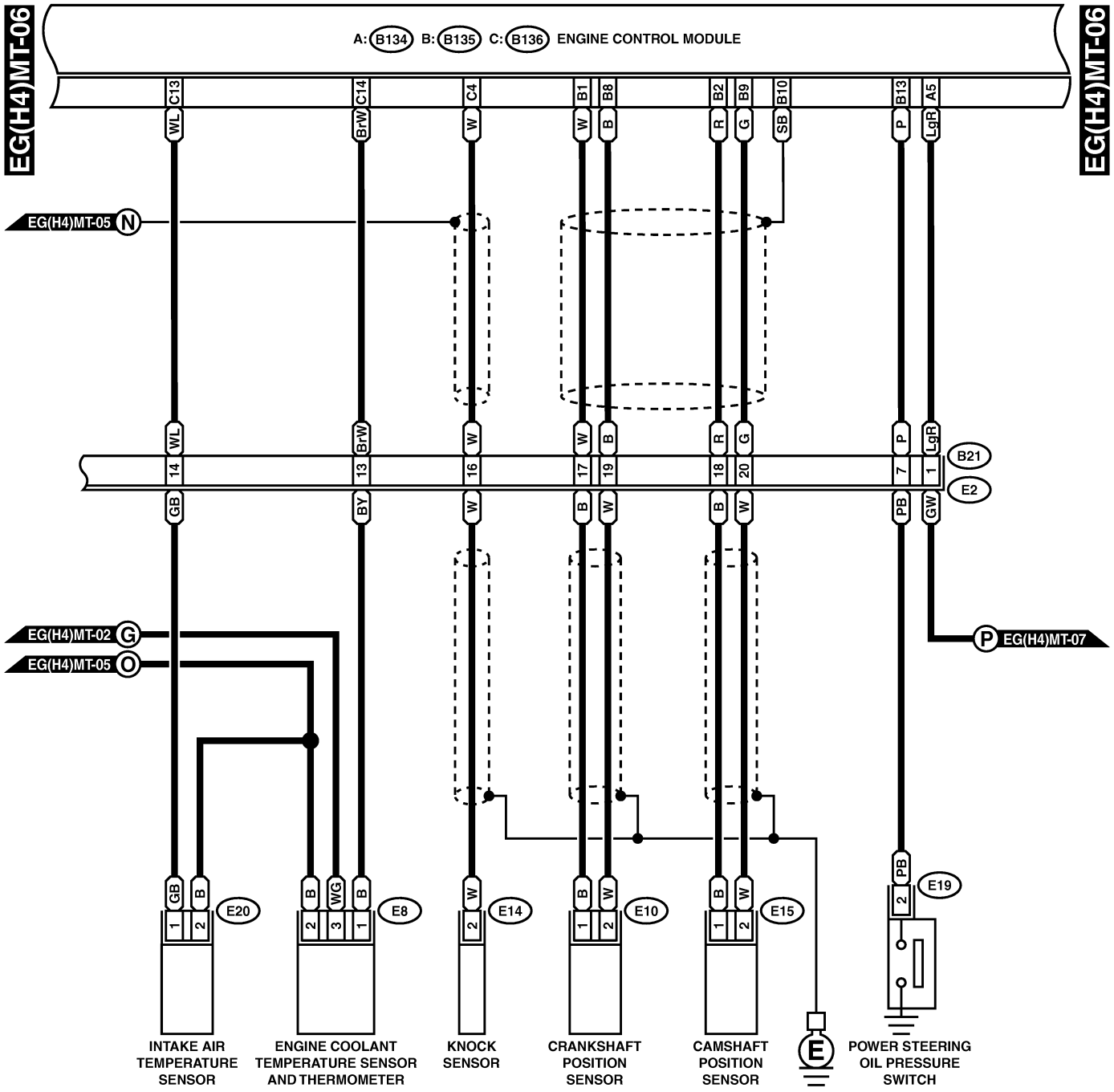
ENGINE ELECTRICAL SYSTEM

Wiring System



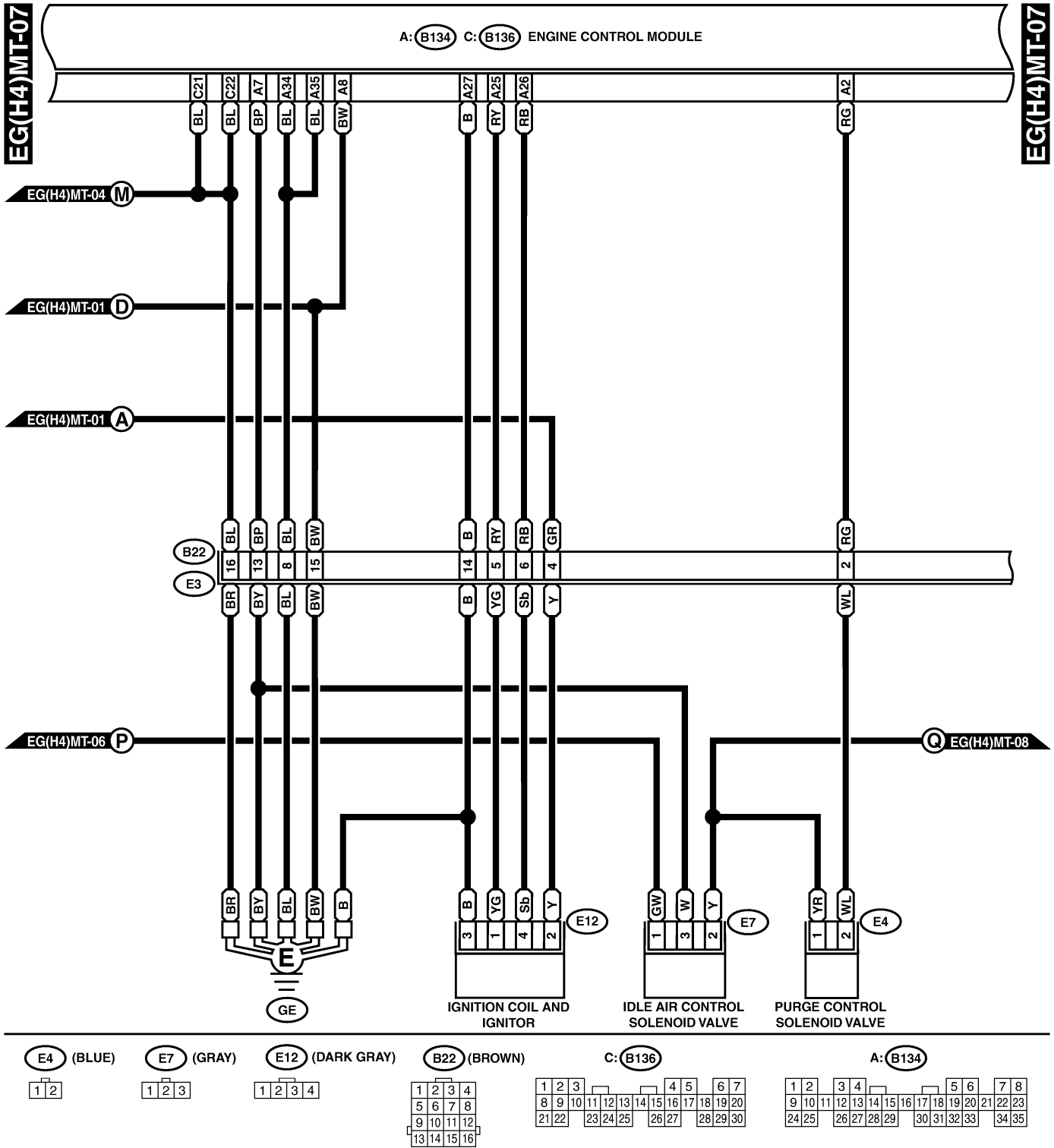
ENGINE ELECTRICAL SYSTEM

Wiring System



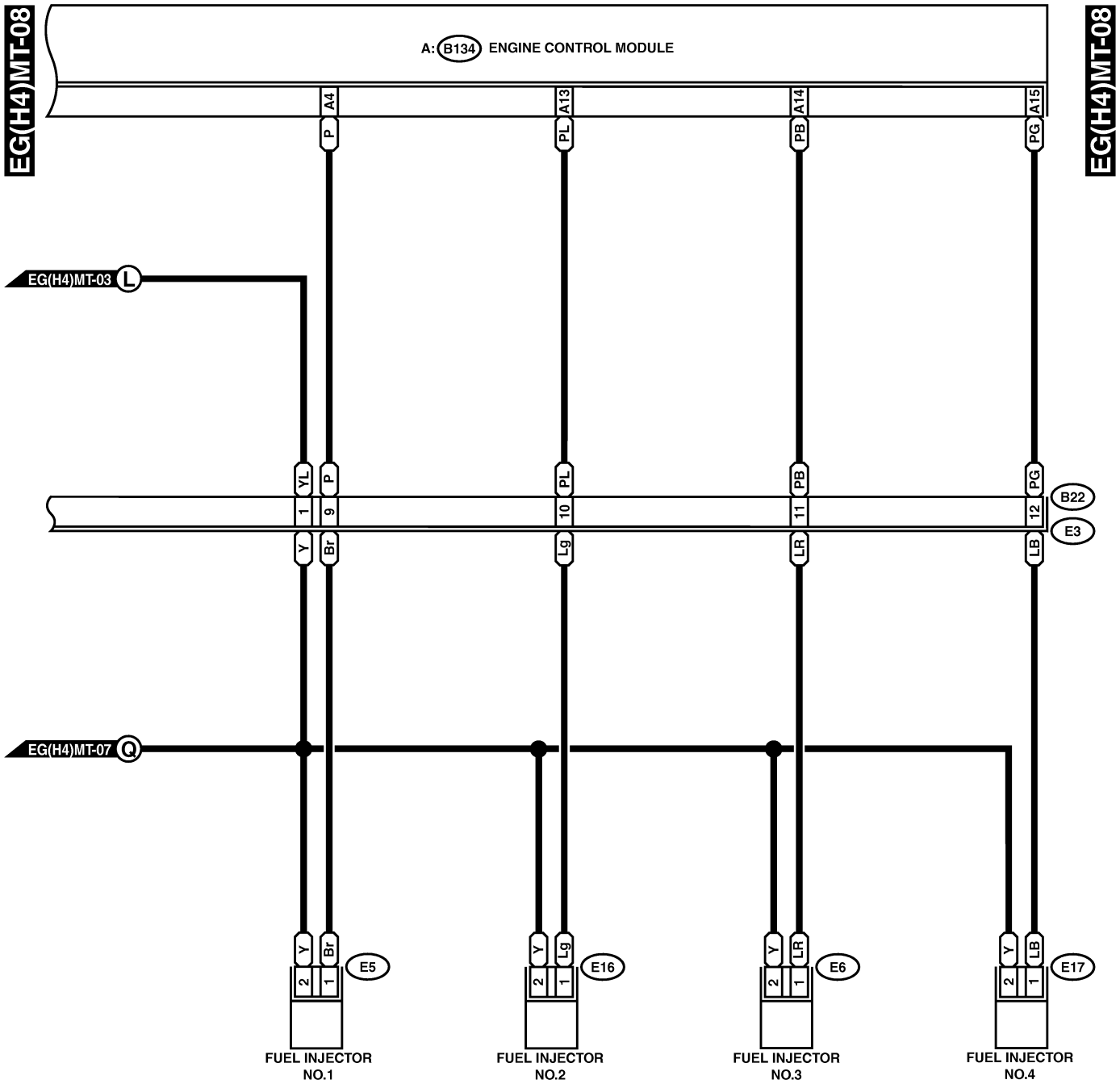
ENGINE ELECTRICAL SYSTEM

Wiring System



ENGINE ELECTRICAL SYSTEM

Wiring System



E5 (GRAY)

E6 (GRAY)

E16 (GRAY)

E17 (GRAY)

1 2

B22 (BROWN)

1	2	3	4
5	6	7	8
9	10	11	12
13	14	15	16

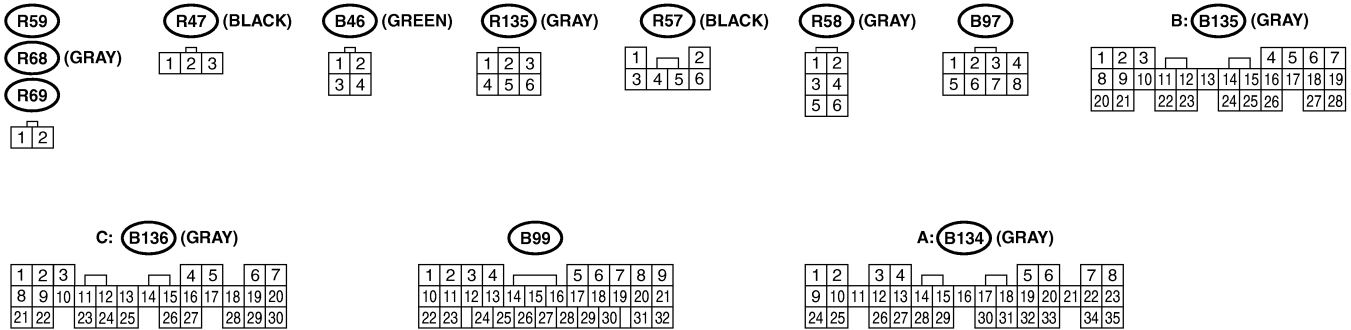
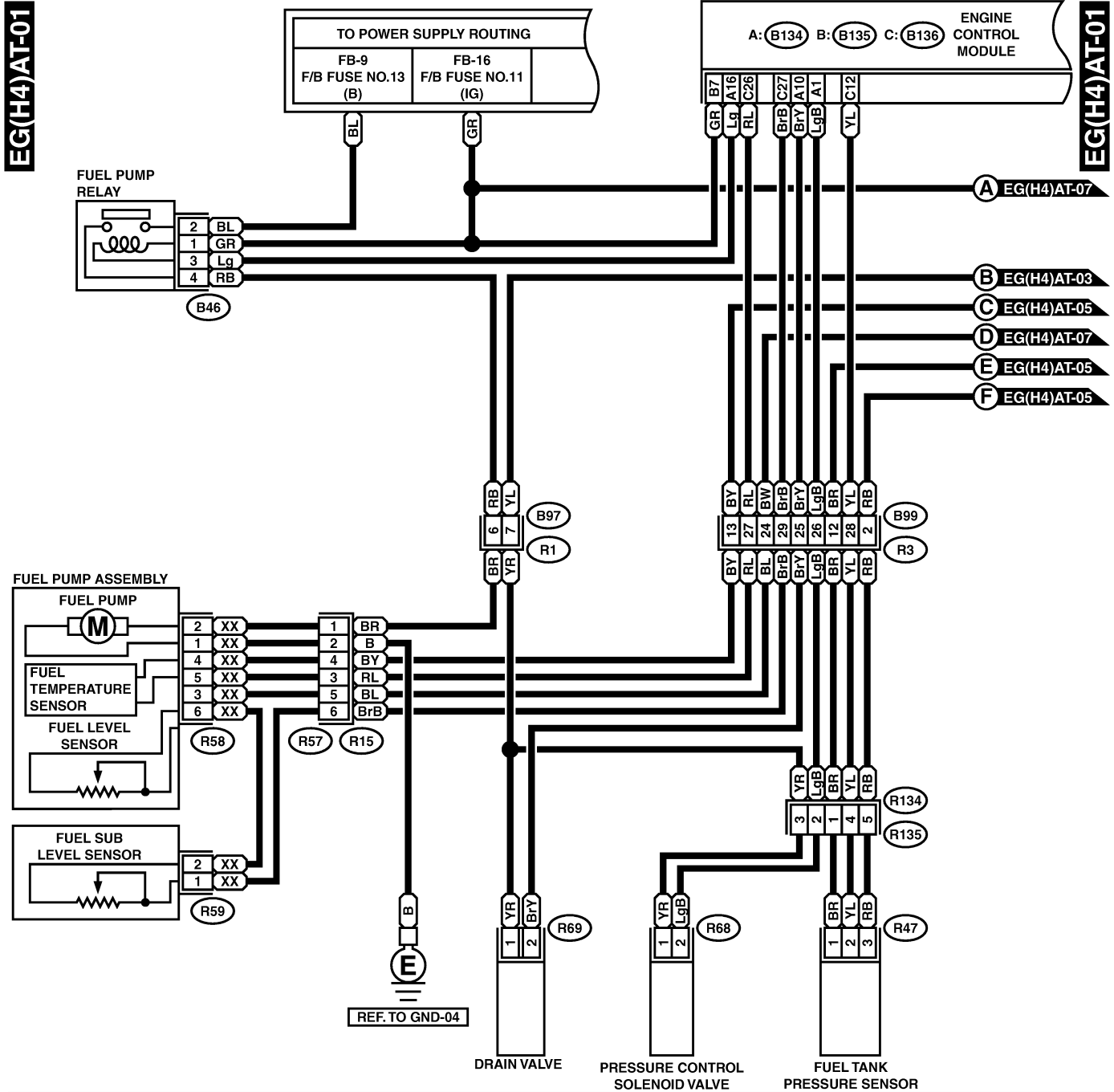
A: B134

1	2	3	4	5	6	7	8
9	10	11	12	13	14	15	16
17	18	19	20	21	22	23	24
25	26	27	28	29	30	31	32
33	34	35					

ENGINE ELECTRICAL SYSTEM

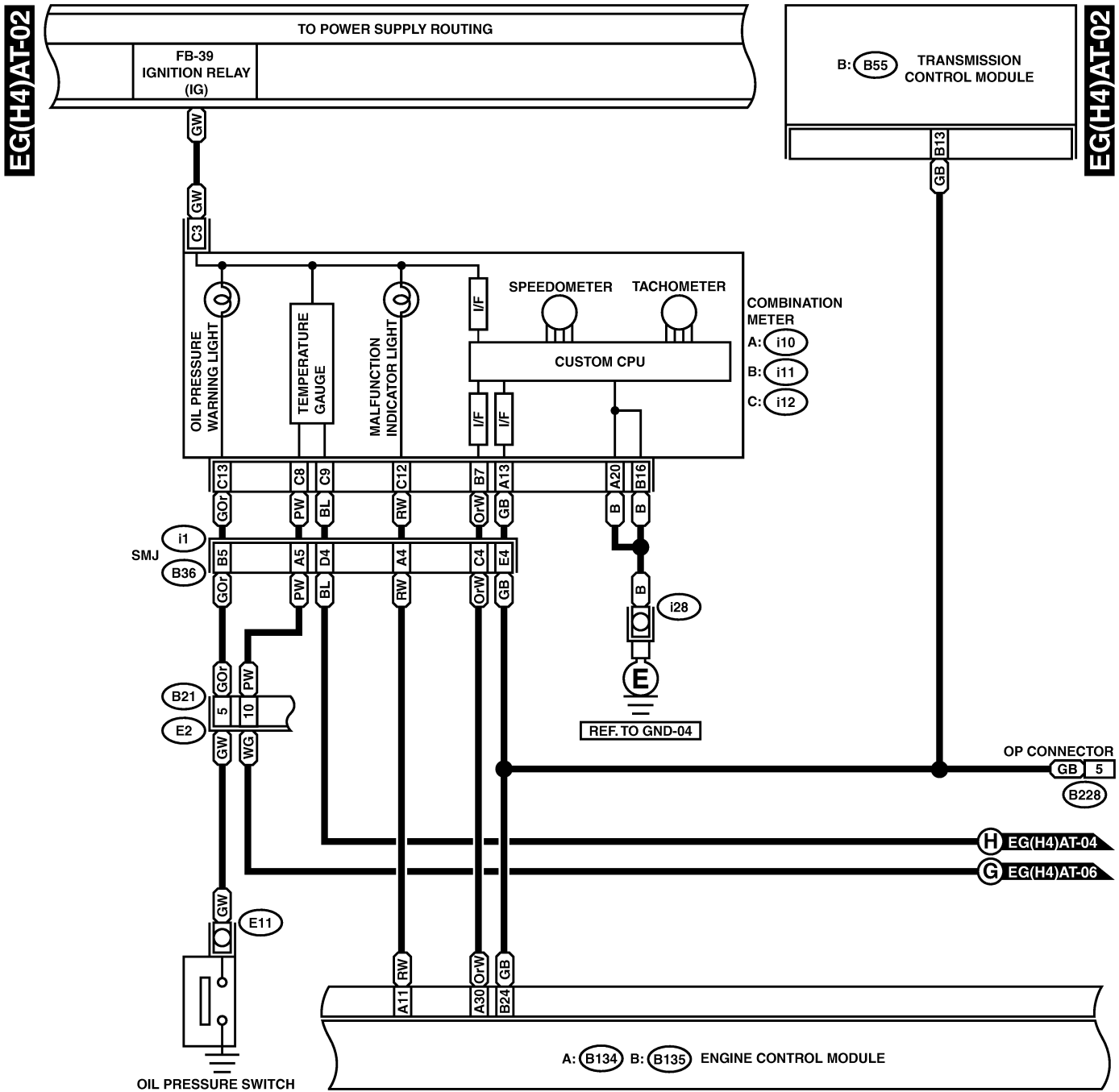
Wiring System

2. 4-CYLINDER ENGINE AT MODEL S903482A2104



ENGINE ELECTRICAL SYSTEM

Wiring System



C: i12 (GREEN)

1	2	3	4	5	6
7	8	9	10	11	12
13	14				

B228

1	2	3
4	5	6
7	8	9
10	11	12
13	14	15

B: i11 (GREEN)

1	2	3	4	5	6	7
8	9	10	11	12	13	14
15	16					

B21 (GRAY)

1	2	3	4
5	6	7	8
9	10	11	12
13	14	15	16
17	18	19	20

B: B55 (GRAY)

1	2	3	4	5	6	7	8	9
10	11	12	13	14	15	16	17	18
19	20	21				22	23	24

B: R135 (GRAY)

1	2	3	4	5	6	7
8	9	10	11	12	13	14
15	16	17	18	19		
20	21	22	23	24	25	26
27	28					

A: i10 (GREEN)

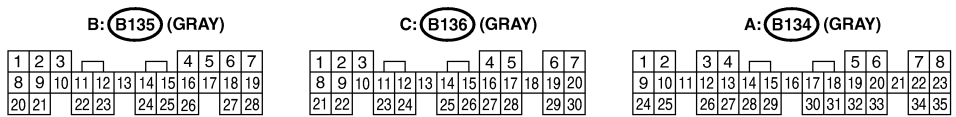
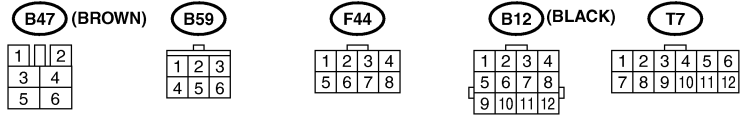
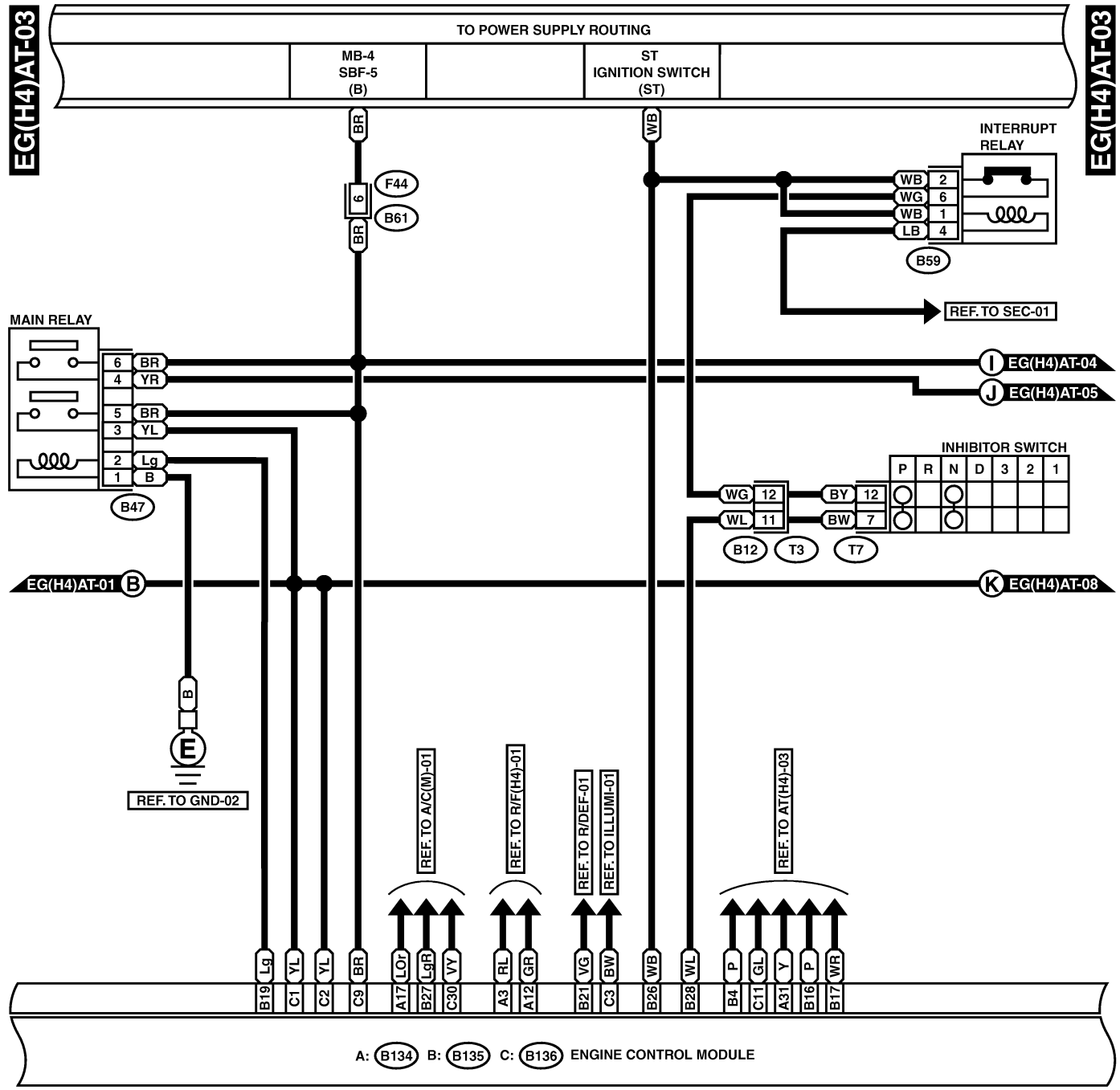
1	2	3	4	5	6	7	8	9	10	11	12	13	14
15	16	17	18	19	20	21	22	23	24	25	26	27	28
29	30												

A: B134 (GRAY)

1	2	3	4	5	6	7	8
9	10	11	12	13	14	15	16
17	18	19	20	21	22	23	
24	25	26	27	28	29	30	31
32	33	34	35				

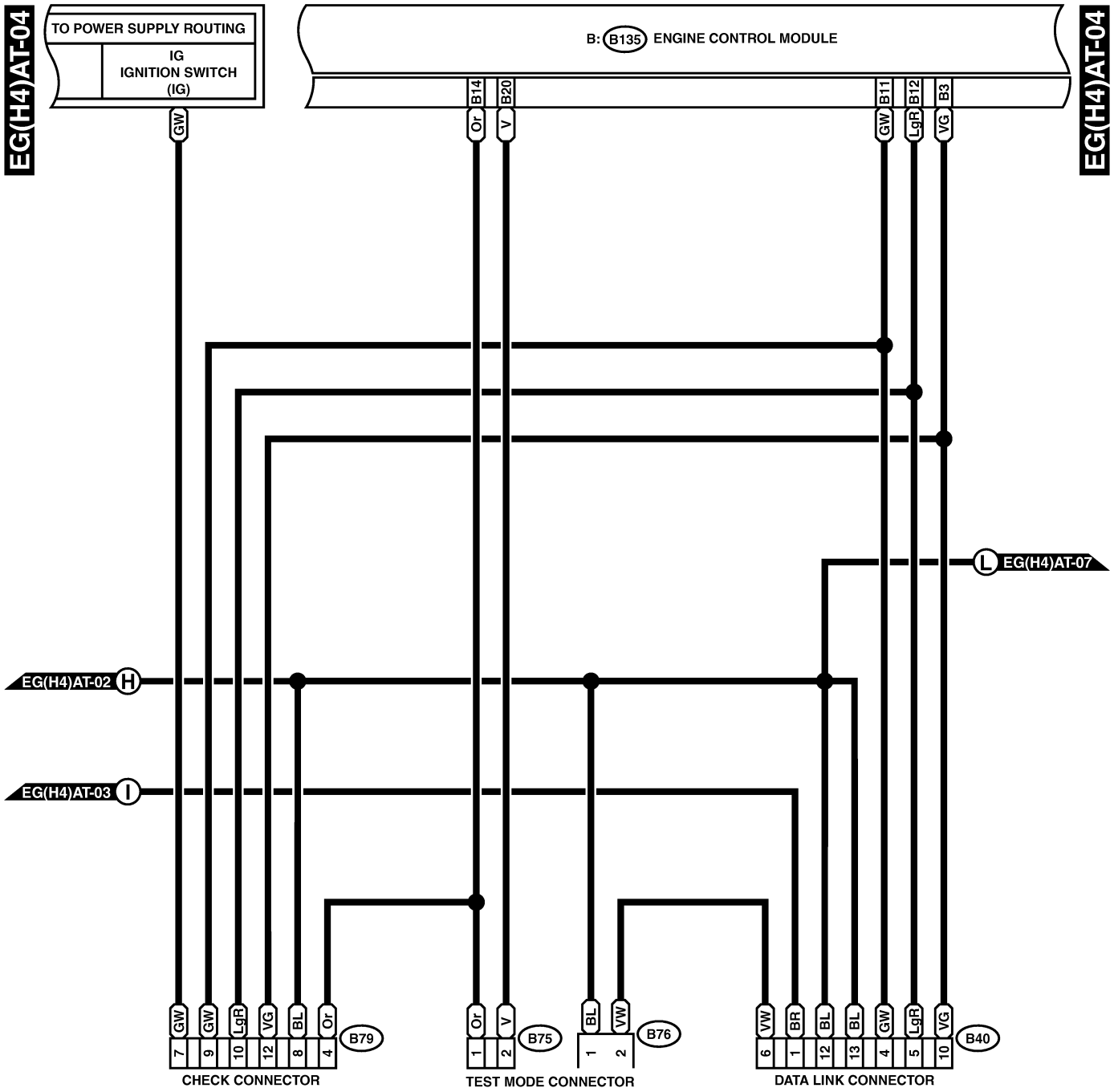
ENGINE ELECTRICAL SYSTEM

Wiring System



ENGINE ELECTRICAL SYSTEM

Wiring System



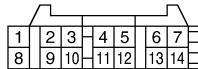
B75 (GREEN)



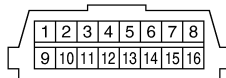
B76 (GREEN)



B79 (GRAY)



B40 (GRAY)

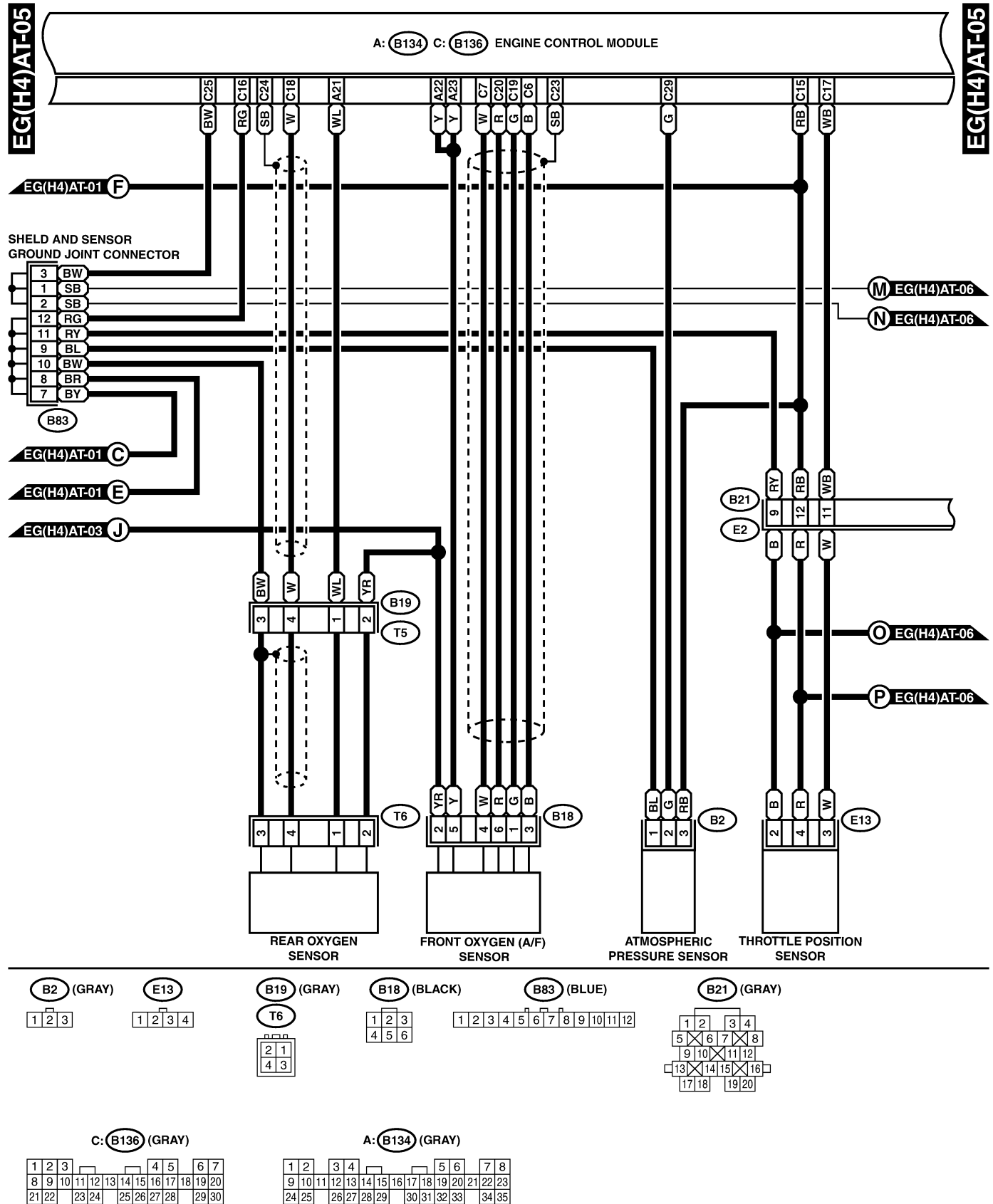


B: (B135) (GRAY)



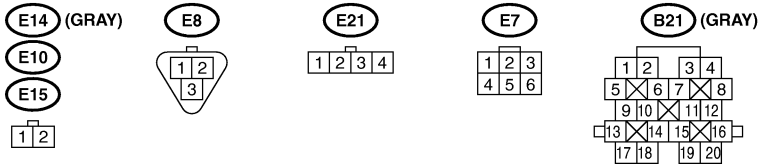
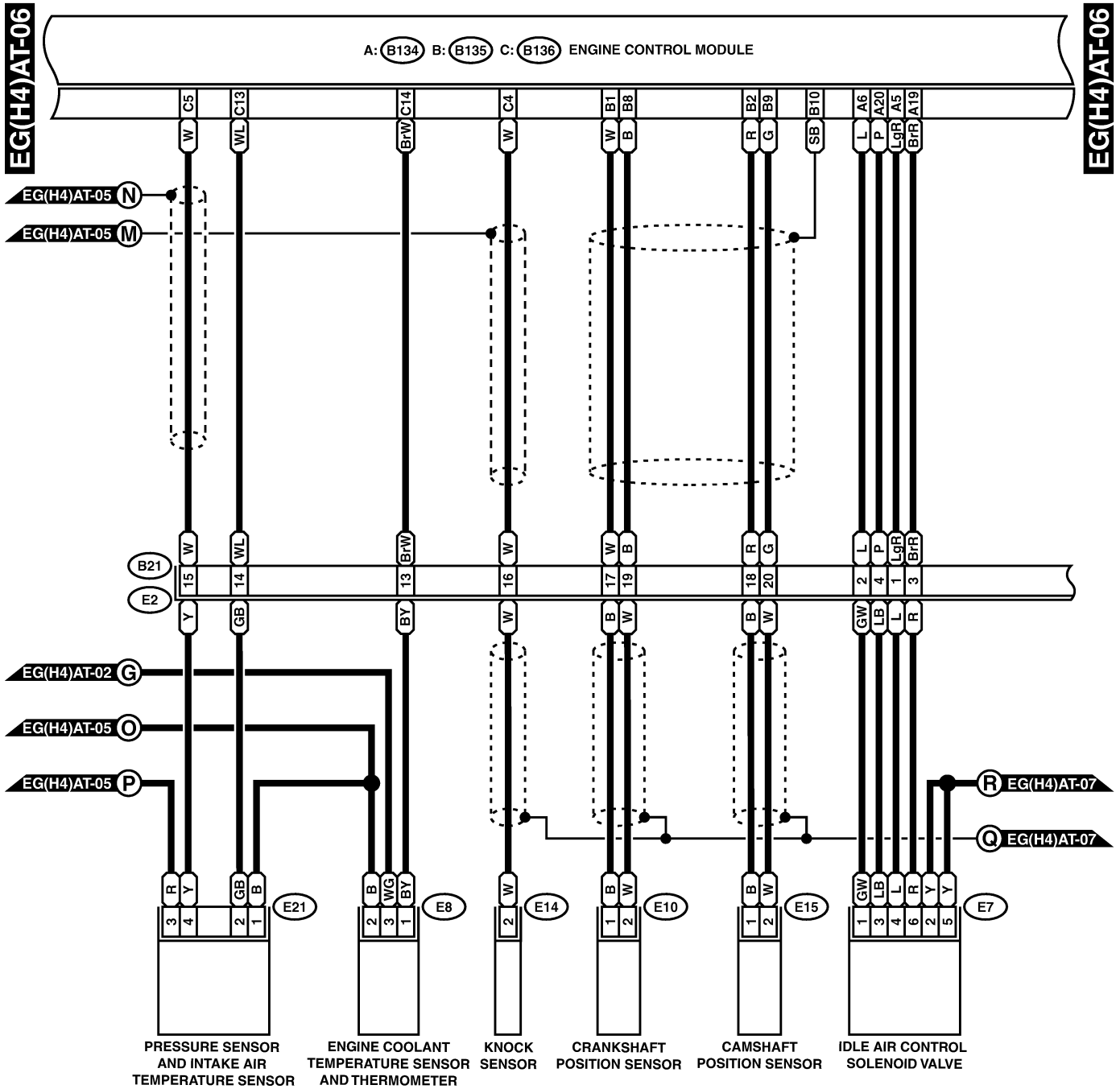
ENGINE ELECTRICAL SYSTEM

Wiring System



ENGINE ELECTRICAL SYSTEM

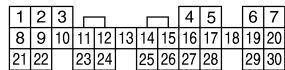
Wiring System



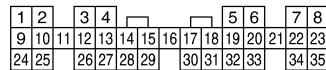
B: B135 (GRAY)



C: B136 (GRAY)

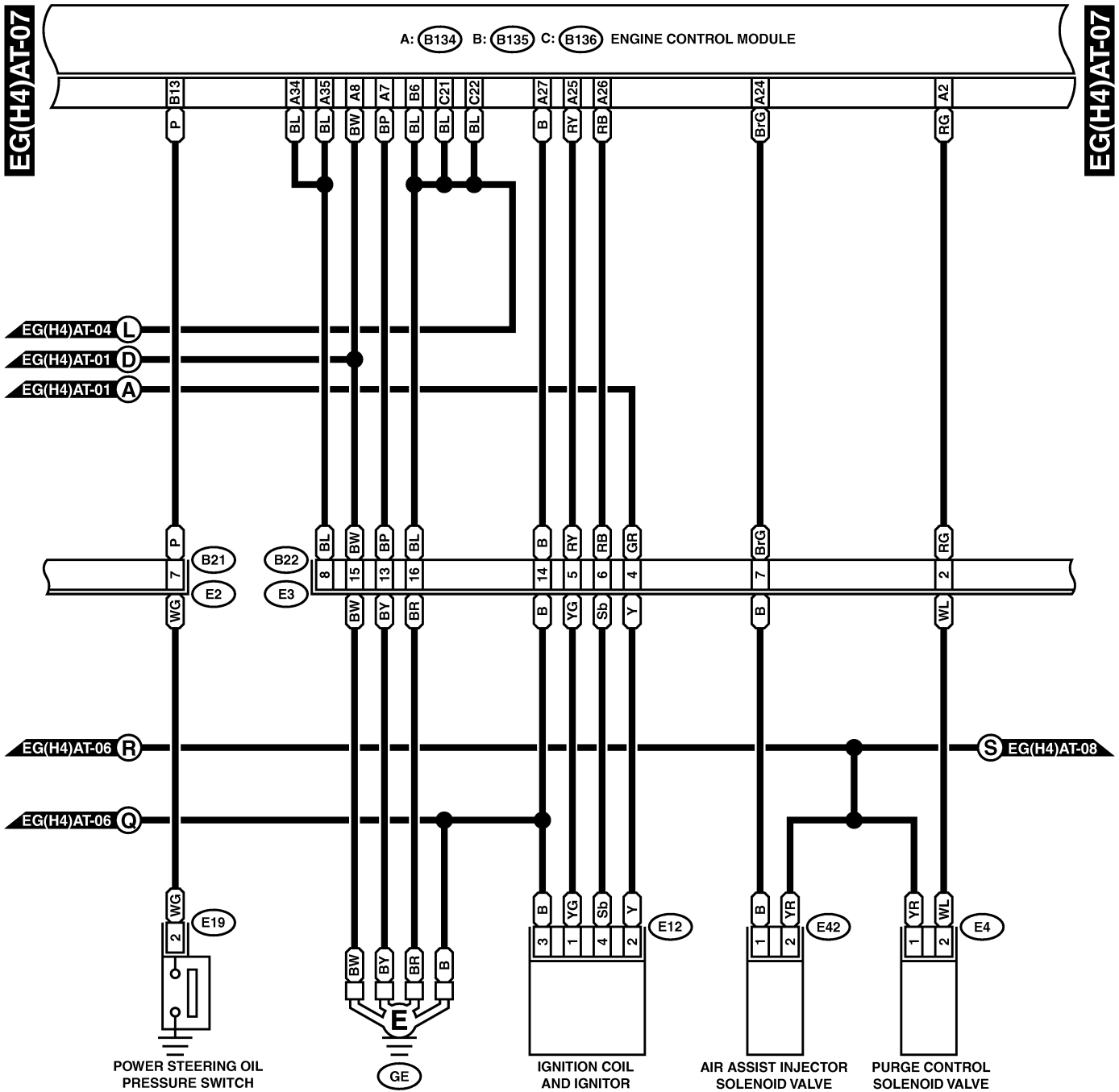


A: B134 (GRAY)

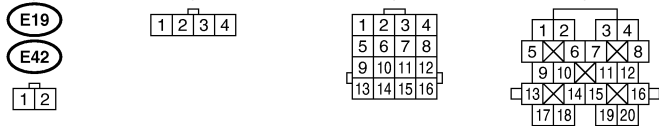


ENGINE ELECTRICAL SYSTEM

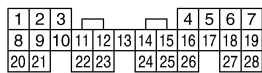
Wiring System



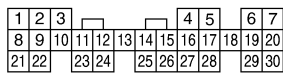
E4 (BLUE) E12 (DARK GRAY) B22 (BROWN) B21 (GRAY)



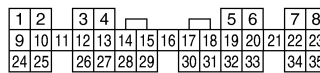
B: B135 (GRAY)



C: B136 (GRAY)

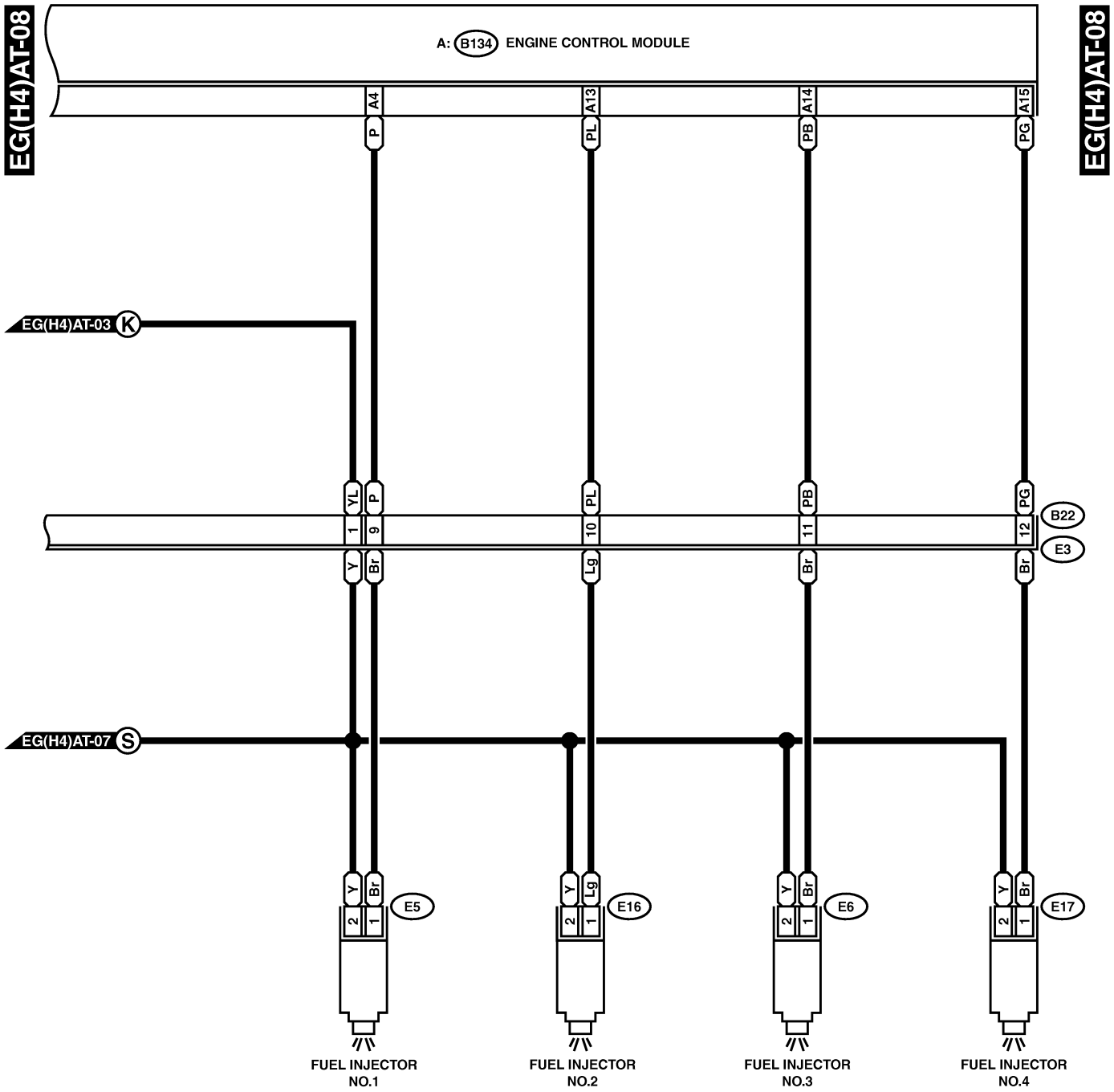


A: B134 (GRAY)



ENGINE ELECTRICAL SYSTEM

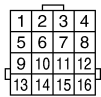
Wiring System



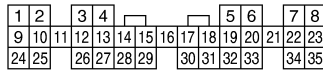
(E5) (GRAY) (E16) (GRAY)
 (E6) (GRAY) (E17) (GRAY)



(B22) (BROWN)



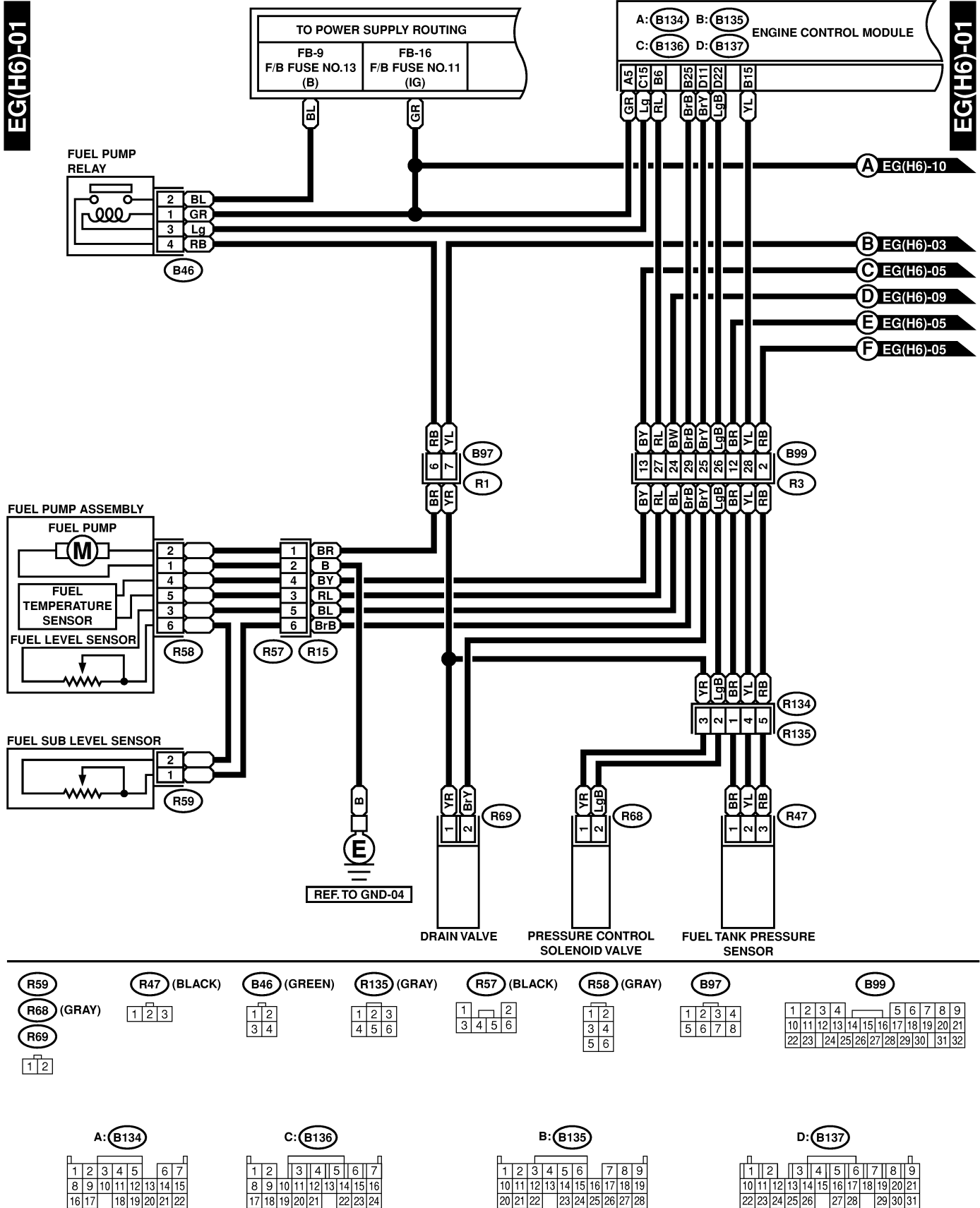
A: (B134) (GRAY)



ENGINE ELECTRICAL SYSTEM

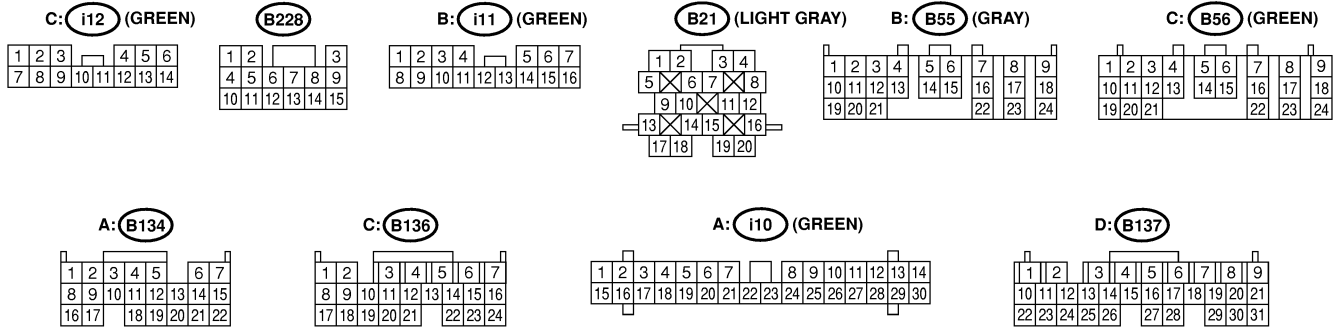
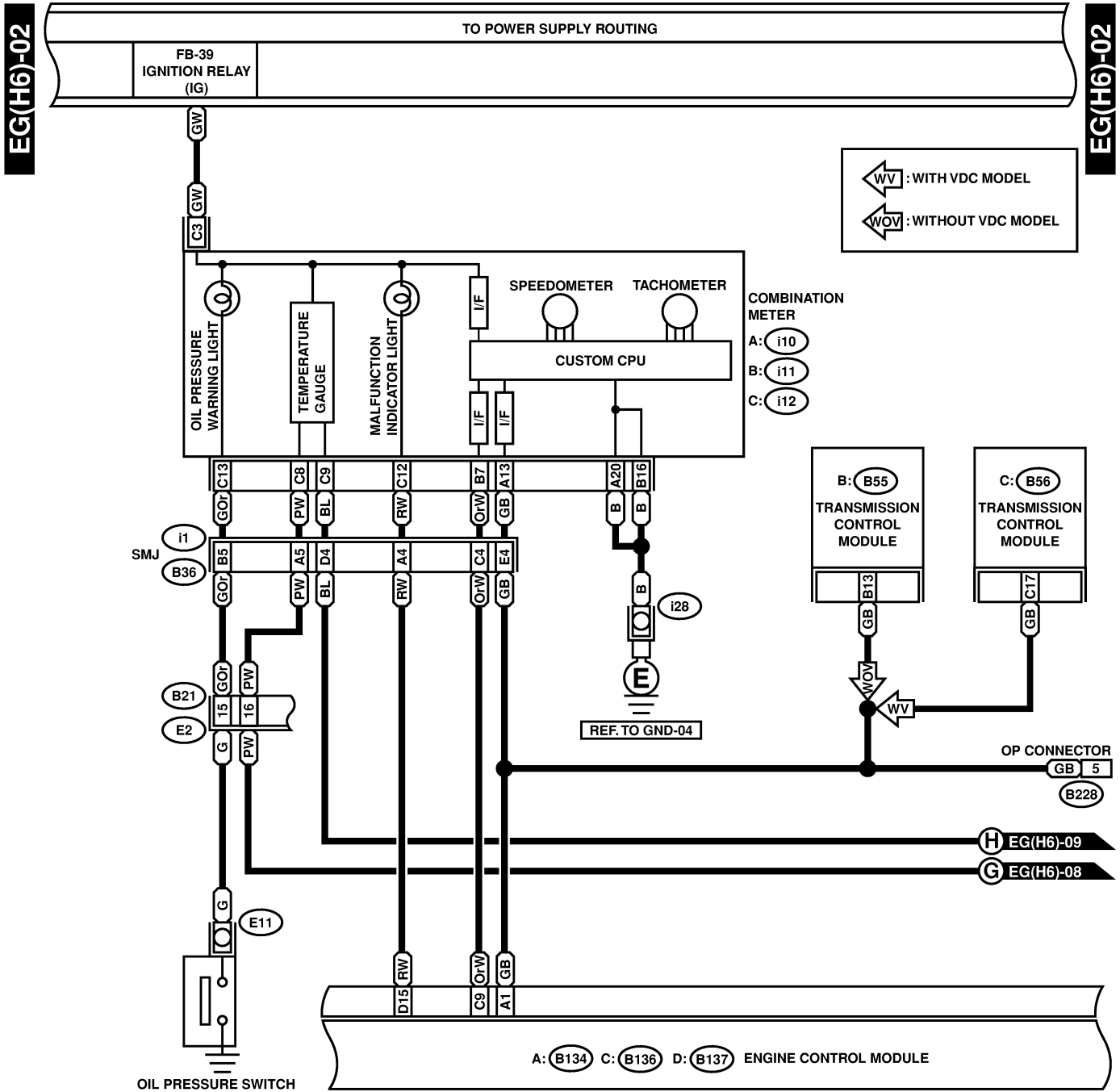
Wiring System

3. 6-CYLINDER ENGINE MODEL S903482A2105



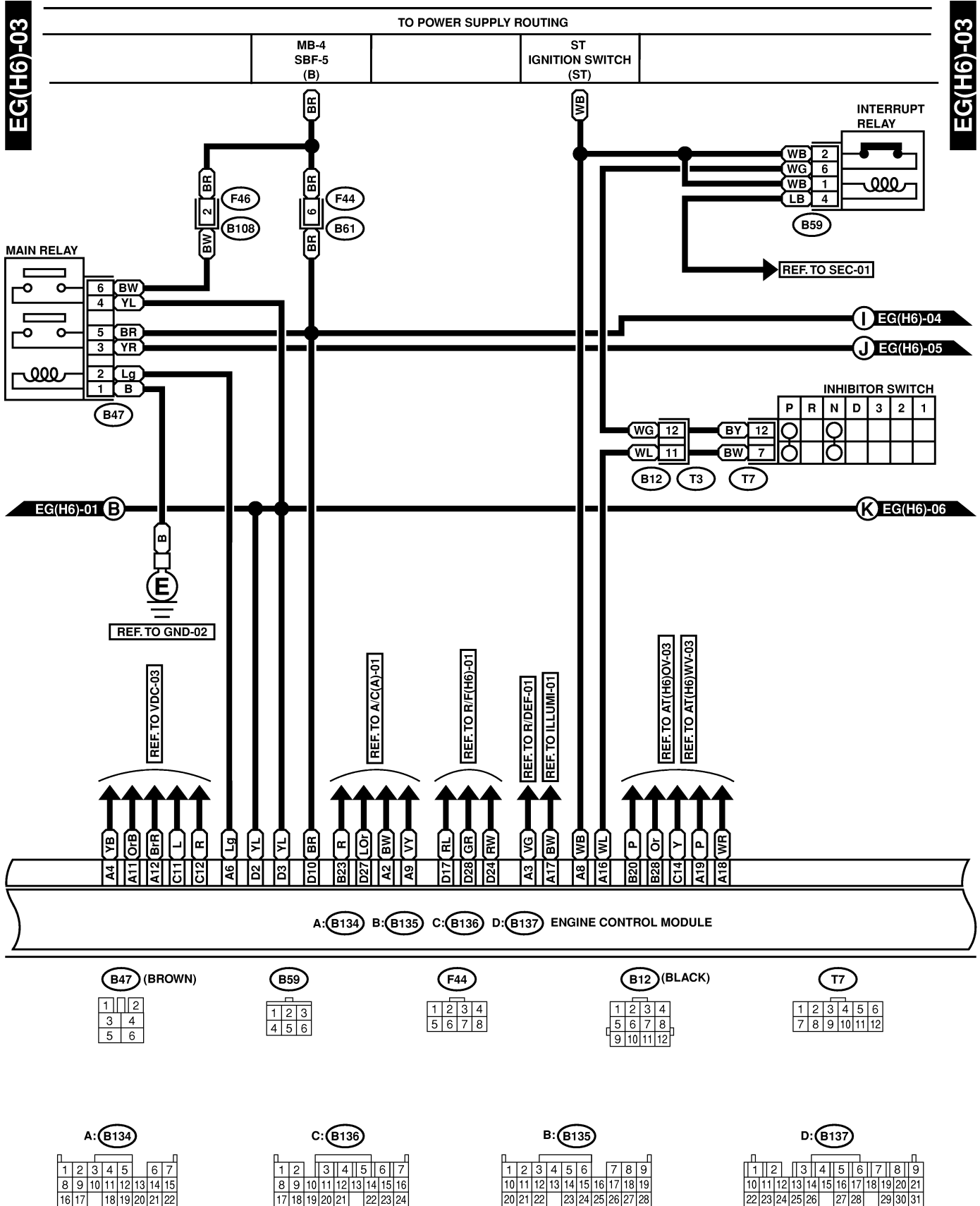
ENGINE ELECTRICAL SYSTEM

Wiring System



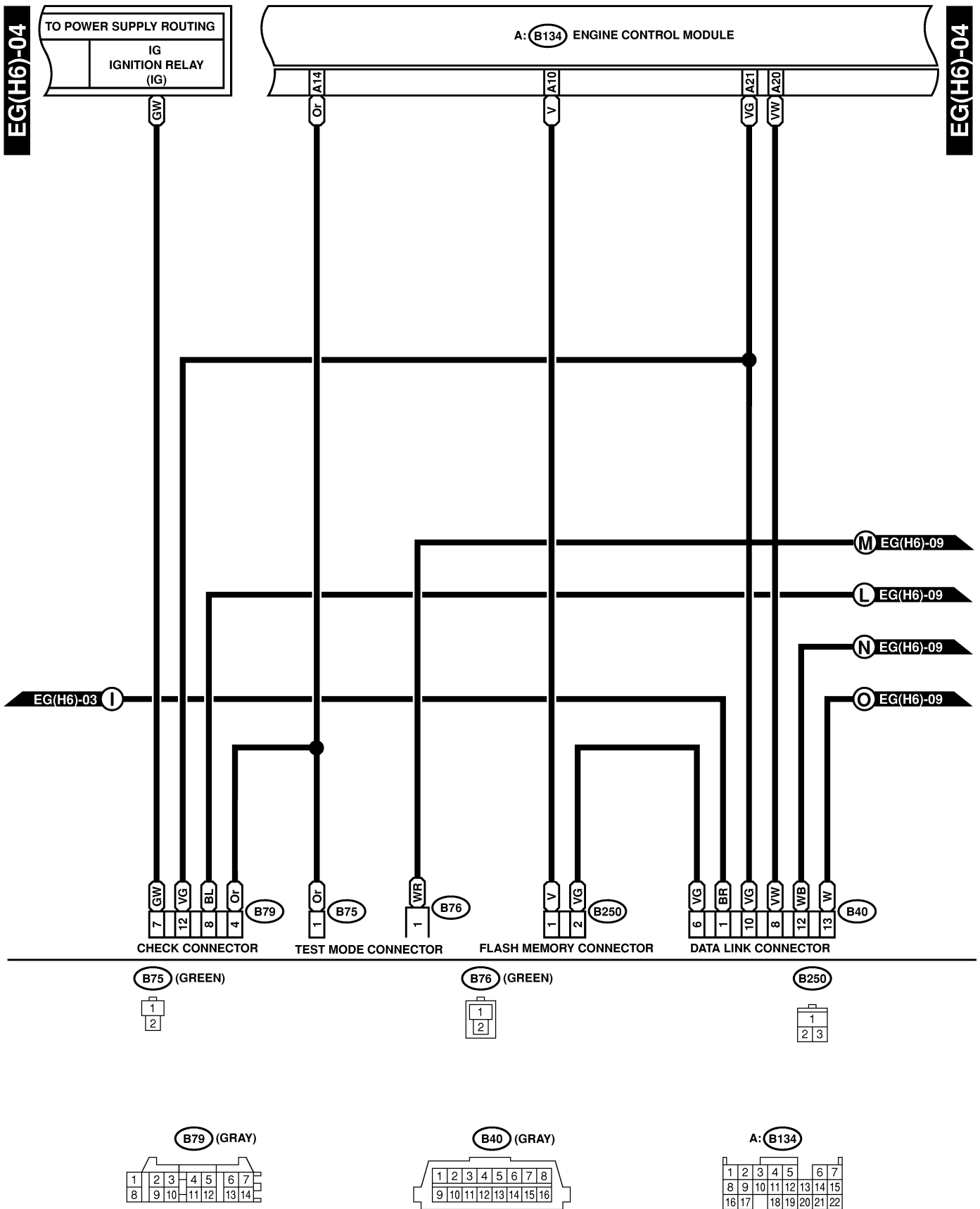
ENGINE ELECTRICAL SYSTEM

Wiring System



ENGINE ELECTRICAL SYSTEM

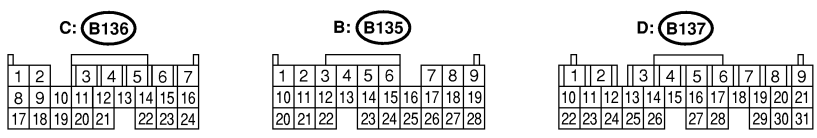
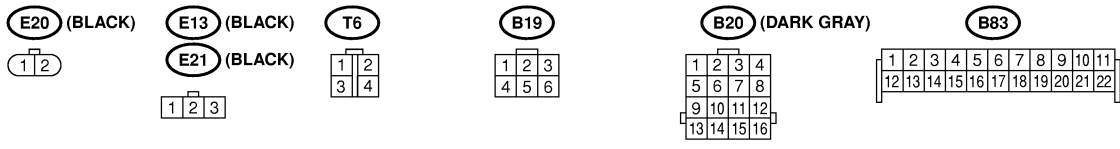
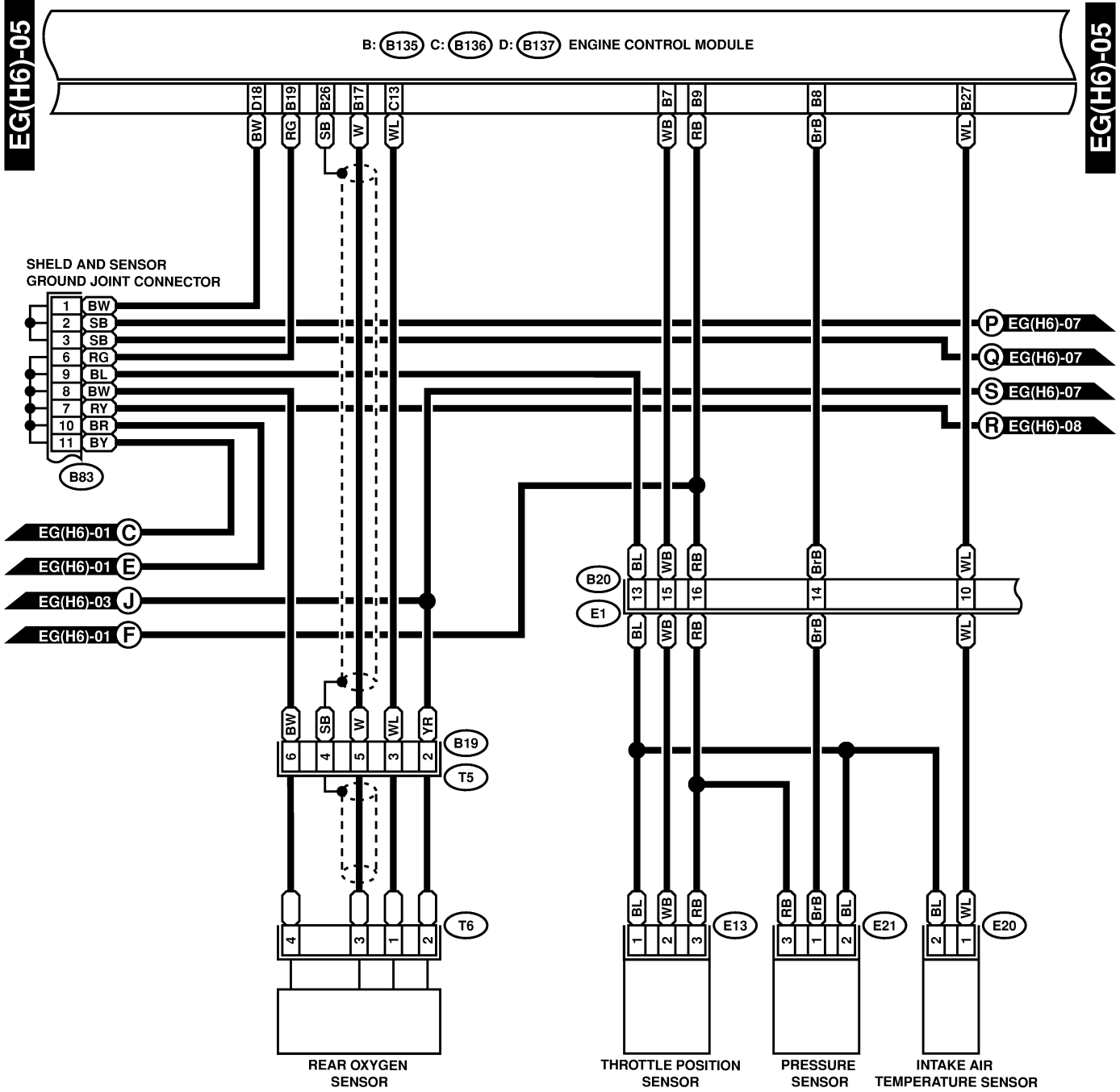
Wiring System



BU10-25D

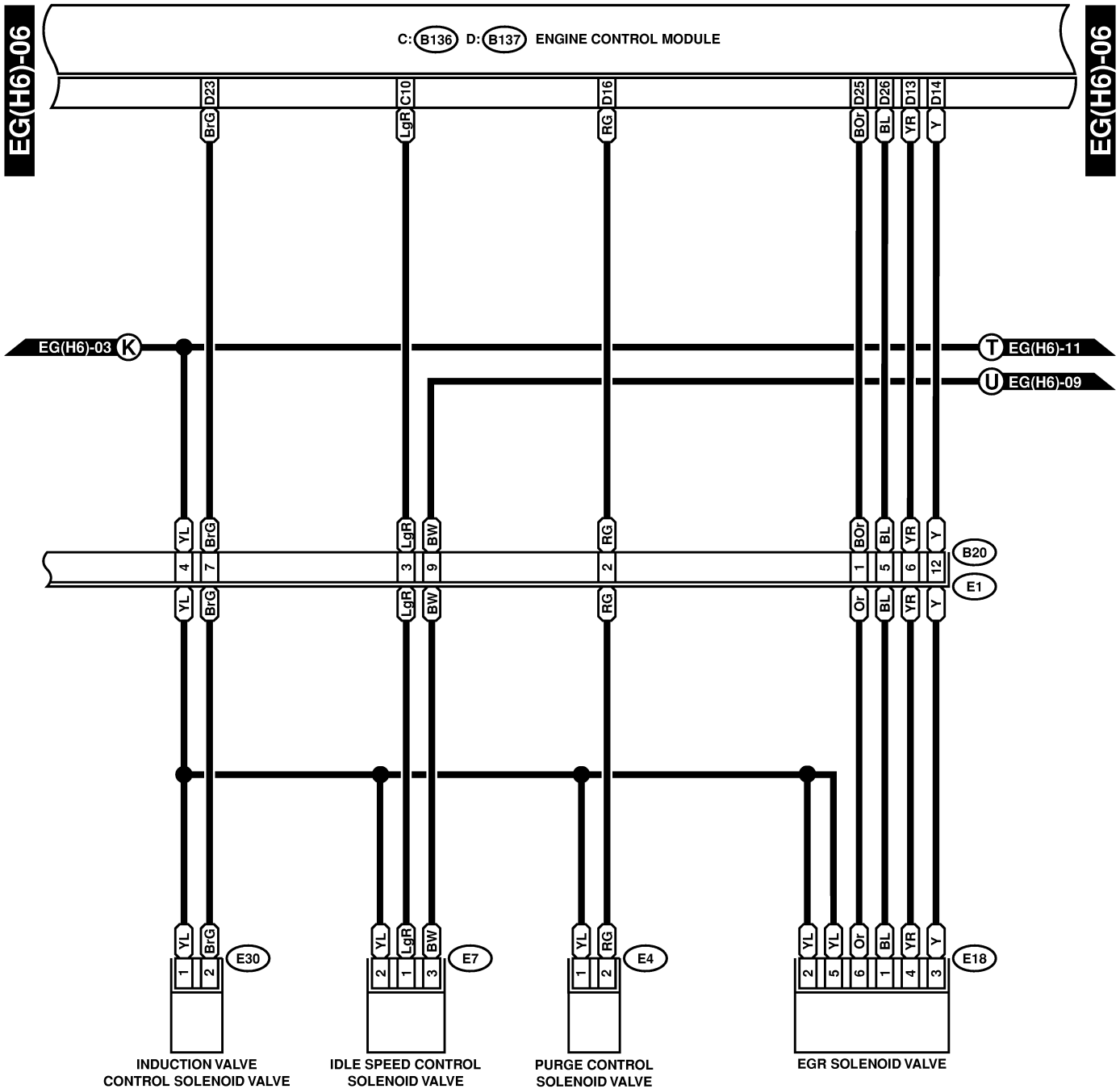
ENGINE ELECTRICAL SYSTEM

Wiring System



ENGINE ELECTRICAL SYSTEM

Wiring System



E30 (BROWN)



E4 (BLACK)



E7 (GRAY)



E18 (GRAY)



B20 (DARK GRAY)



C: B136

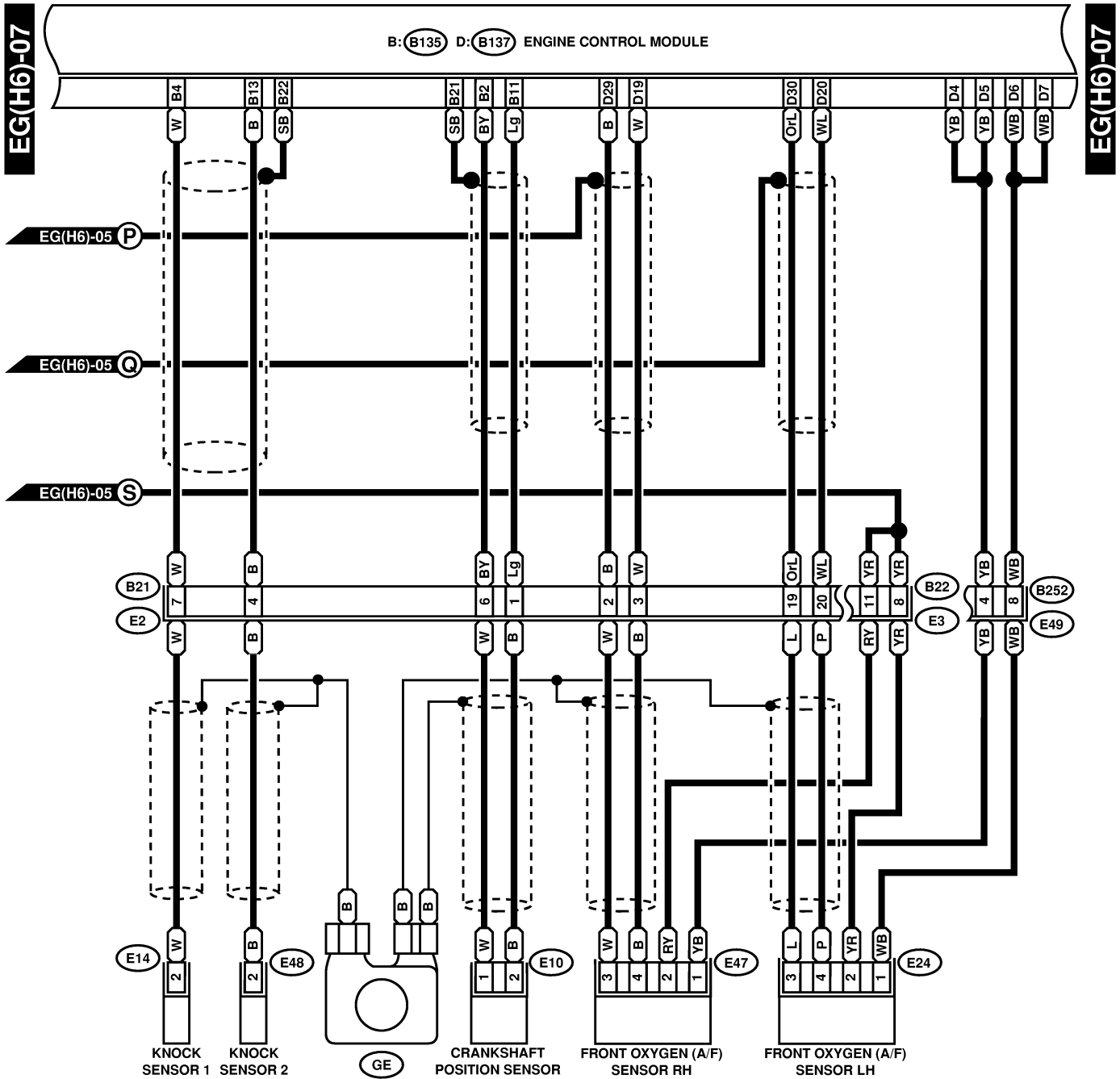


D: B137



ENGINE ELECTRICAL SYSTEM

Wiring System



E14 (BLUE)

E48 (BLUE)



E10 (GRAY)



E24 (DARK GRAY)

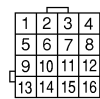
E47 (DARK GRAY)



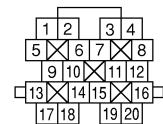
B252 (DARK GRAY)



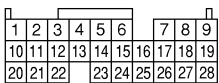
B22 (BROWN)



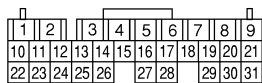
B21 (LIGHT GRAY)



B: B135

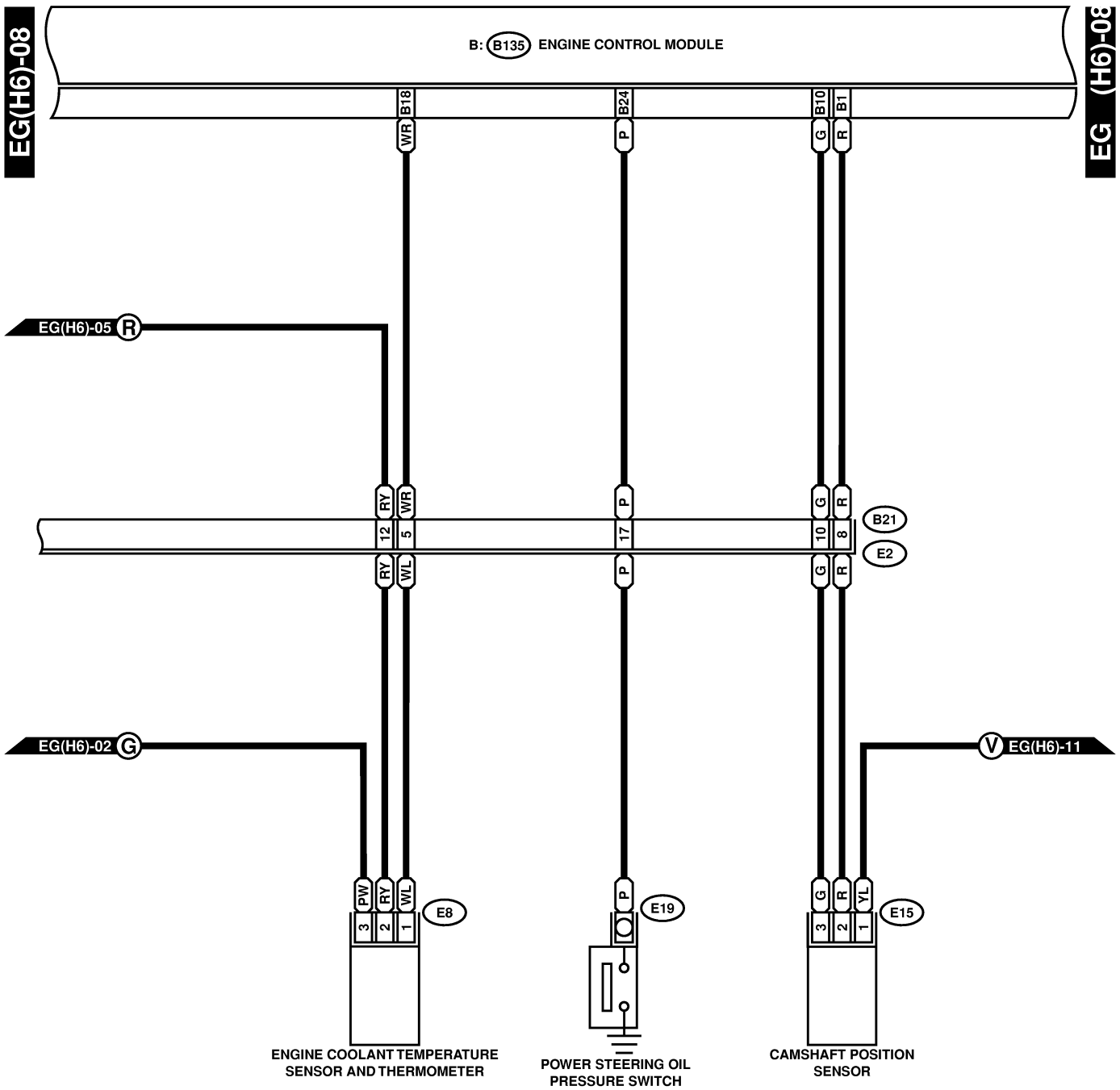


D: B137



ENGINE ELECTRICAL SYSTEM

Wiring System



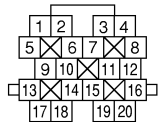
E15 (GRAY)



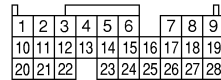
E8 (LIGHT GRAY)



B21 (LIGHT GRAY)

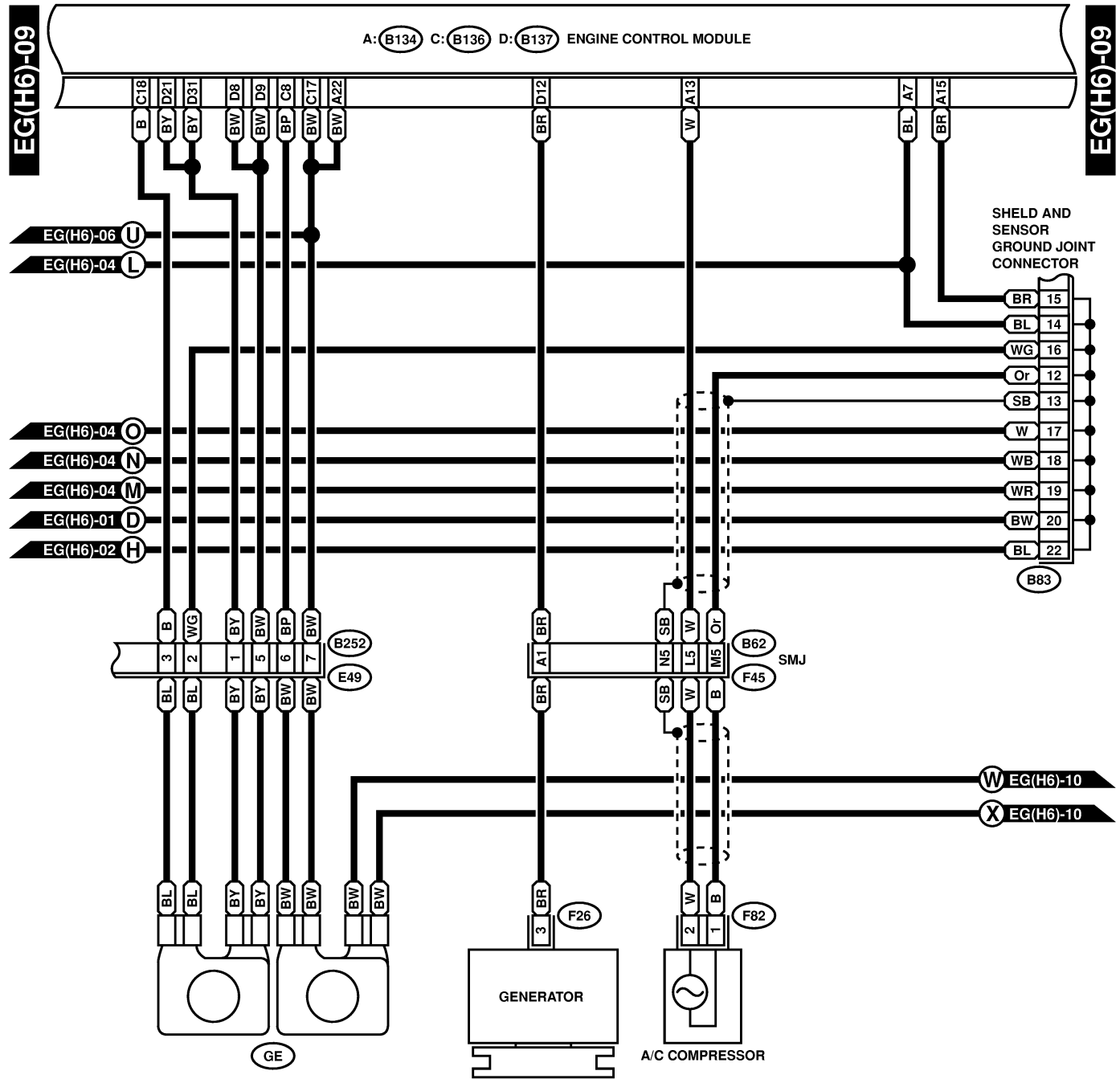


B: B135



ENGINE ELECTRICAL SYSTEM

Wiring System

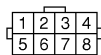


E26 (GREEN)

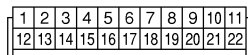
F82 (BLACK)



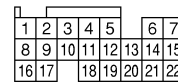
B252 (DARK GRAY)



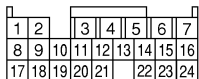
B83



A: B134



C: B136

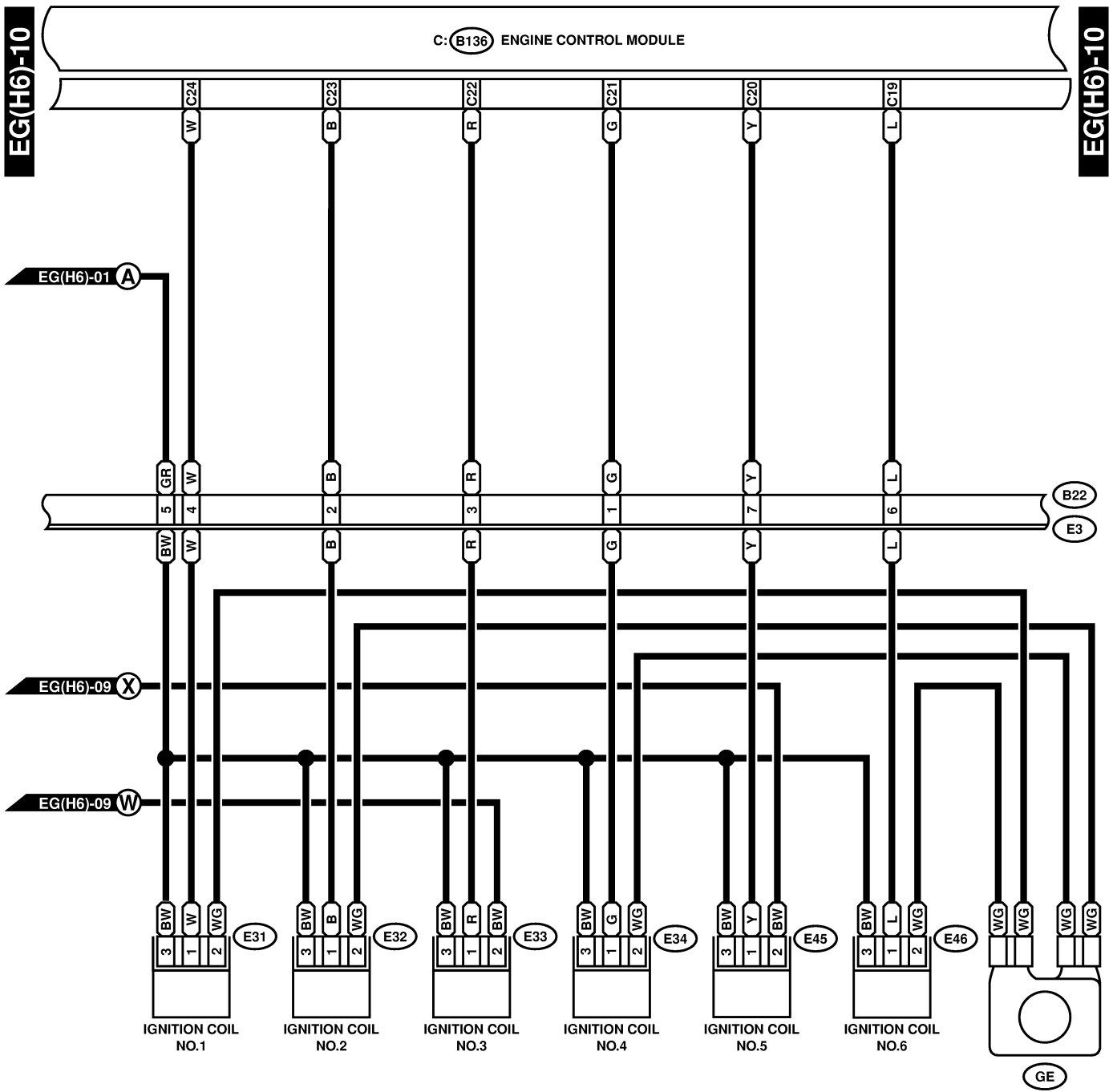


D: B137



ENGINE ELECTRICAL SYSTEM

Wiring System



- (BLACK) E31 E34
 - (BLACK) E32 E45 (BLACK)
 - E33 E46 (BLACK)
- | |
|---|
| 1 |
| 2 |
| 3 |

(BROWN) B22

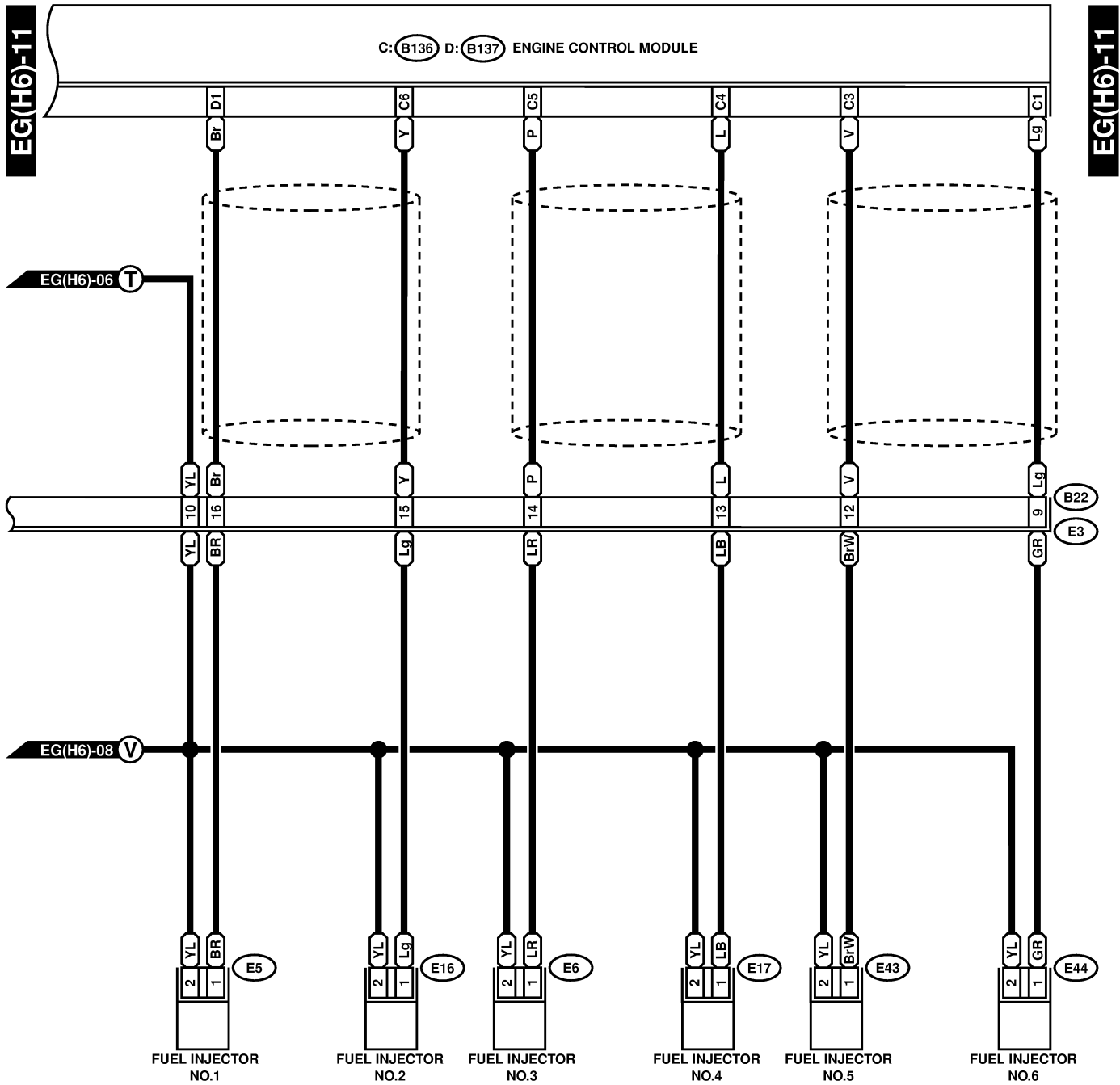
1	2	3	4
5	6	7	8
9	10	11	12
13	14	15	16

C: (B136)

1	2	3	4	5	6	7
8	9	10	11	12	13	14
15	16	17	18	19	20	21
22	23	24				

ENGINE ELECTRICAL SYSTEM

Wiring System



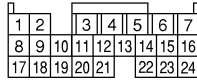
(GRAY) E5 (GRAY) E17
 (GRAY) E6 (GRAY) E43
 (GRAY) E16 (GRAY) E44



B22 (BROWN)



C: B136



D: B137

